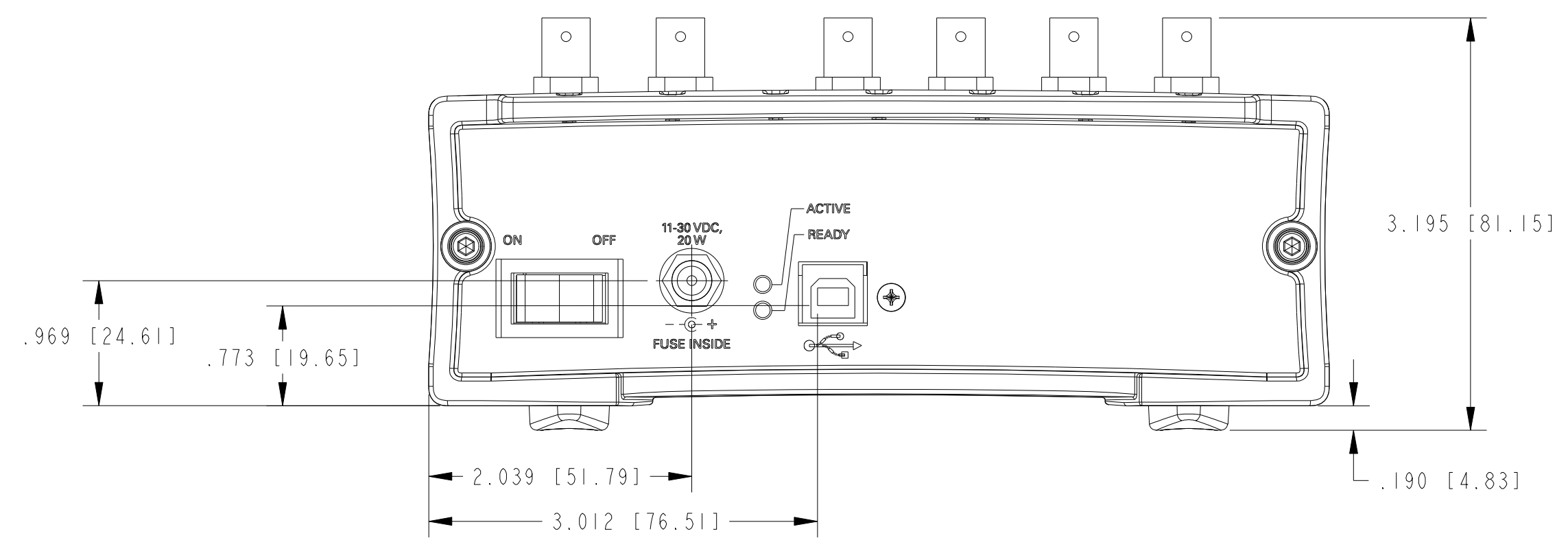
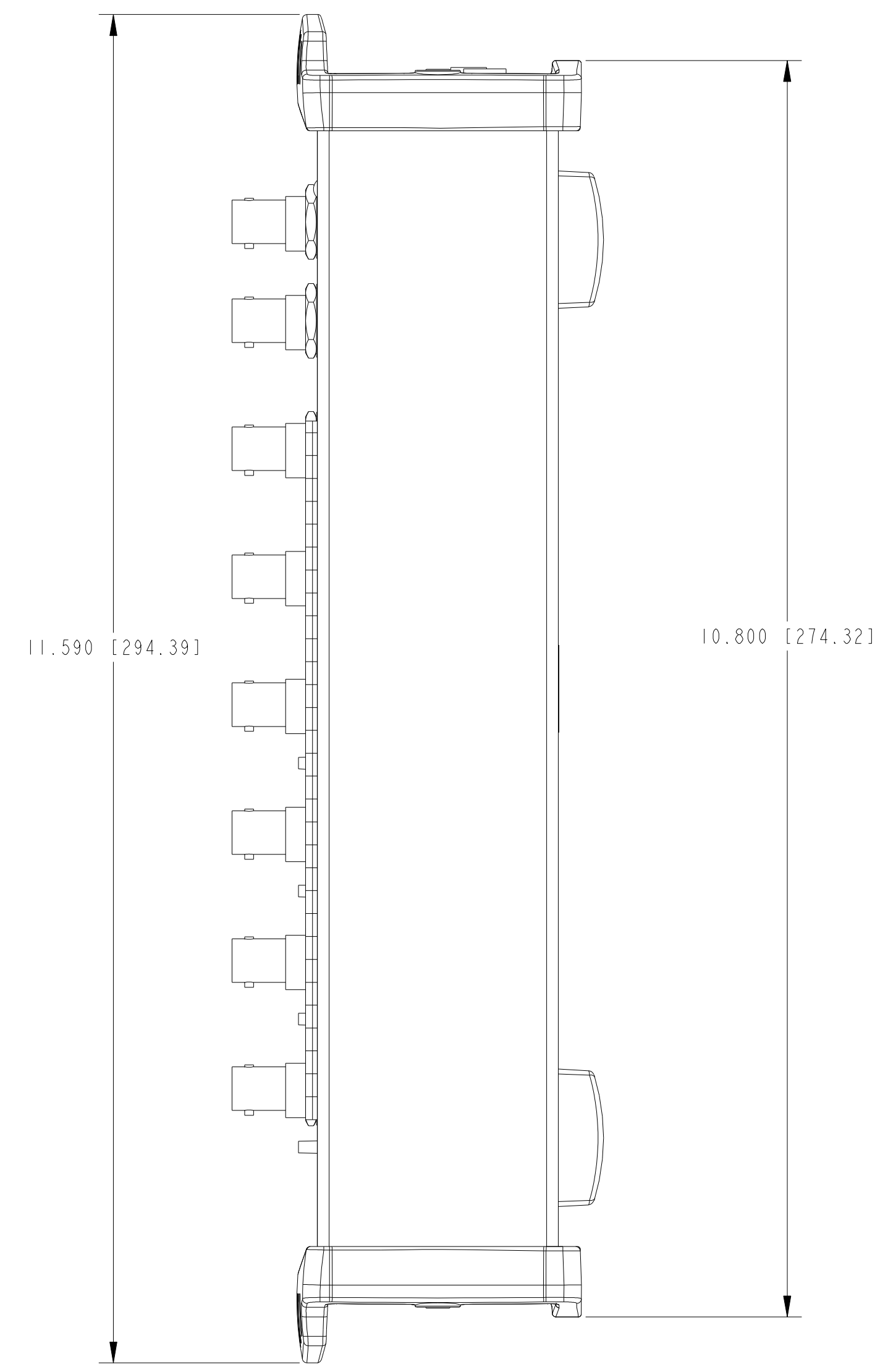
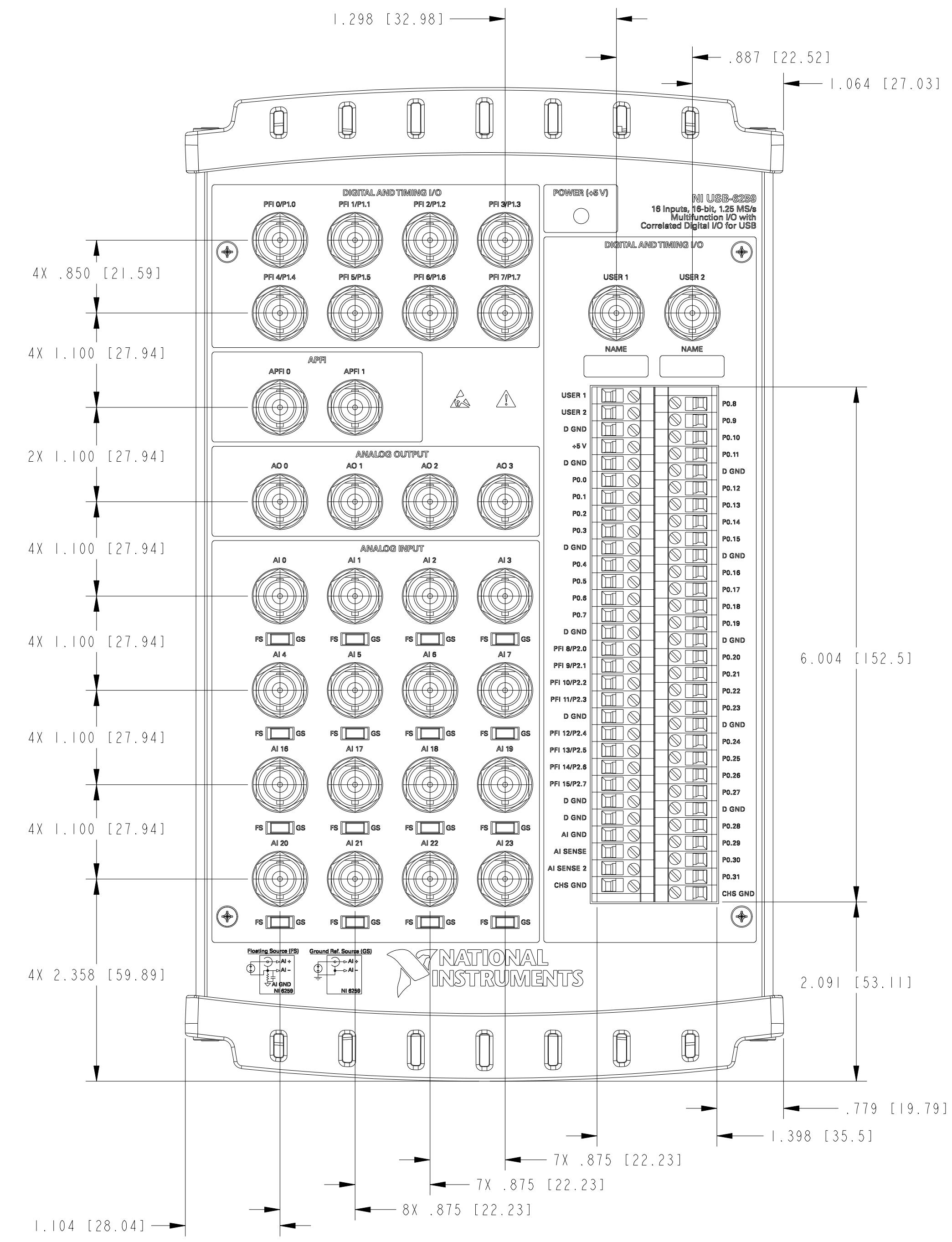


D
C
B
A



CUSTOMER DRAWING

UNLESS OTHERWISE SPECIFIED DIMENSIONS ARE IN INCHES AND (MILLIMETERS).

DO NOT SCALE DRAWING
 THIRD ANGLE PROJECTION

NATIONAL INSTRUMENTS® AUSTIN, TEXAS
 TITLE
 NI USB-6259 BNC

SIZE CODE IDENT NO MM/DD/YYYY
 D 7U296 10/31/07

SCALE: 1/1 SHEET 1 OF 1

8

7

6

5

4

3

2

1