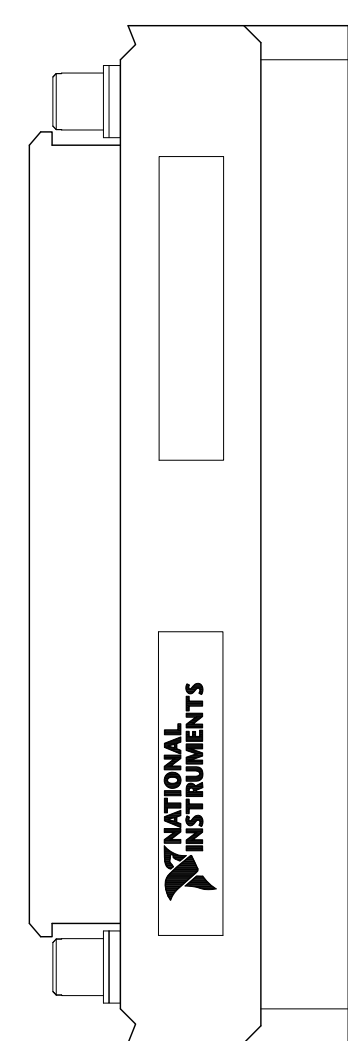
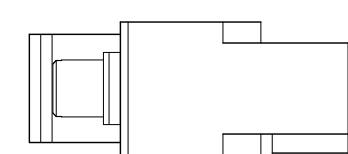
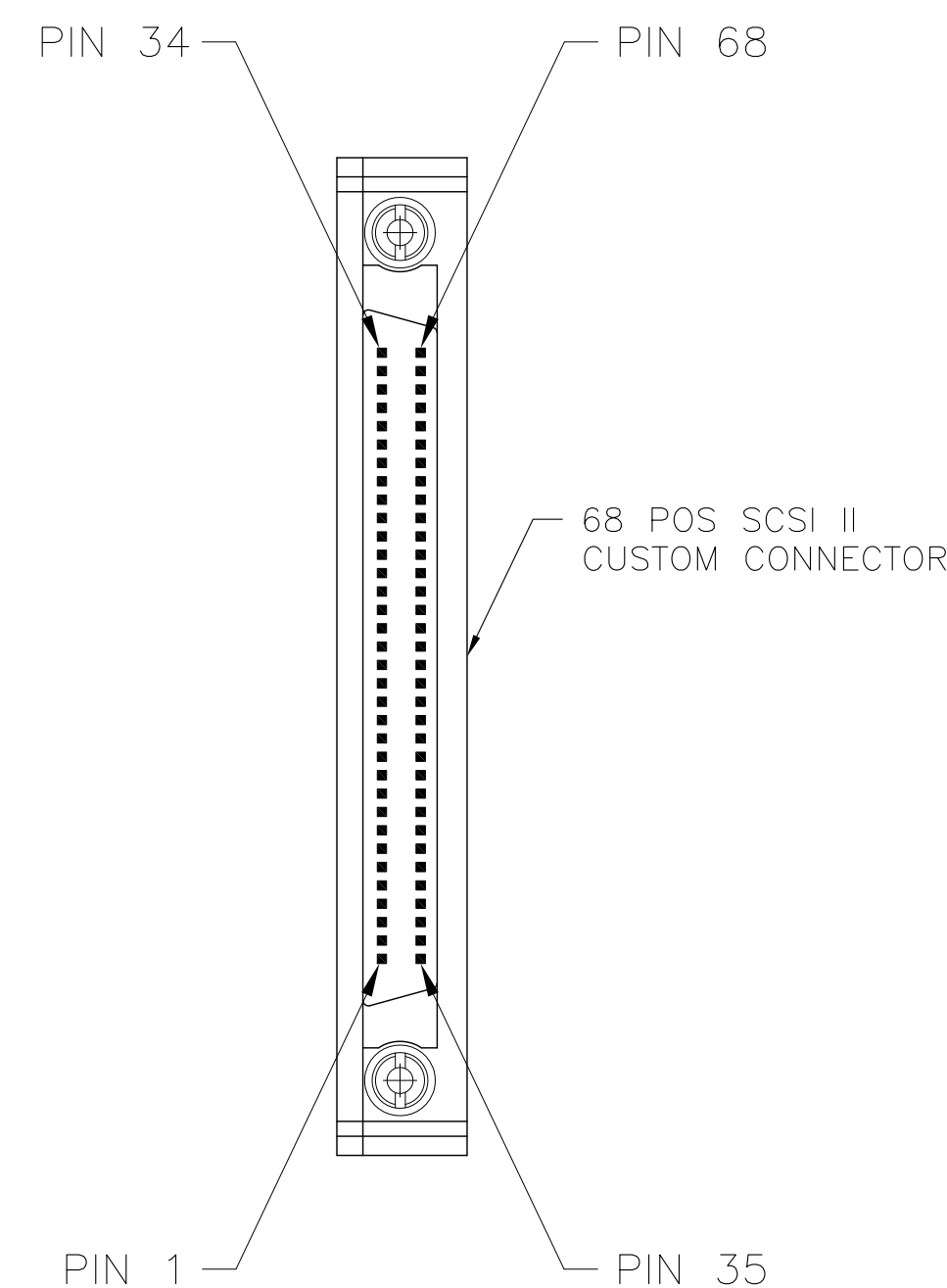
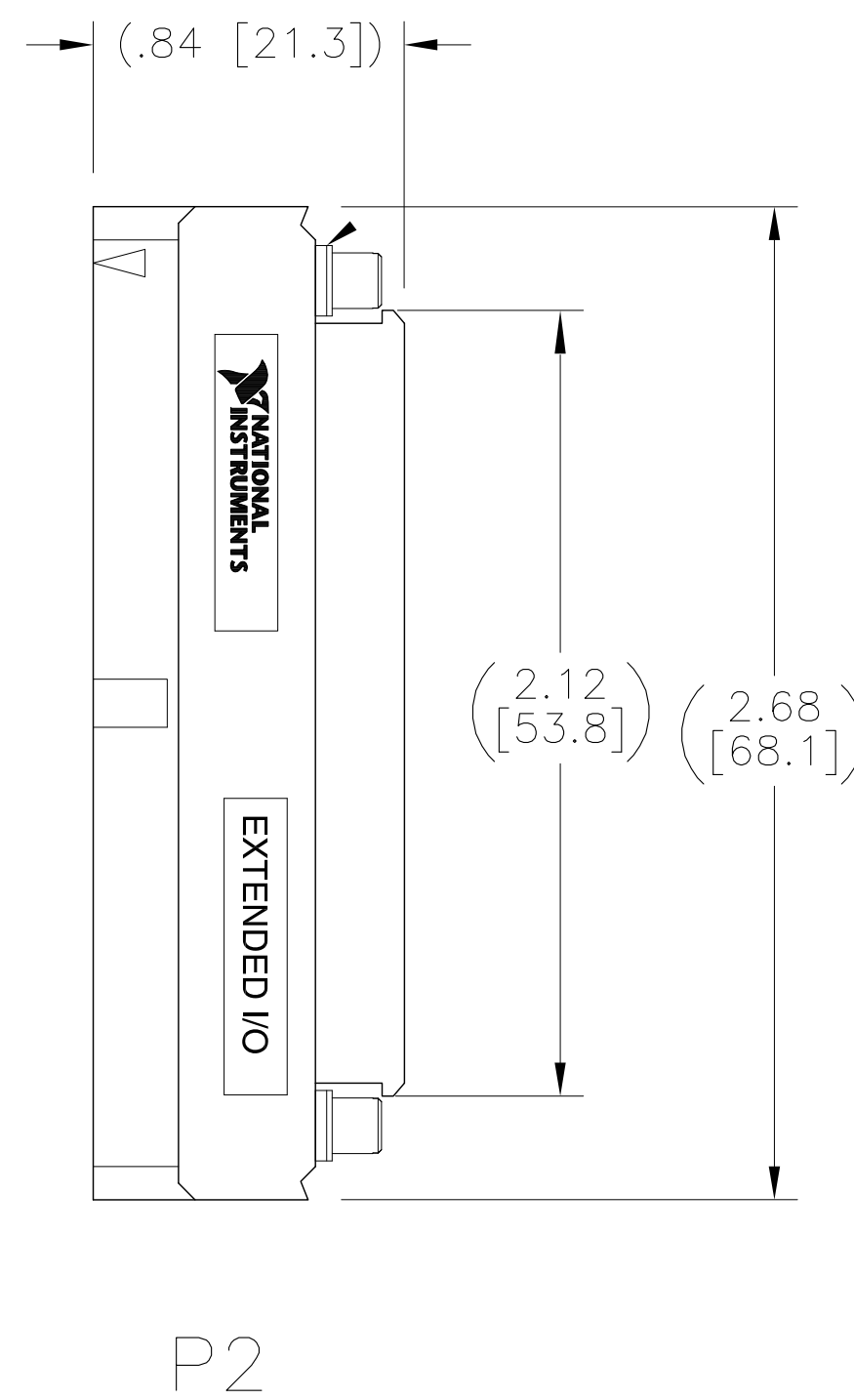
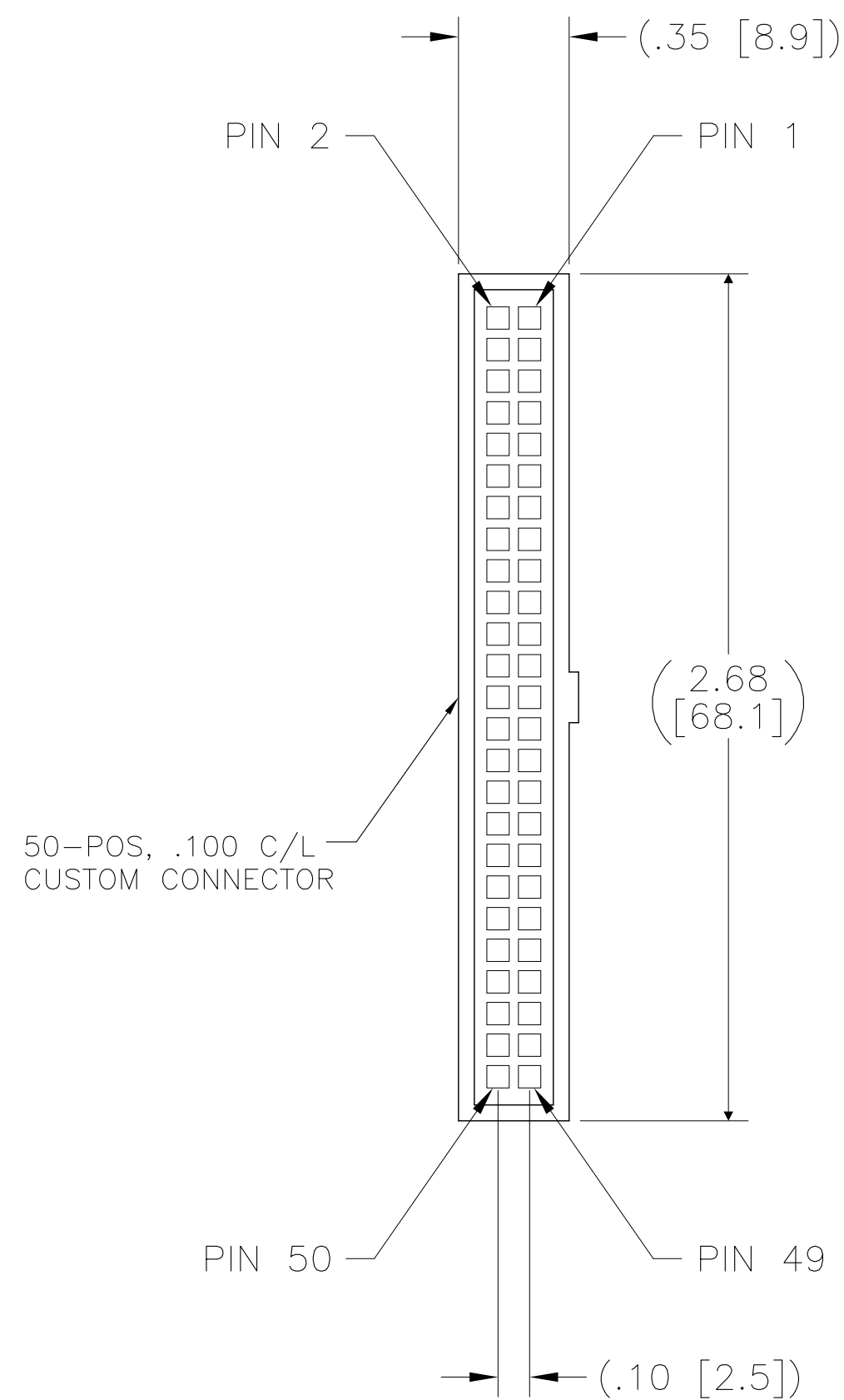


CUSTOMER DRAWING COMPATIBILITY			
REV	DESCRIPTION	DATE	APPROVED
A	DRAWING COMPATIBLE, OBSOLETE		
B	DRAWING COMPATIBLE, OBSOLETE		
C	DRAWING COMPATIBLE, OBSOLETE		
D	DRAWING COMPATIBLE, RELEASED		



P1



WIRE LIST		
P1 PIN NO	SIGNAL	P2 PIN NO
1	PC7	68
2	GND-2	34
3	PC6	33
4	GND-4	67
5	PC5	32
6	GND-6	66
7	PC4	65
8	GND-8	31
9	PC3	30
10	GND-10	64
11	PC2	29
12	GND-12	63
13	PC1	62
14	GND-14	28
15	PC0	27
16	GND-16	61
17	PB7	26
18	GND-18	60
19	PB6	59
20	GND-20	25
21	PB5	24
22	GND-22	58
23	PB4	23
24	GND-24	57
25	PB3	56
26	GND-26	22
27	PB2	55
28	GND-28	21
29	PB1	20
30	GND-30	54
31	PB0	19
32	GND-32	53
33	PA7	52
34	GND-34	18
35	PA6	17
36	GND-36	51
37	PA5	16
38	GND-38	50
39	PA4	49
40	GND-40	15
41	PA3	14
42	GND-42	48
43	PA2	13
44	GND-44	47
45	PA1	46
46	GND-46	12
47	PA0	11
48	GND-48	45
49	+5 VDC	10
50	GND-50	44

1. REFER TO PRODUCT MANUAL ON NI.COM FOR MORE DETAILS.  
 NOTES: UNLESS OTHERWISE SPECIFIED.

CUSTOMER DRAWING

UNLESS OTHERWISE SPECIFIED DIMENSIONS ARE IN INCHES AND [MILLIMETERS]	NATIONAL INSTRUMENTS® AUSTIN, TEXAS
	TITLE 68M-50F ADAPTER EXTENDED I/O
DO NOT SCALE DRAWING THIRD ANGLE PROJECTION	SIZE CODE IDENT NO. DRAWING NO. D 7U296 01/13/2017
	SCALE: 2/1 SHEET 1 OF 1