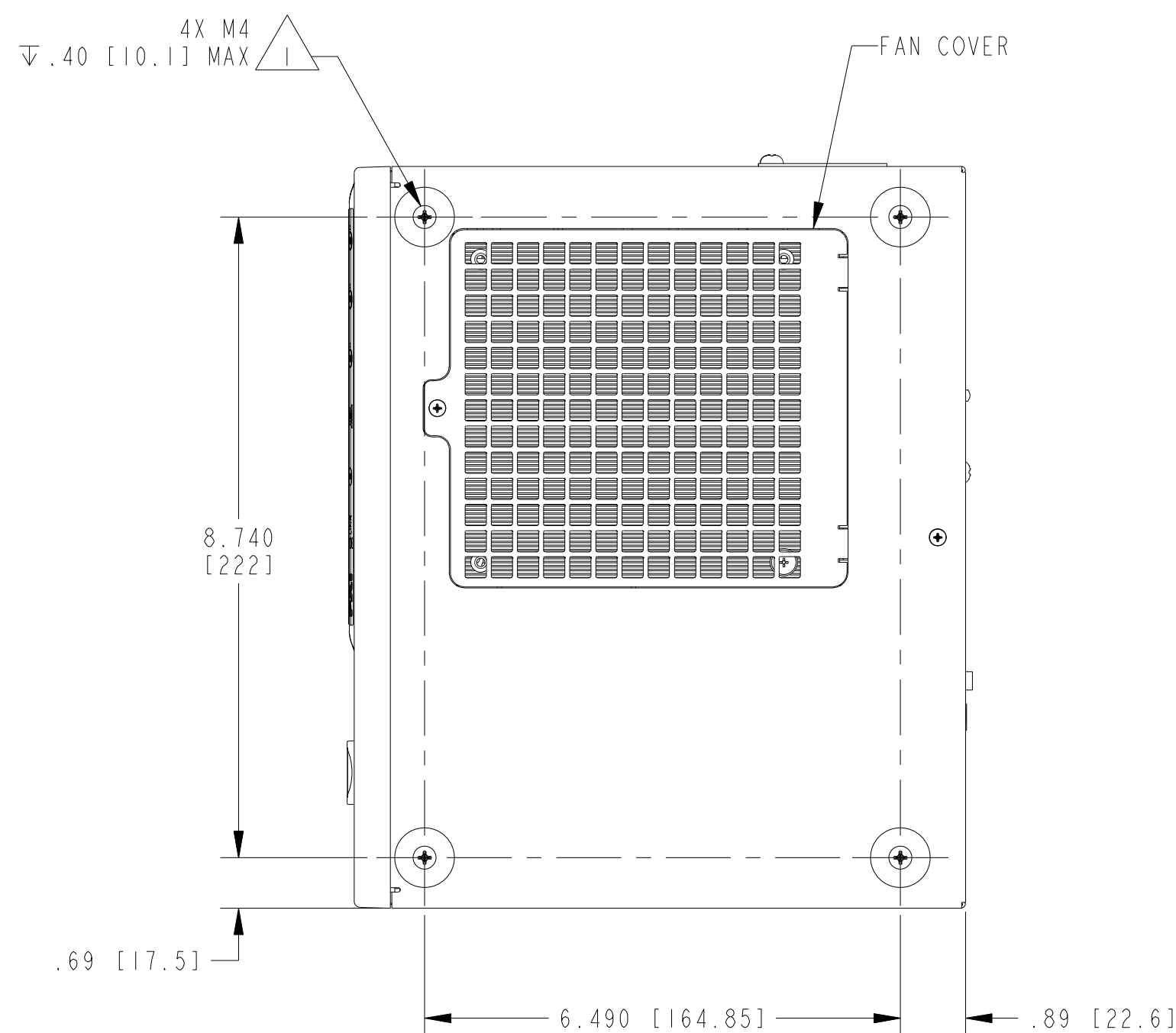


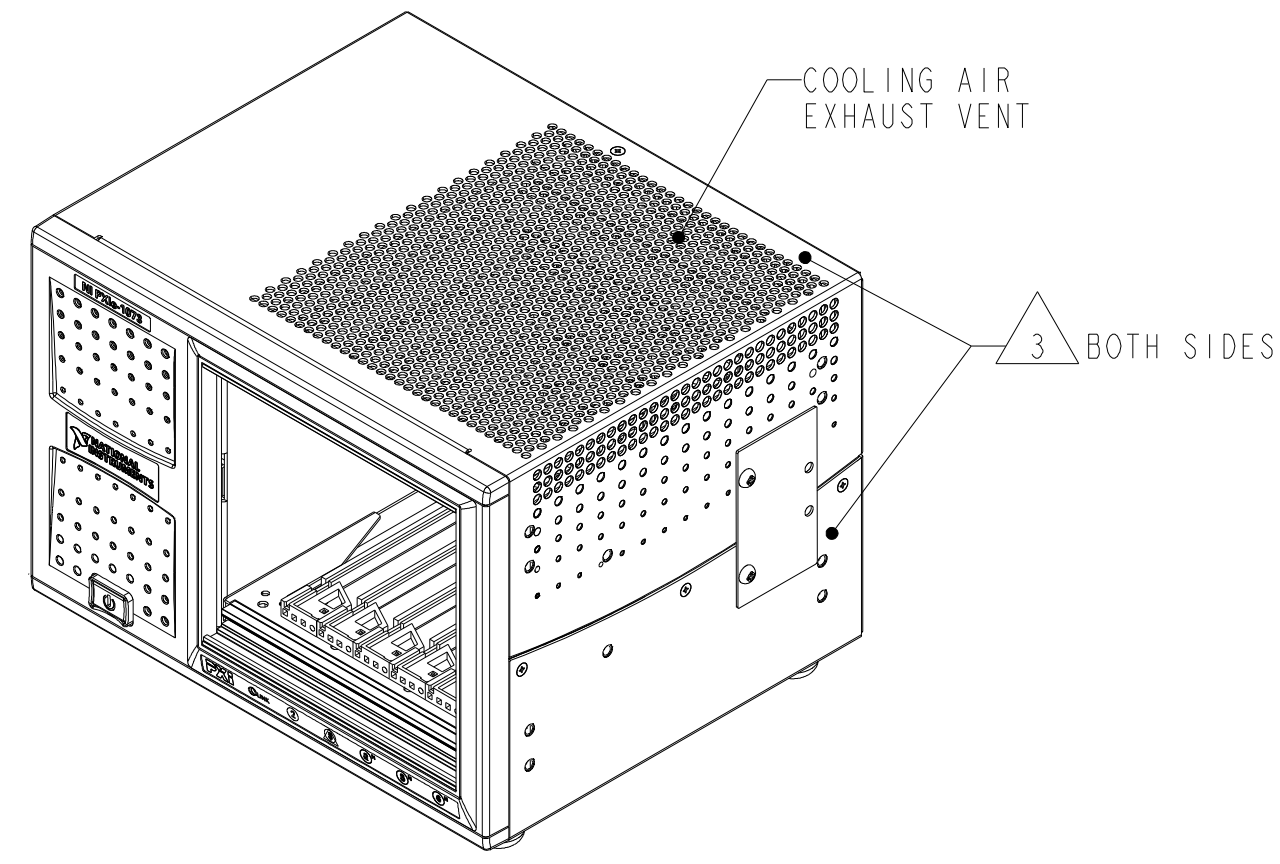
DETAIL A  
 SCALE 1/1



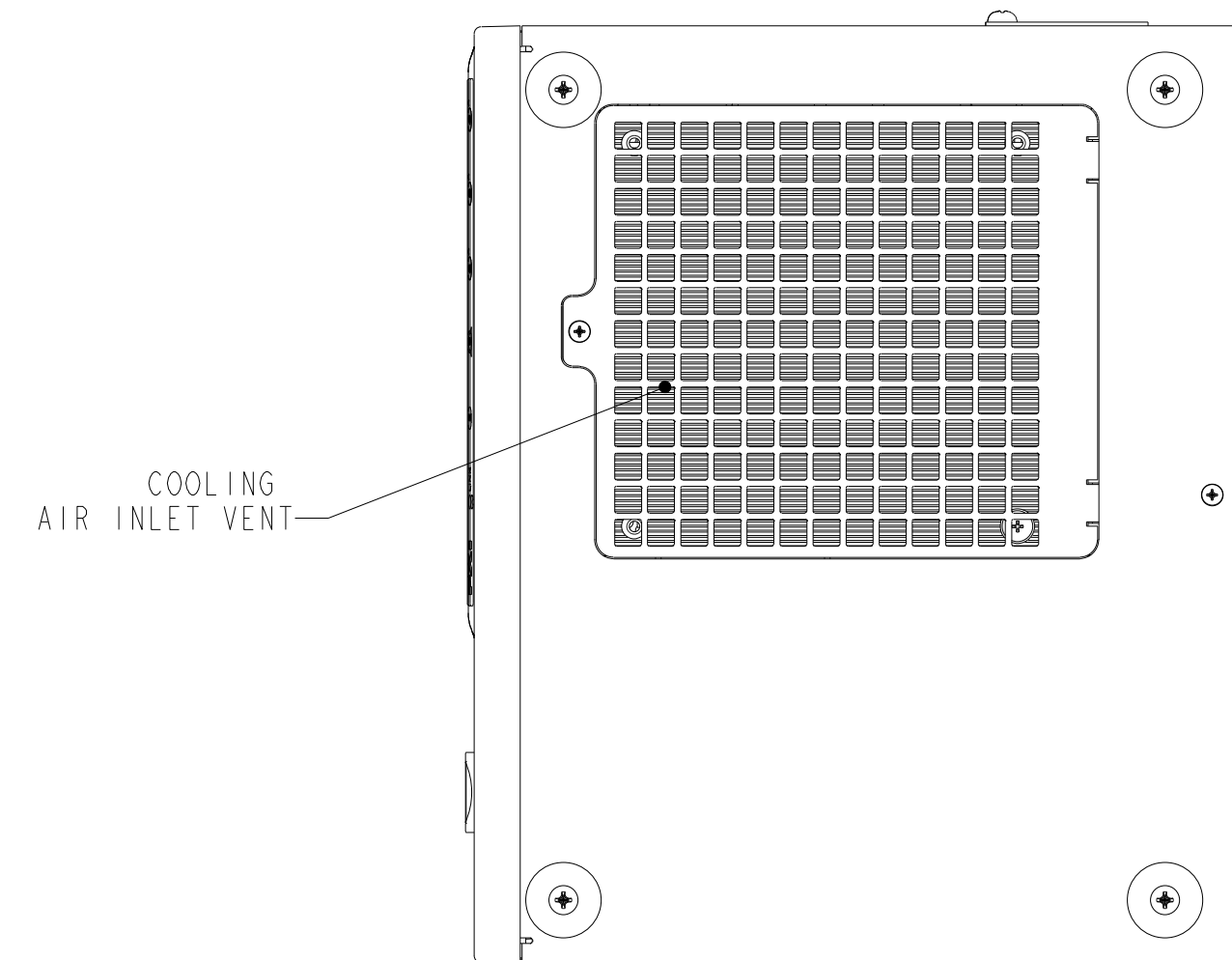
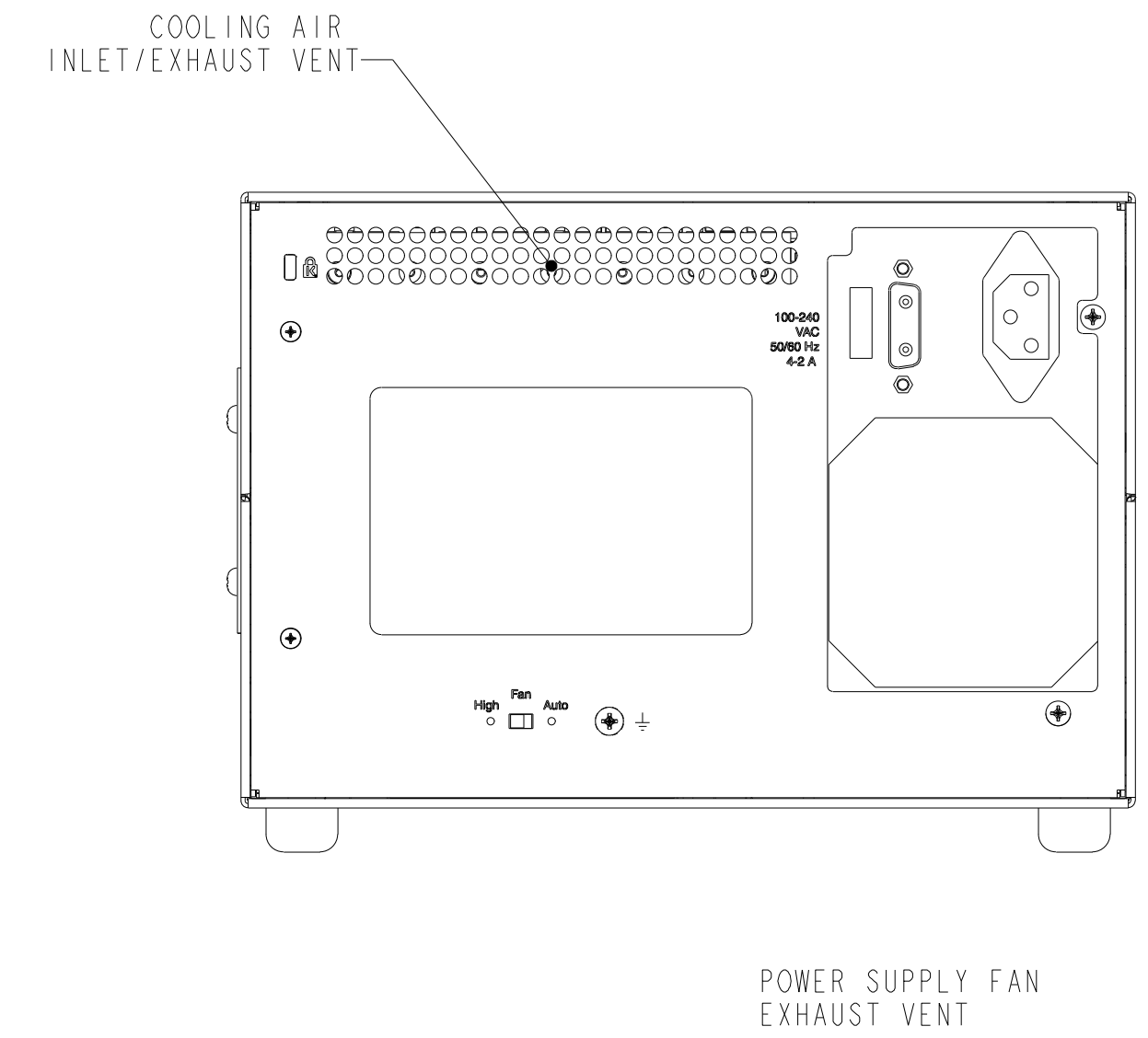
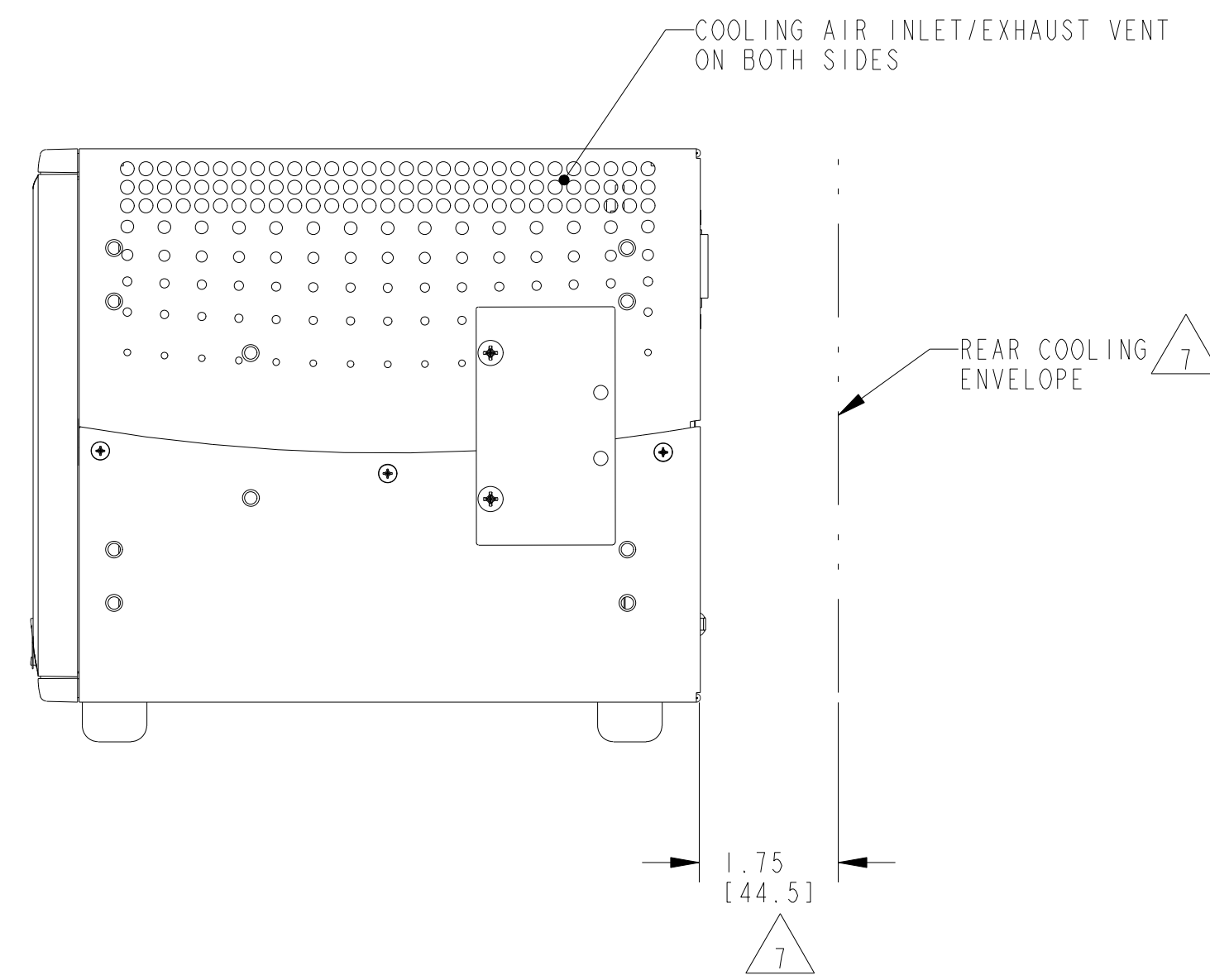
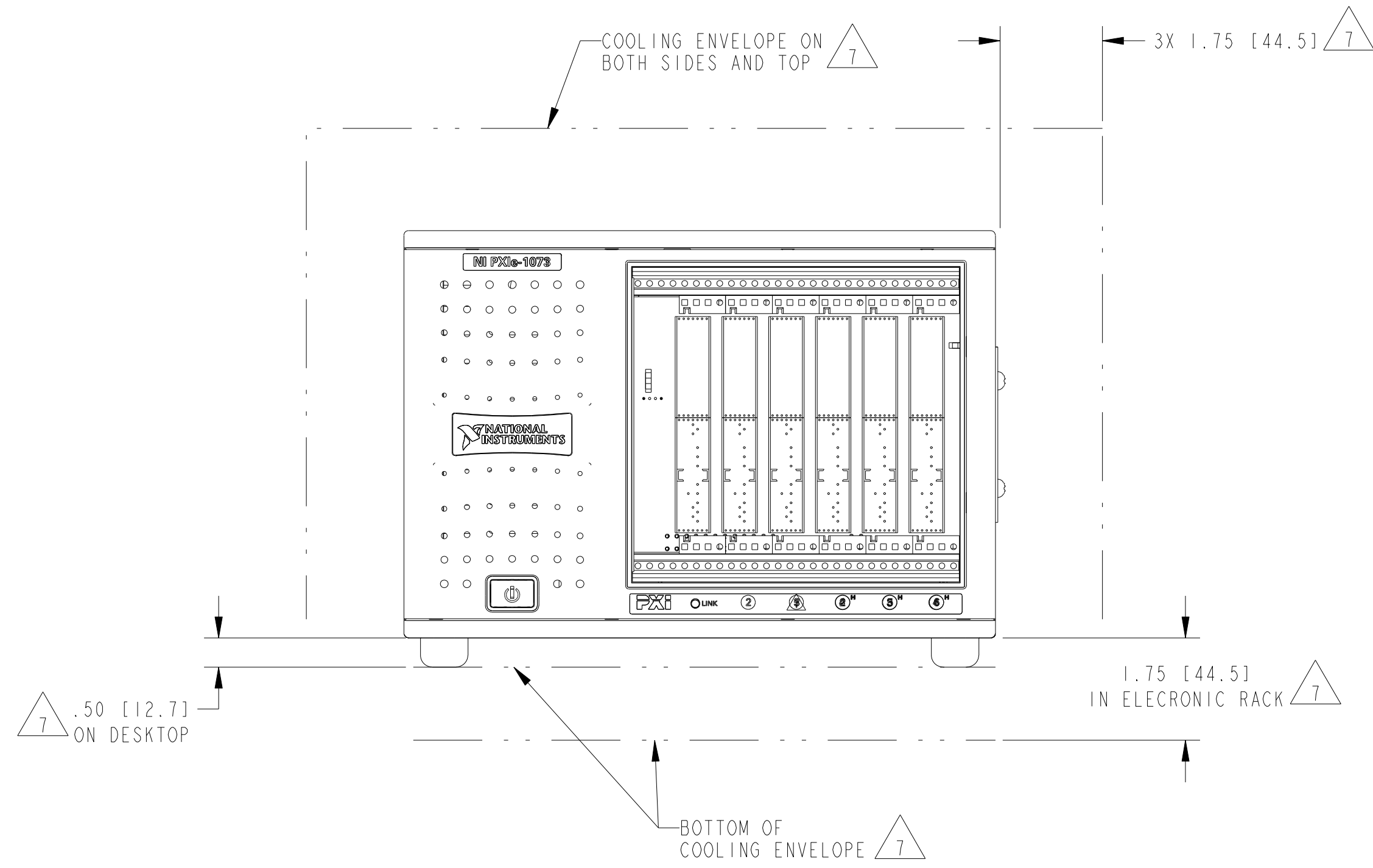
- 8. REFER TO PRODUCT MANUAL ON NI.COM FOR MORE DETAILS.
- 7. USER MUST PROVIDE MINIMUM COOLING/VENTING CLEARANCE AS SHOWN. FAILURE TO PROVIDE THIS CLEARANCE MAY RESULT IN CHASSIS OR MODULE THERMAL RELATED FAILURES.
- 6. BRUSHED METAL FINISH.
- 5. WHITE PC-ABS COLOR.
- 4. NI COMPASS BLUE PC-ABS COLOR.
- 3. NI COMPASS WHITE COLOR.
- 2. THERE ARE FOUR HOLES ON EACH SIDE OF CHASSIS FOR OPTIONAL RACK MOUNT KIT.
- 1. FOUR M4 THREAD BOTTOM FEET MOUNTING HOLES MAY BE USED FOR MOUNTING CHASSIS IN CUSTOM APPLICATIONS.

NOTES: UNLESS OTHERWISE SPECIFIED.

UNLESS OTHERWISE SPECIFIED DIMENSIONS ARE IN INCHES AND [MILLIMETERS].	NATIONAL INSTRUMENTS® AUSTIN, TEXAS	
	TITLE CUSTOMER DRAWING, PXI CHASSIS, 6-SLOT DC	
DO NOT SCALE DRAWING THIRD ANGLE PROJECTION	SIZE CODE IDENT NO   MM/DD/YYYY D   7U296   10/06/2011	SHEET 1 OF 2 CU-PXI-6-SLOT-DC-CHASSIS
	SCALE: 1/2	



SCALE 1/3



COOLING INFORMATION