

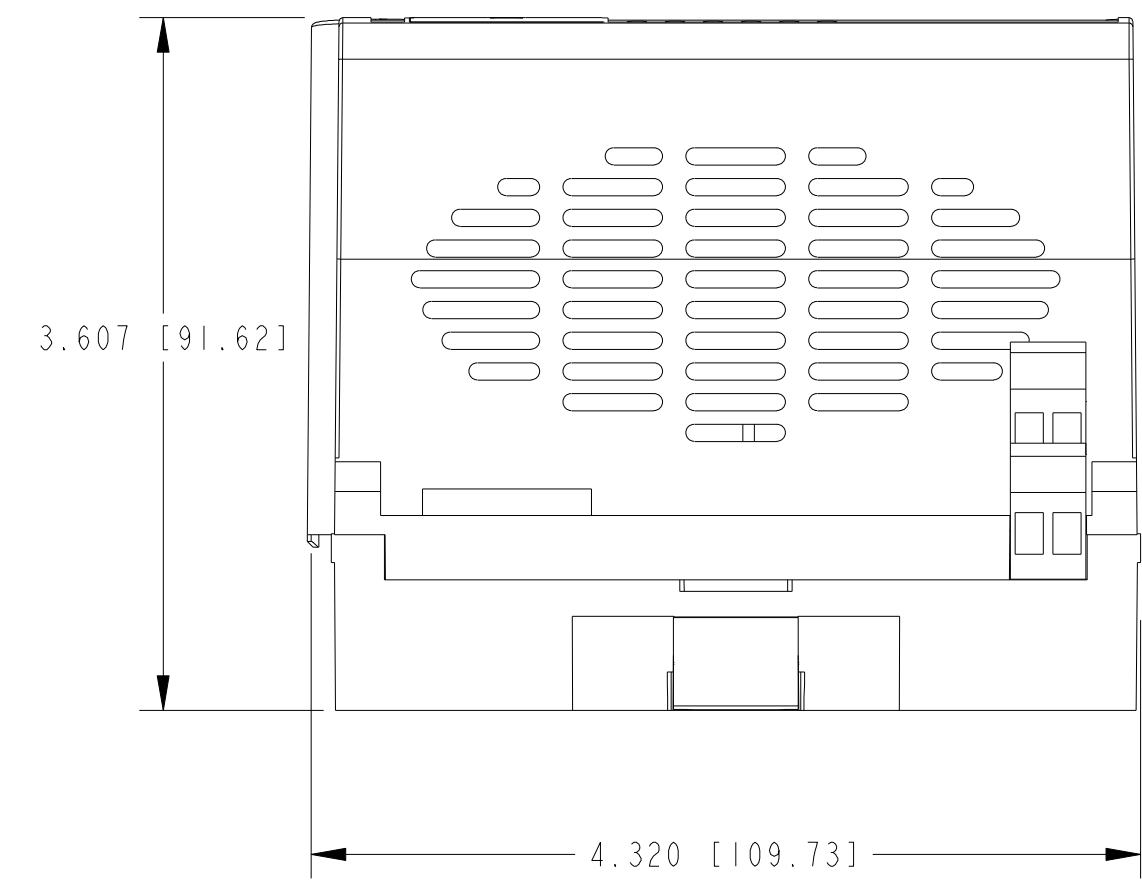
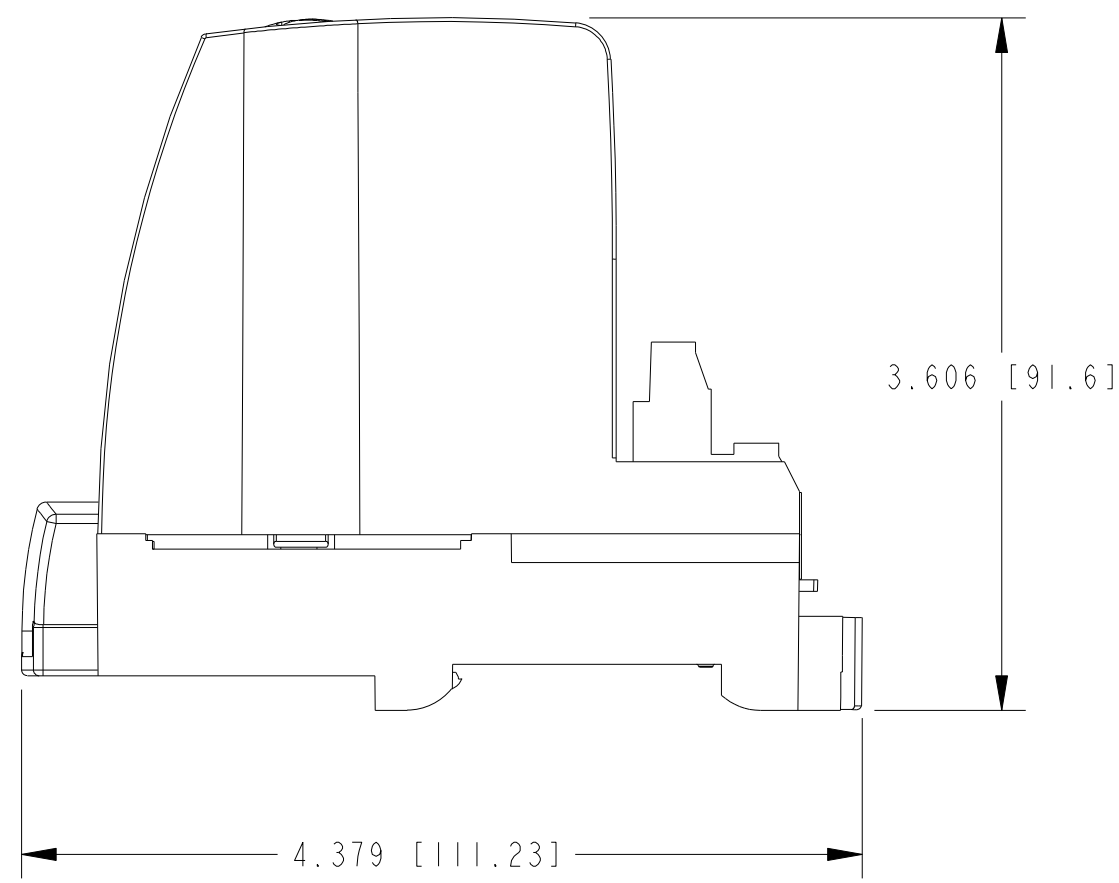
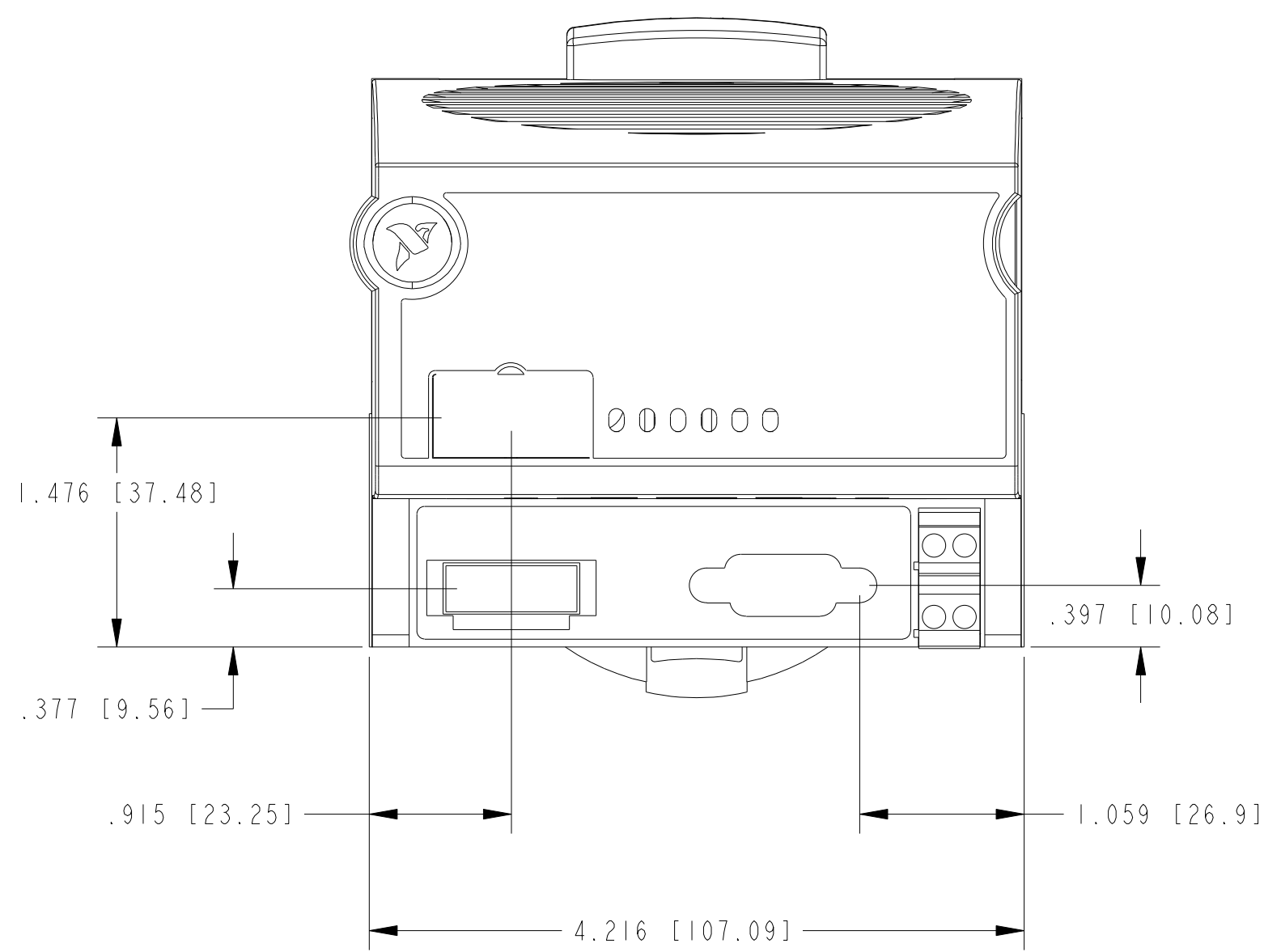
4

3

2

1

COPYRIGHT ©2007  
NATIONAL INSTRUMENTS CORPORATION AND ITS LICENSORS. ALL RIGHTS RESERVED.

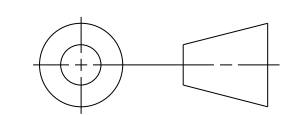


CUSTOMER DRAWING

UNLESS OTHERWISE SPECIFIED  
DIMENSIONS ARE IN INCHES AND  
[MILLIMETERS].

DO NOT SCALE DRAWING

THIRD ANGLE PROJECTION



<b>NATIONAL INSTRUMENTS®</b>		AUSTIN, TEXAS
TITLE		
POWER SUPPLY PS-4		
SIZE	CODE IDENT NO.	MM/DD/YYYY
C	7U296	08/17/2007
SCALE:	1/1	SHEET 1 OF 1

4

3

2

1