

4

3

2

1

COPYRIGHT ©2007
NATIONAL INSTRUMENTS CORPORATION AND ITS LICENSORS. ALL RIGHTS RESERVED.

D

D

C

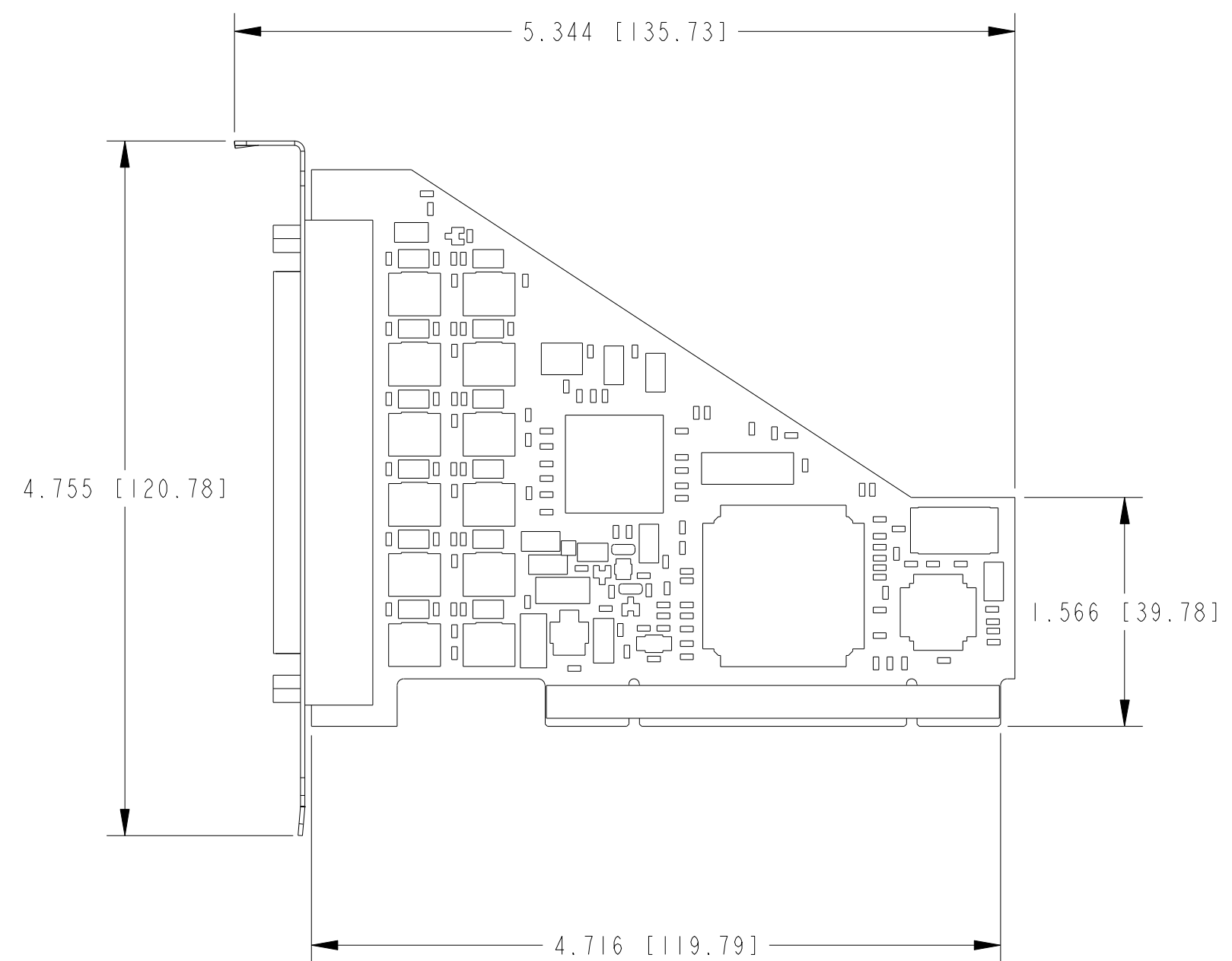
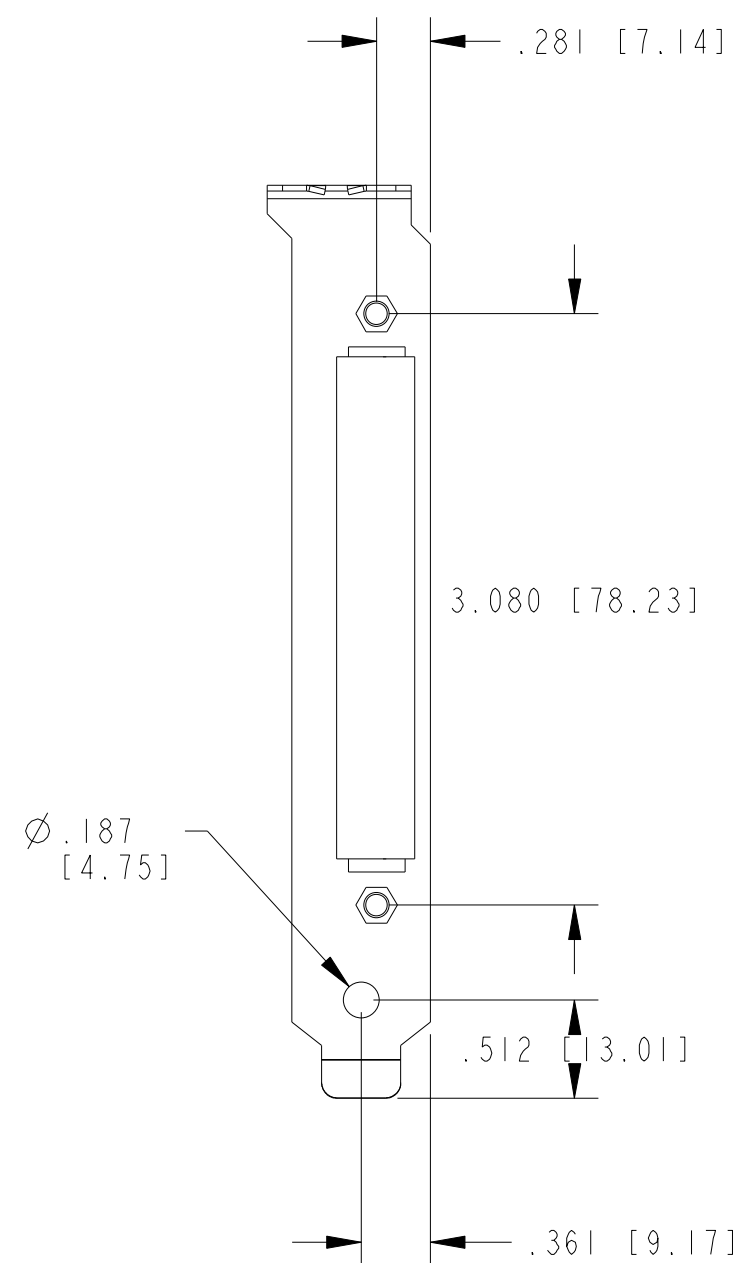
C

B

B

A

A

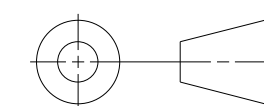


CUSTOMER DRAWING

UNLESS OTHERWISE SPECIFIED
DIMENSIONS ARE IN INCHES AND
[MILLIMETERS].

DO NOT SCALE DRAWING

THIRD ANGLE PROJECTION



AUSTIN, TEXAS

TITLE

PCI-6509
STATIC 96 DIGITAL I/O

SIZE CODE IDENT NO. MM/DD/YYYY

C7U296

11/02/07

SCALE: 1/1

SHEET 1 OF 1

4

3

2

1