

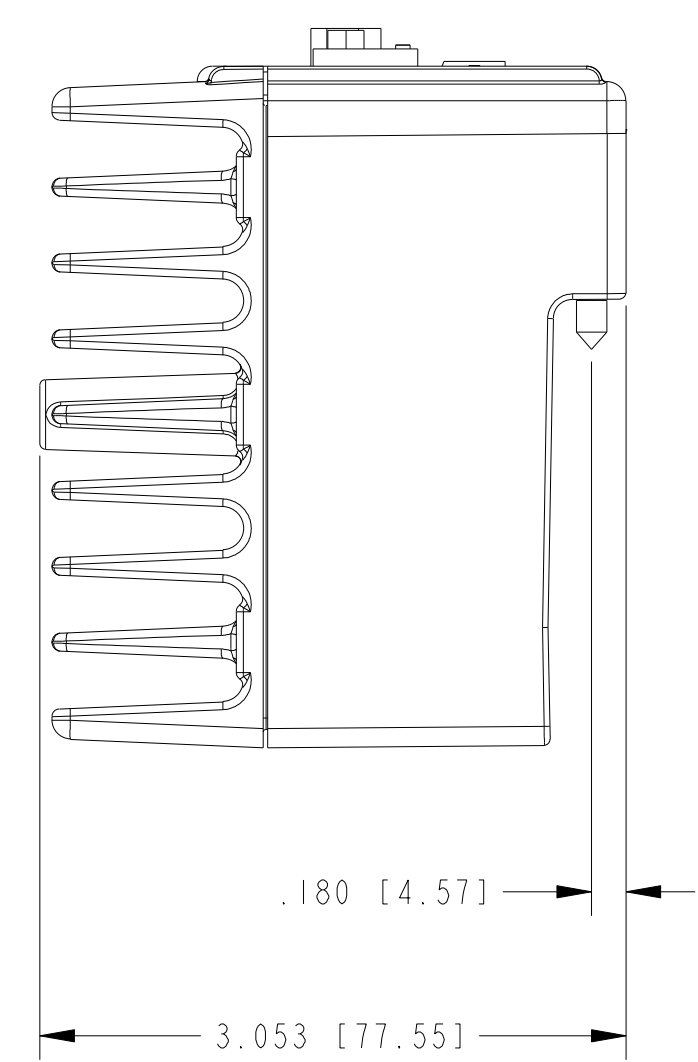
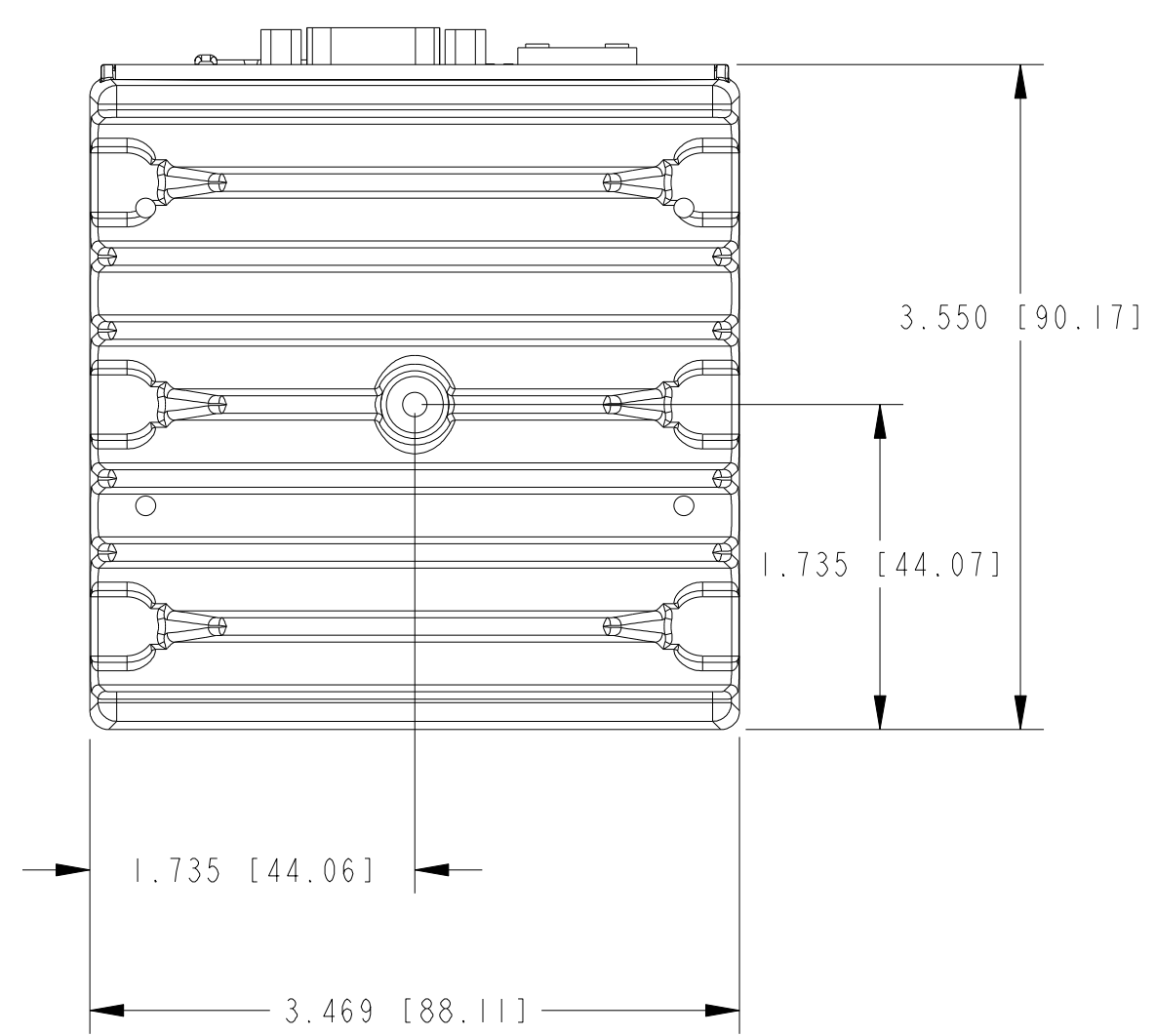
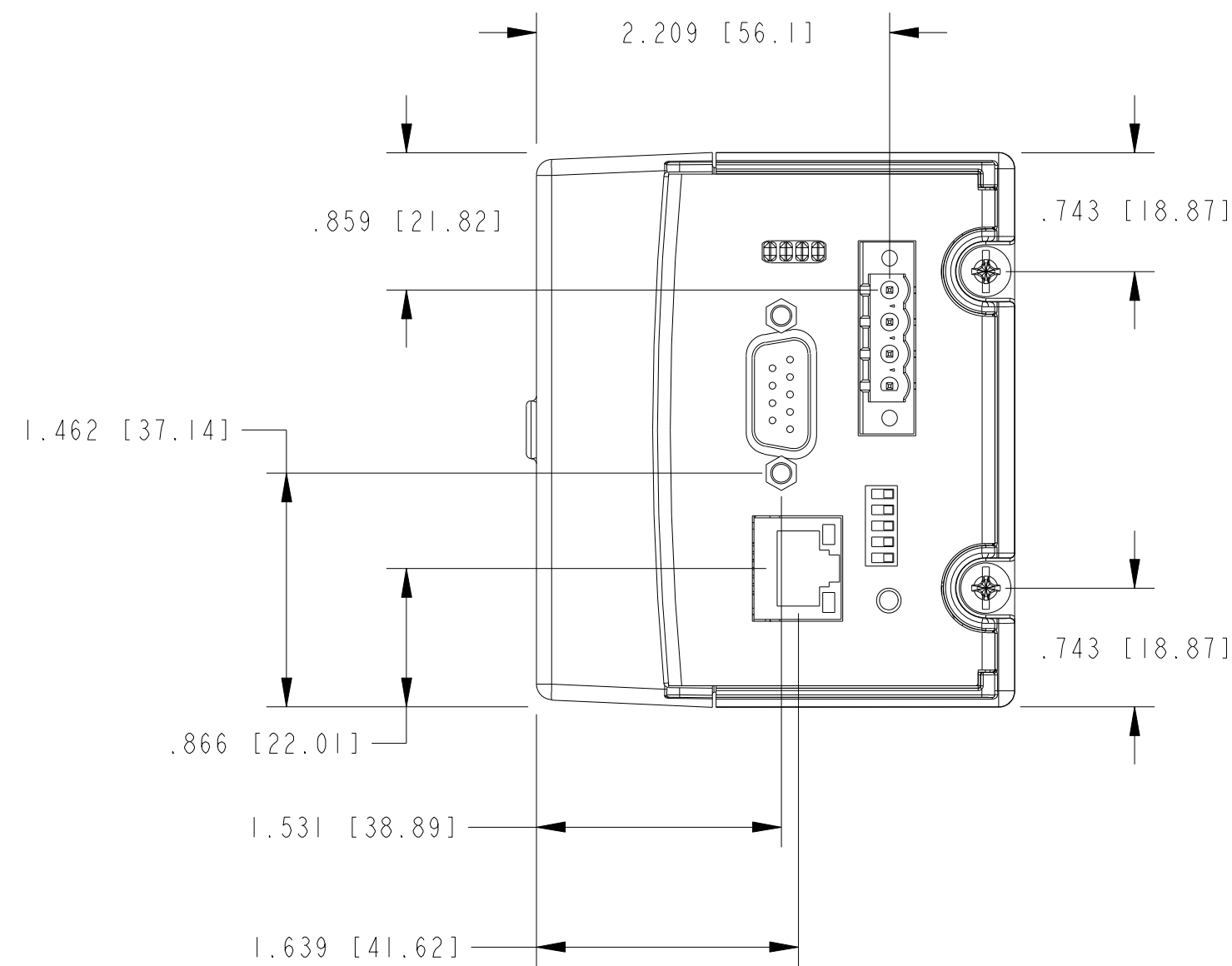
4

3

2

1

COPYRIGHT ©2007
NATIONAL INSTRUMENTS CORPORATION AND ITS LICENSORS. ALL RIGHTS RESERVED.

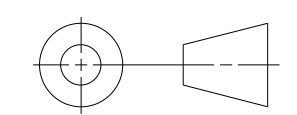


CUSTOMER DRAWING

UNLESS OTHERWISE SPECIFIED
DIMENSIONS ARE IN INCHES AND
[MILLIMETERS].

DO NOT SCALE DRAWING

THIRD ANGLE PROJECTION



NATIONAL INSTRUMENTS® AUSTIN, TEXAS

TITLE
C SERIES CONTROLLER

SIZE CODE IDENT NO. MM/DD/YYYY
C 7U296 08/02/2007

SCALE: 1/1 SHEET 1 OF 1

4

3

2

1