

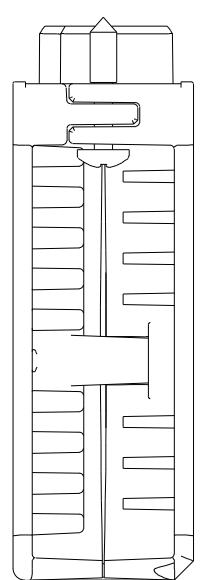
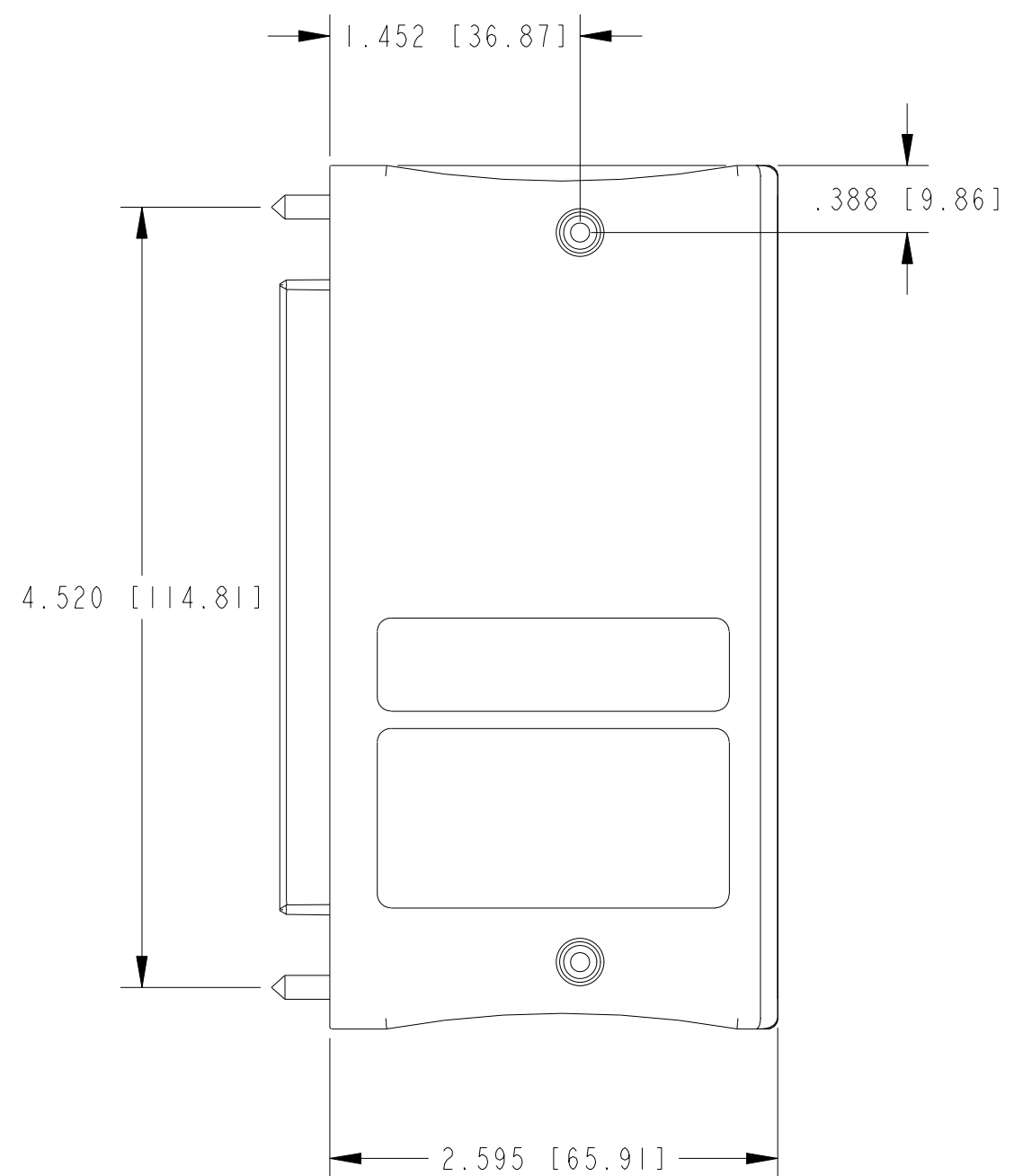
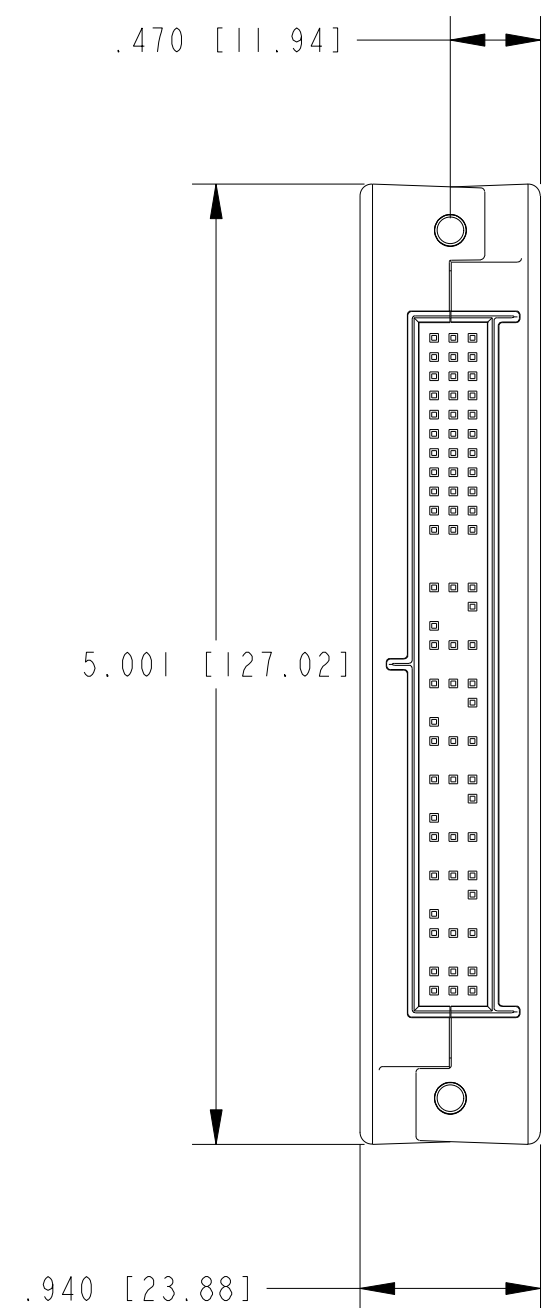
4

3

2

1

COPYRIGHT © NATIONAL INSTRUMENTS CORPORATION AND ITS LICENSORS. ALL RIGHTS RESERVED.

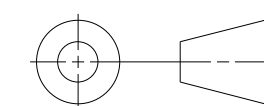


CUSTOMER DRAWING

UNLESS OTHERWISE SPECIFIED DIMENSIONS ARE IN INCHES AND [MILLIMETERS].

DO NOT SCALE DRAWING

THIRD ANGLE PROJECTION



NATIONAL INSTRUMENTS® AUSTIN, TEXAS

TITLE
Compact Field Point
Single Wide Module

SIZE CODE IDENT NO. MM/DD/YYYY
C 7U296 08/09/07

SCALE: 1/1 SHEET 1 OF 1

CU_CFP_10MOD_SINGLE

4

3

2

1

D

D

C

C

B

B

A

A