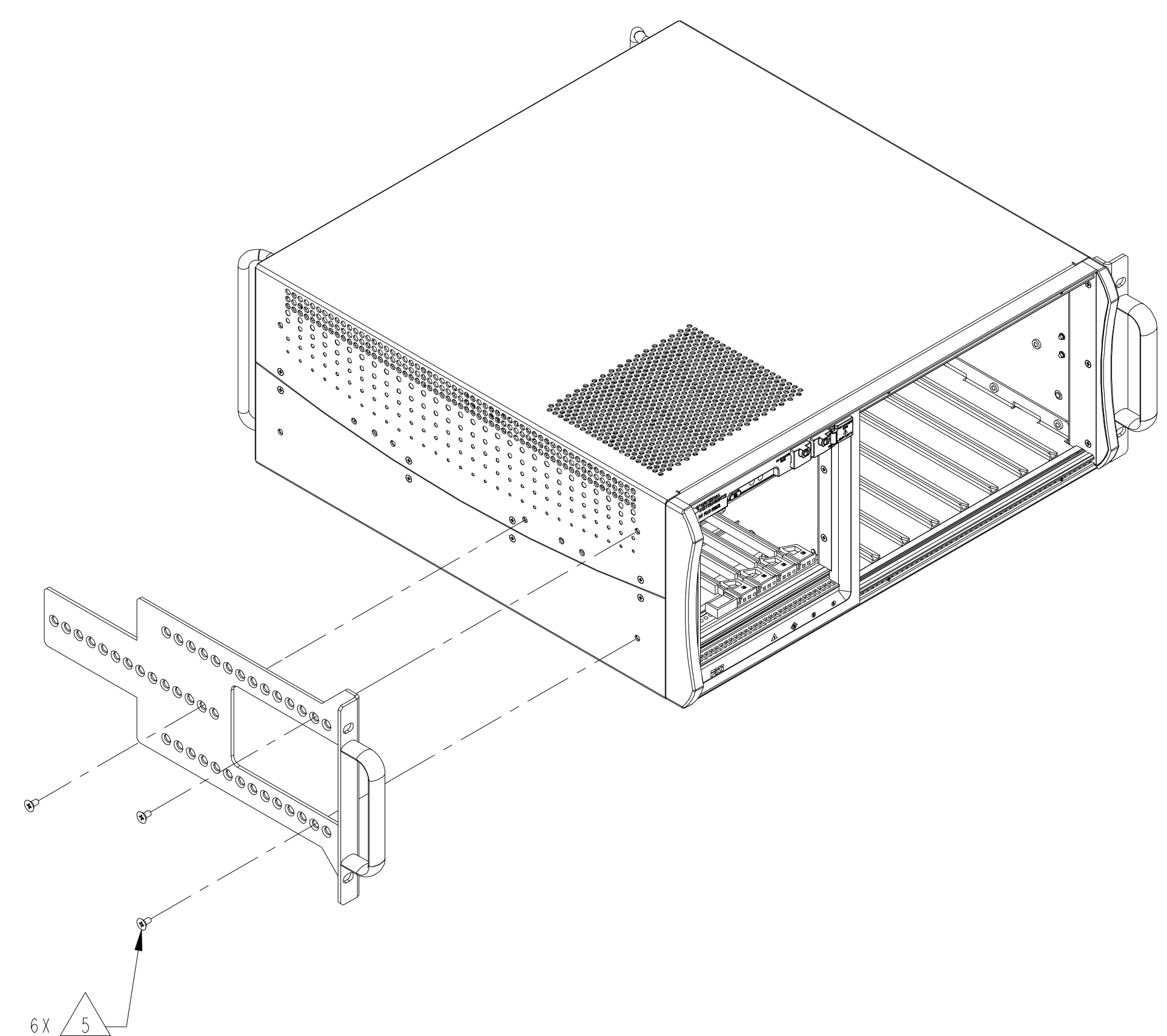
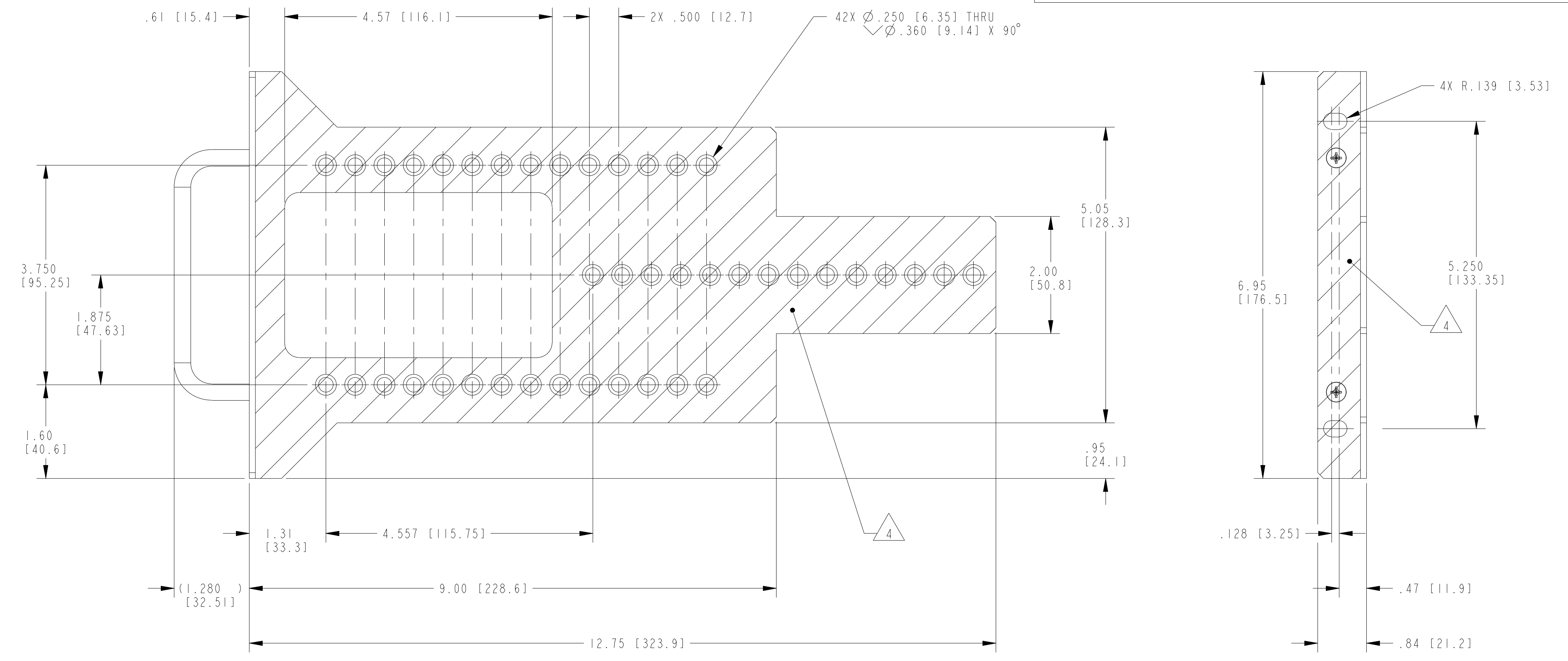


This document contains confidential and proprietary information which is the property of National Instruments Corporation. This proprietary information is supplied to the possessor pursuant to the possessor's agreement to do the following:

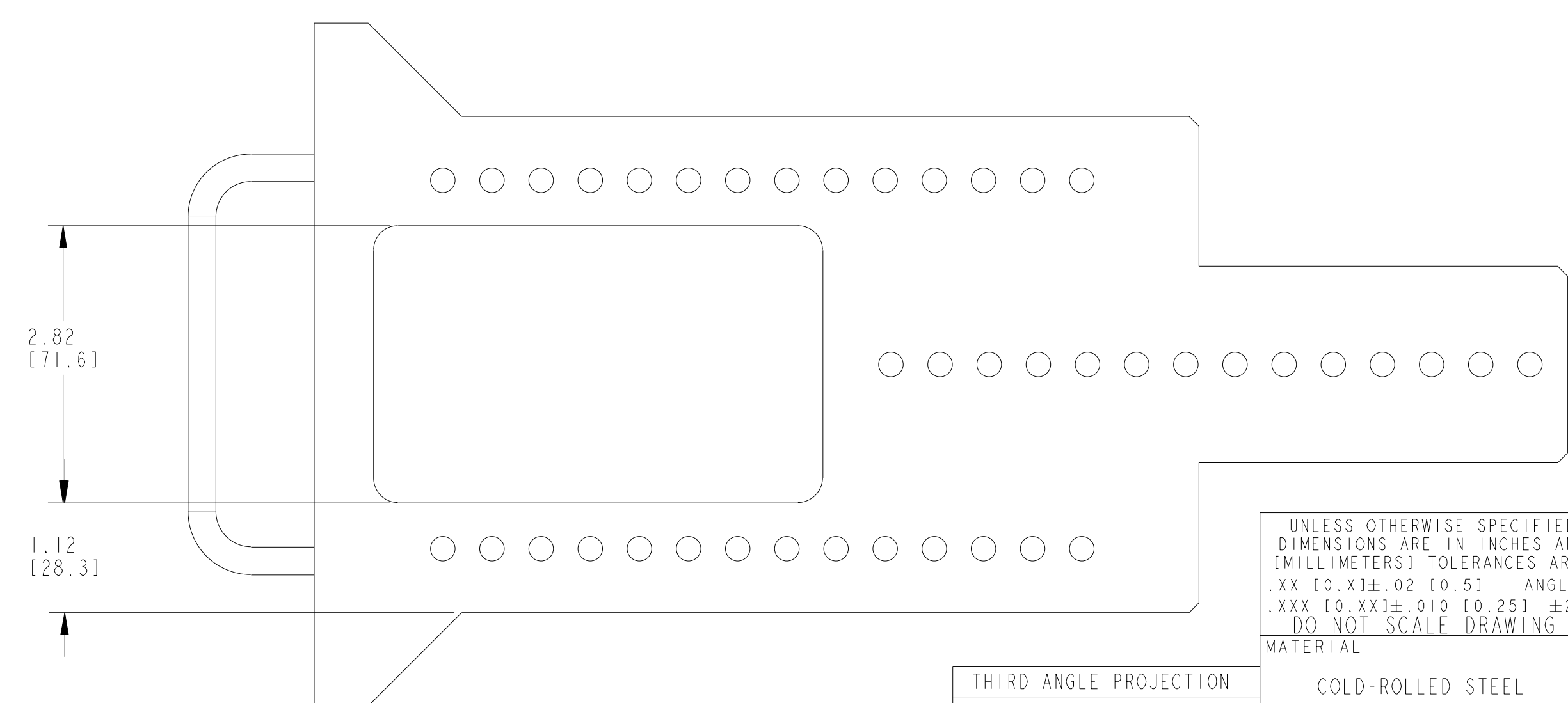
1. to maintain this document in confidence;
2. not to reproduce, publish or copy it in whole or in part without written permission; and
3. not to use this document as a basis for the manufacture or sale of goods without written permission.

© COPYRIGHT 2004  
NATIONAL INSTRUMENTS CORPORATION. ALL RIGHTS RESERVED.

REVISION HISTORY IS CONTROLLED IN AN ELECTRONIC DATABASE. CONTACT NI FOR REVISION DETAILS IF NEEDED.



INSTALLATION DETAIL  
SCALE: 3/10



- 5 MOUNTING HARDWARE PROVIDED WITH RACK MOUNT KIT.
  - 4 HATCHED AREA SHALL BE KEPT FREE FROM PAINT.
  - 3 ALL SURFACES PAINTED NI WHITE.
  - 2 NICKEL PLATED PRIOR TO PAINTING.
1. DIMENSION IN ( ) ARE FOR REFERENCE ONLY.  
NOTES: UNLESS OTHERWISE SPECIFIED.

UNLESS OTHERWISE SPECIFIED DIMENSIONS ARE IN INCHES AND [MILLIMETERS] TOLERANCES ARE: .XX [0.X]±.02 [0.5] ANGLES: .XXX [0.XX]±.010 [0.25] ±2° DO NOT SCALE DRAWING		DESIGN TEAM	NATIONAL INSTRUMENTS® AUSTIN, TEXAS
MATERIAL COLD-ROLLED STEEL		DRAWN J. TALBOTT 2/26/04	
FINISH 2 3 4		CHECKER MECHANICAL ENGINEER V. TOTH	TITLE FRONT RACK MOUNT KIT, PXI-1052
THIRD ANGLE PROJECTION		SIZE CODE IDENT NO. DRAWING NO. REV D 17U296 CD_190943-01 1	
		SCALE: 4/5 SHEET 1 OF 1	

CD\_190943-01 1