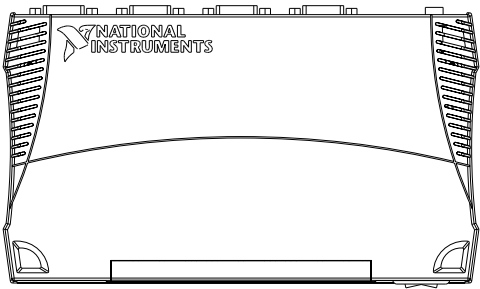


8 | 7 | 6 | 5 | 4 | 3 | 2 | 1

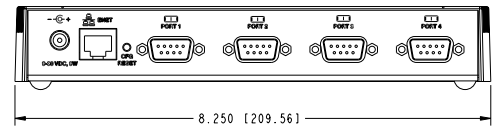
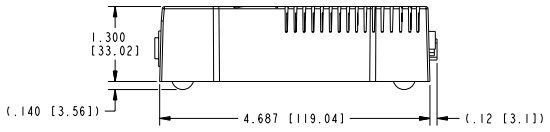
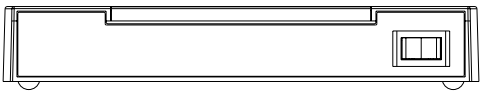
This document contains confidential and proprietary information which is the property of National Instruments Corporation. This proprietary information is supplied to the possessor pursuant to the possessor's agreement to do the following:
 1. to maintain this document in confidence;
 2. not to reproduce, publish or copy it in whole or in part without written permission; and
 3. not to use this document as a basis for the manufacture or sale of goods without written permission.
 © COPYRIGHT 2001 NATIONAL INSTRUMENTS CORPORATION. ALL RIGHTS RESERVED.

REVISIONS	
REV	DESCRIPTION
1	RELEASED

D | D



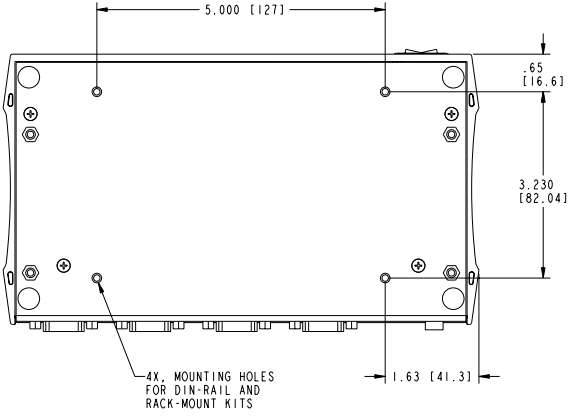
C | C



B | B

4-PORT SHOWN

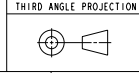
B | B



A | A

CUSTOMER DRAWING FOR REFERENCE ONLY

8 | 7 | 6 | 5 | 4 | 3 | 2 | 1



UNLESS OTHERWISE SPECIFIED DIMENSIONS ARE IN INCHES AND (MILLIMETERS) TOLERANCES ARE: .xx (.x2) .01 (0.25) ANGLES: .xxx (.xxx) .005 (0.13) 2P .00 NOT SCALE DRAWING MATERIAL	DESIGN TEAM	NATIONAL INSTRUMENTS® AUSTIN, TEXAS TITLE CUSTOMER DRAWING, ENET-SERIAL
	DRAWN	
	REVIS	SIZE CODE IDENT NO DRAWING NO
	CHECKED	D 17U296 ENET-SERIAL
TECH	SCALE: 1/1	REV
ENGR		SHEET 1 OF 1

ENET-SERIAL 1