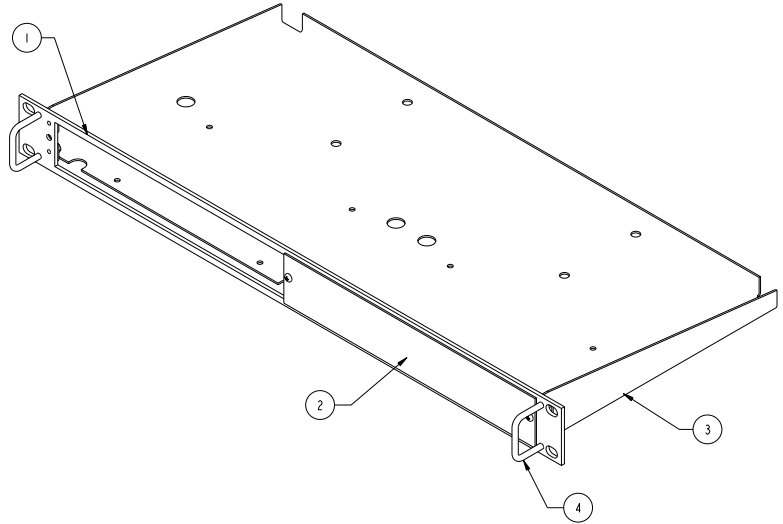
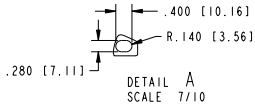
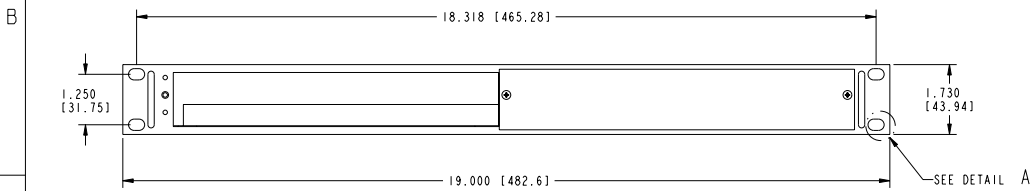
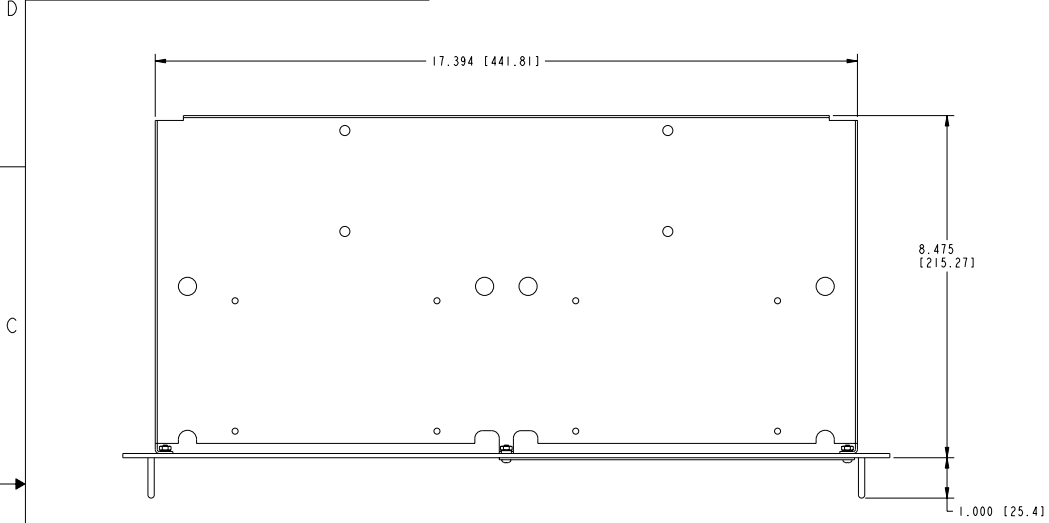


8 | 7 | 6 | 5 | 4 | 3 | 2 | 1

This document contains confidential and proprietary information which is the property of National Instruments Corporation. This proprietary information is supplied to the possessor pursuant to the possessor's agreement to do the following:
 1. to maintain this document in confidence;
 2. not to reproduce, publish or copy it in whole or in part without written permission; and
 3. not to use this document as a basis for the manufacture or sale of goods without written permission.
 © COPYRIGHT 2000 NATIONAL INSTRUMENTS CORPORATION. ALL RIGHTS RESERVED.

REVISIONS	
REV	DESCRIPTION
1	RELEASED



ITEM	DESCRIPTION	MATERIAL AND FINISH
4	PULL HANDLE, RACK MOUNT KIT	ALUMINUM, ANODIZED
3	COMPONENT TRAY, RACK MOUNT KIT	ALUMINUM, CLEAR CONVERSION COATED ALL SIDES
2	FILLER PANEL, RACK MOUNT	ALUMINUM, PAINTED ALL SIDES
1	FRONT PANEL, RACK MOUNT	ALUMINUM, FRONT SIDE PAINTED, REAR SIDE CLEAR CONVERSION COATED

UNLESS OTHERWISE SPECIFIED DIMENSIONS ARE IN INCHES AND (MILLIMETERS) TOLERANCES ARE: .xx (.02) .01 (0.25) ANGLES: .xxx (.xxx) .005 (0.13) 2P .00 (NOT SCALE DRAWING) MATERIAL	DESIGN TEAM	NATIONAL INSTRUMENTS® AUSTIN, TEXAS TITLE CUSTOMER DWG, RACK MOUNT, ENET ENCLOSURE	SIZE CODE IDENT NO DRAWING NO D 17U296 RACK_MOUNT SCALE: 7/10 SHEET 1 OF 1
	THIRD ANGLE PROJECTION 		

8 | 7 | 6 | 5 | 4 | 3 | 2 | 1

D
C
B
A
RACK_MOUNT