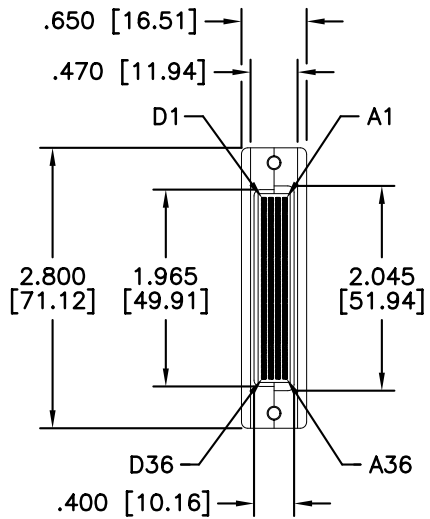
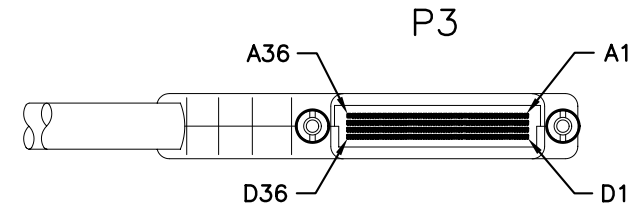
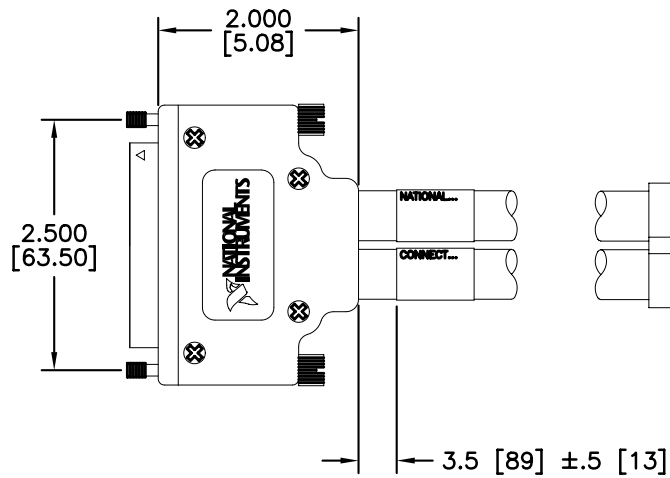


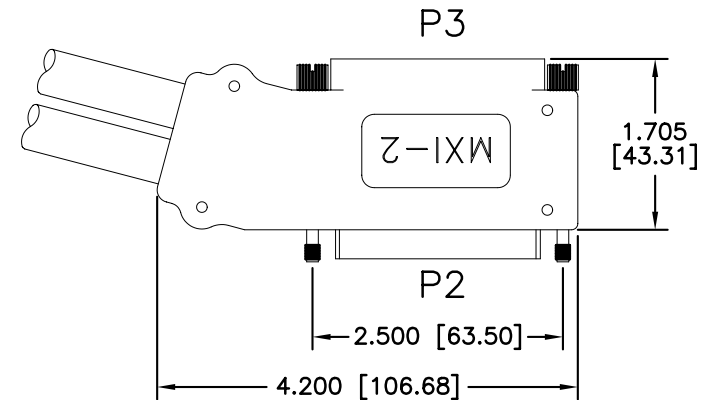
777166-XX



P1
PLUG



RECEPTACLE



MATERIAL SPECIFICATIONS:

CONNECTORS: 144 POSITION, 4 ROWS OF 36 CONTACTS,
HERMAPHRODITIC CONTACTS

CONTACTS: NICKEL SILVER ALLOY C77000 SPRING TEMPER

SHELL: ALUMINUM, IRIDITE PLATED

HEADER INSULATOR: GLASS FILLED LIQUID CRYSTAL
POLYMER VECTRA C130, COLOR
NATURAL, UL94V-0

JACKSCREWS AND JACKSOCKETS: STEEL, ZINC PLATED, 6-32
THREADS, 3/16 ROUND
KNURLED

HARDWARE: STEEL, ZINC PLATED

