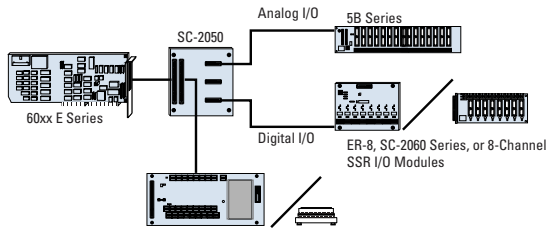


# Cable Adapters for Signal Conditioning



SC-204x, CB-50, or other 50-Pin Accessory (for unconditioned I/O)

Figure 1. SC-2050 Connections

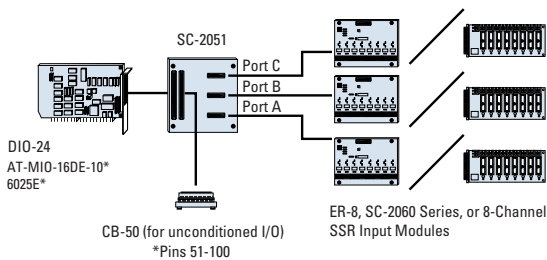


Figure 2. SC-2051 Connections

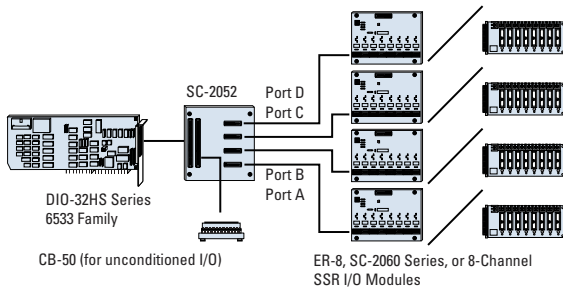


Figure 3. SC-2052 Connections

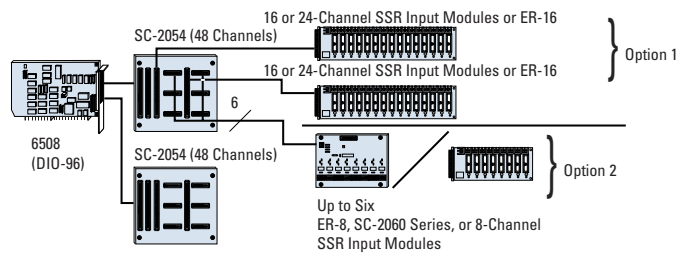


Figure 4. SC-2054 Connections

# Cable Adapters for Signal Conditioning

SC-205x

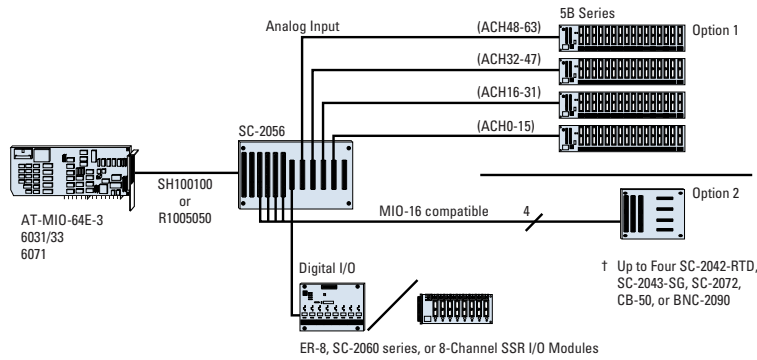


Figure 5. SC-2056 Connections

\* Fifth 5B Series connector includes two analog outputs along with analog inputs ACH0-13.

† SC-2042-RTD and SC-2043-SG devices cannot be combined with a single AT-MIO-64E-3.

Device	ER-8 (page 486)	ER-16 (page 486)	SC-206x (page 487)	SSR Backplane (page 486)		5B Series (page 483)	50-pin unconditioned I/O accessories
				8 Channel	16 or 24 Channel		
DAQ 68-pin E Series	NB7, SC-2050 SH6850	N/A	NB7, SC-2050 SH6850	NB8, SC-2050 SH6850	N/A	NB7, SC-2050 SH6850	NB1, SC-2050 SH6850
Nonlatching E Series DAQCards: AI-16E-4, AI-16XE-50	NB7, SC-2050 PSHR68-50	N/A	NB7, SC-2050 PSHR68-50	NB8, SC-2050 PSHR68-50	N/A	NB7, SC-2050 PSHR68-50	NB1, SC-2050 PSHR68-50
Latching E Series DAQCards: 6062E, 6024E	NB7, SC-2050 SHC6868-EP AND 68M-50F	N/A	NB7, SC-2050 SHC6868-EP AND 68M-50F	NB8, SC-2050 SHC6868-EP AND 68M-50F	N/A	NB7, SC-2050 SHC6868-EP AND 68M-50F	NB1, SC-2050 SHC6868-EP AND 68M-50F
100-pin, 64 AI E Series: AT-MIO-64E-3, 6031/6033/6071	NB7, SC-2056 SH100100	N/A	N/A	NB8, SC-2056 SH100100	N/A	NB7, SC-2056 SH100100	NB1, SC-2056 SH100100
100-pin, extended DIO E Series: 6025, AT-MIO-16DE-10	NB7, SC-2051 R1005050	N/A	NB7, SC-2051, R1005050	NB8, SC-2051 R1005050	N/A	N/A	NB1, SC-2051 R1005050
PC-DIO-24, PCI-6503	NB7, SC-2051, NB1	N/A	NB7, SC-2051, NB1	NB8, SC-2051, NB1	N/A	N/A	NB1, SC-2051, NB1
DAQCard-DIO-24	NB7, SC-2051 PSH27-50F-D1	N/A	NB7, SC-2051 PSH27-50F-D1	NB8, SC-2051 PSH27-50F-D1	N/A	N/A	NB1, SC-2051 PSH27-50F-D1
PCI-DIO-32HS, PXI-6533, AT-DIO-32HS	NB7, SC-2052 R6850-D1	N/A	NB7, SC-2052 R6850-D1	NB8, SC-2052 R6850-D1	N/A	N/A	NB1, SC-2052 R6850-D1
DAQCard-6533	NB7, SC-2052 PSHR68-68M AND R6850-D1	N/A	NB7, SC-2052 PSHR68-68M AND R6850-D1	NB8, SC-2052 PSHR68-68M AND R6850-D1	N/A	N/A	NB1, SC-2052 PSHR68-68M AND R6850-D1
PCI-DIO-96 PXI-6508, DAQPad-6508	NB7, SC-2054 R1005050	NB1, SC-2054 R1005050	NB7, SC-2054 R1005050	NB8, SC-2054 R1005050	NB1, SC-2054 R1005050	N/A	N/A
PC-DIO-96(PrP)	NB7, SC-2054 NB5	NB1, SC-2054 NB5	NB7, SC-2054 NB5	NB8, SC-2054 NB5	NB1, SC-2054 NB5	N/A N/A	N/A N/A

Table 1. Cable accessory and cable selection guide for SC-2050 Series products. Each table cell contains the required cable to connect the signal conditioning accessory to the cable adapter, the required cable adapter, and the recommended cable for connecting the cable adapter to the DAQ device.

Signal Conditioning