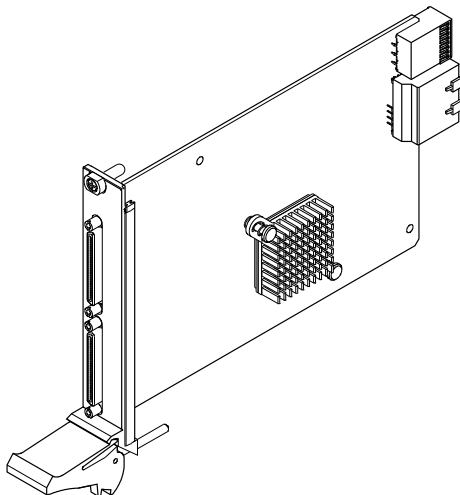


## GETTING STARTED GUIDE

# NI PXIe-7857R

R Series Reconfigurable I/O Module (AI, AO, DIO) for PXI Express, 8 AI, 8 AO, 48 DIO, 1 MS/s AI, 512 MB DRAM, Kintex-7 160T FPGA

This document describes how to begin using the NI PXIe-7857R.



## Safety Guidelines

---



**Caution** Do not operate the NI PXIe-7857R in a manner not specified in this document. Product misuse can result in a hazard. You can compromise the safety protection built into the product if the product is damaged in any way. If the product is damaged, return it to NI for repair.

## Electromagnetic Compatibility Guidelines

---

This product was tested and complies with the regulatory requirements and limits for electromagnetic compatibility (EMC) stated in the product specifications. These requirements and limits provide reasonable protection against harmful interference when the product is operated in the intended operational electromagnetic environment.

This product is intended for use in industrial locations. However, harmful interference may occur in some installations, when the product is connected to a peripheral device or test object, or if the product is used in residential or commercial areas. To minimize interference with radio and television reception and prevent unacceptable performance degradation, install and use this product in strict accordance with the instructions in the product documentation.

Furthermore, any changes or modifications to the product not expressly approved by National Instruments could void your authority to operate it under your local regulatory rules.



**Caution** To ensure the specified EMC performance, operate this product only with shielded cables and accessories.



**Caution** To ensure the specified EMC performance, the length of all I/O cables must be no longer than 3 m (10 ft).

## Preparing the Environment

---

Ensure that the environment in which you are using the NI PXIe-7857R meets the following specifications.

Operating temperature (IEC 60068-2-1, IEC 60068-2-2)	0 °C to 55 °C
Operating humidity (IEC 60068-2-56)	10% RH to 90% RH, noncondensing
Pollution degree	2
Maximum altitude	2,000 m

Indoor use only.



**Note** Refer to the device specifications on [ni.com/manuals](https://ni.com/manuals) for complete specifications.

## Unpacking the Kit

---



**Caution** To prevent electrostatic discharge (ESD) from damaging the device, ground yourself using a grounding strap or by holding a grounded object, such as your computer chassis.

1. Touch the antistatic package to a metal part of the computer chassis.
2. Remove the device from the package and inspect the device for loose components or any other sign of damage.



**Caution** Never touch the exposed pins of connectors.



**Note** Do not install a device if it appears damaged in any way.

3. Unpack any other items and documentation from the kit.

Store the device in the antistatic package when the device is not in use.

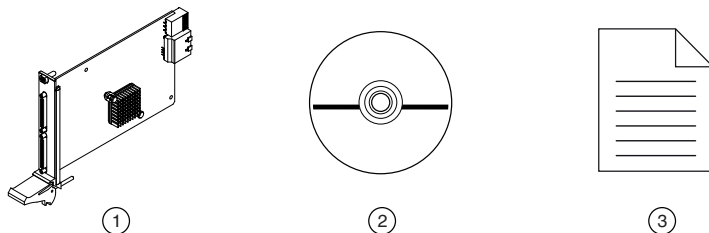
## Verifying the Kit Contents

---

Verify that the following items are included in the NI PXIe-7857R kit.

**Figure 1.** NI PXIe-7857R Kit Contents

---



- 
1. Hardware
  2. NI-RIO Media
  3. Getting Started Guide
- 

## Installing Software on the Host Computer

---

Before using the NI PXIe-7857R, you must install the following application software and device drivers on the host computer.

1. LabVIEW 2016 or later
2. LabVIEW Real-Time Module 2016 or later<sup>1</sup>
3. LabVIEW FPGA Module 2016 or later
4. NI R Series Multifunction RIO Device Drivers August 2016 or later

Visit [ni.com/info](http://ni.com/info) and enter the Info Code `softwareversion` for minimum software support information.

## Installing the NI PXIe-7857R

---



**Caution** To prevent damage to the device caused by ESD or contamination, handle the device using the edges or the metal bracket.

1. Ensure the AC power source is connected to the chassis before installing the modules.

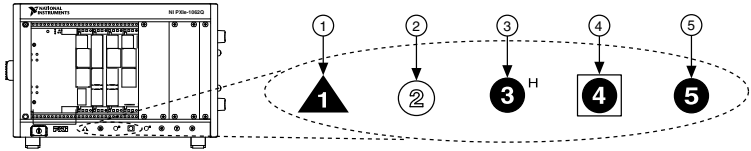
The AC power cord grounds the chassis and protects it from electrical damage while you install the modules.

---

<sup>1</sup> LabVIEW Real Time Module is only required when the R Series board is used in a chassis where the PXIe Controller is running a real-time operating system.

2. Power off the chassis.
3. Inspect the slot pins on the chassis backplane for any bends or damage prior to installation. Do not install a module if the backplane is damaged.
4. Remove the black plastic covers from all the captive screws on the module front panel.
5. Identify a supported slot in the chassis. The following figure shows the symbols that indicate the slot types.

**Figure 2. Chassis Compatibility Symbols**

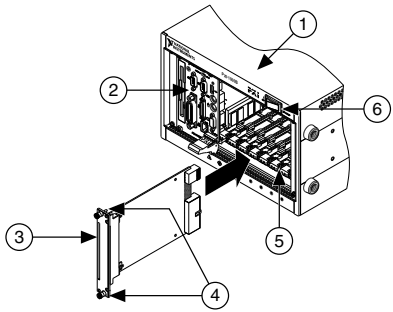


- |                                       |                                   |
|---------------------------------------|-----------------------------------|
| 1. PXI Express System Controller Slot | 4. PXI Express System Timing Slot |
| 2. PXI Peripheral Slot                | 5. PXI Express Peripheral Slot    |
| 3. PXI Express Hybrid Peripheral Slot |                                   |

NI PXIe-7857R modules can be placed in PXI Express peripheral slots, PXI Express hybrid peripheral slots, or PXI Express system timing slots.

6. Touch any metal part of the chassis to discharge static electricity.
7. Place the module edges into the module guides at the top and bottom of the chassis. Slide the device into the slot until it is fully inserted.

**Figure 3. Module Installation**



- |                      |                                |
|----------------------|--------------------------------|
| 1. Chassis           | 4. Front-Panel Mounting Screws |
| 2. System Controller | 5. Module Guides               |
| 3. Hardware Module   | 6. Power Switch                |

8. Secure the device front panel to the chassis using the front-panel mounting screws.

**Note** Tightening the top and bottom mounting screws increases mechanical stability and also electrically connects the front panel to the chassis, which can improve the signal quality and electromagnetic performance.

9. Cover all empty slots with filler panels or use slot blockers to maximize cooling air flow.

10. Power on the chassis.

## Verifying Hardware Installation for Host Targets

---

You can verify that the system recognizes the NI PXIe-7857R by using Measurement & Automation Explorer (MAX).

1. Launch MAX by navigating to **Start»All Programs»National Instruments»MAX** or by clicking the MAX desktop icon.
2. Expand **Devices and Interfaces**.
3. Verify that the device appears under **Devices and Interfaces**.

If the device does not appear, press <F5> to refresh the view in MAX. If the device does not appear after refreshing the view, visit [ni.com/support](http://ni.com/support) for troubleshooting information.

## Verifying Hardware Installation for Remote Targets

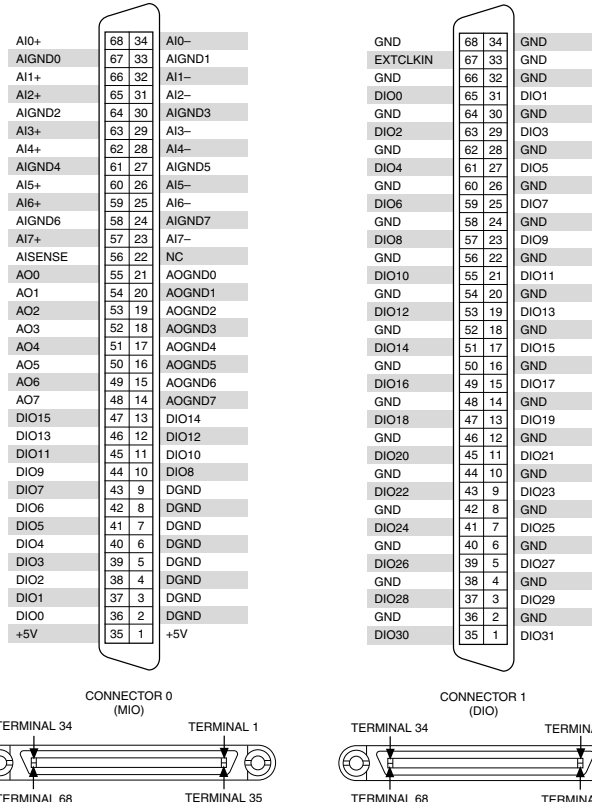
---

You can verify that the system recognizes the NI PXIe-7857R by using Measurement & Automation Explorer (MAX).

1. Launch MAX on the host computer.
2. Expand **Remote Targets** in the configuration tree and locate your system.
3. Install LabVIEW Real-Time Module 2016 and NI RIO Device Drivers August 2016 or later on your **Remote Target**.
  - a) Refer to the *Installing Software on the Host Computer* section for information about installing software on the host.
  - b) Refer to the *PXI Express Controllers User Manual* at [ni.com/manuals](http://ni.com/manuals) for information on installing software on the target.
4. Under **Remote Targets**, find and expand **Devices and Interfaces**.

If the device does not appear, press <F5> to refresh the view in MAX. If the device does not appear after refreshing the view, visit [ni.com/support](http://ni.com/support) for troubleshooting information.

# Pinout



**Table 1. NI PXIe-7857R Signal Descriptions**

Signal	Description
AI+	Positive analog input signal connection
AI-	Negative analog input signal connection
AISENSE	Reference connection for NRSE measurements
AIGND	Ground reference for the analog input signal
AO	Analog output signal connection
AOGND	Ground reference for the analog output signal

**Table 1.** NI PXIe-7857R Signal Descriptions (Continued)

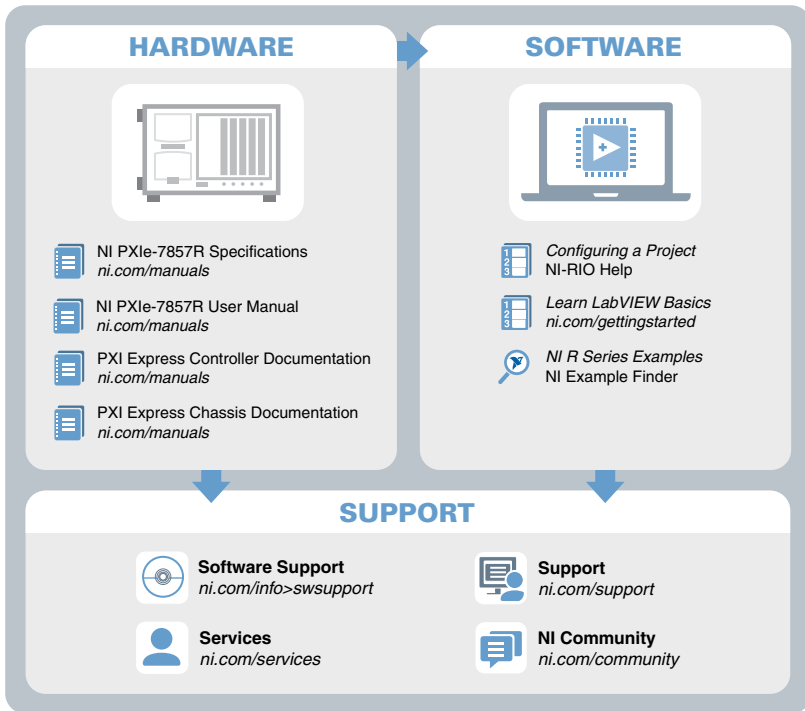
<b>Signal</b>	<b>Description</b>
DIO	Digital input/output signal connection
DGND	Ground reference for the digital signal
EXTCLKIN	External clock input source that can be used for source synchronous acquisitions. The provided clock source must be stable and glitch-free.
GND	Ground connection
Supply (+5 Vout)	5 V power output connection for external devices
NC	No connection

The NI PXIe-7857R is protected from overvoltage and overcurrent conditions.



**Note** Refer to the device specifications, available at [ni.com/manuals](https://ni.com/manuals) for more information.

# Where to Go Next



## Worldwide Support and Services

The NI website is your complete resource for technical support. At [ni.com/support](http://ni.com/support), you have access to everything from troubleshooting and application development self-help resources to email and phone assistance from NI Application Engineers.

Visit [ni.com/services](http://ni.com/services) for NI Factory Installation Services, repairs, extended warranty, and other services.

Visit [ni.com/register](http://ni.com/register) to register your NI product. Product registration facilitates technical support and ensures that you receive important information updates from NI.

A Declaration of Conformity (DoC) is our claim of compliance with the Council of the European Communities using the manufacturer's declaration of conformity. This system affords the user protection for electromagnetic compatibility (EMC) and product safety. You can obtain the DoC for your product by visiting [ni.com/certification](http://ni.com/certification). If your product supports calibration, you can obtain the calibration certificate for your product at [ni.com/calibration](http://ni.com/calibration).



NI corporate headquarters is located at 11500 North Mopac Expressway, Austin, Texas, 78759-3504. NI also has offices located around the world. For telephone support in the United States, create your service request at [ni.com/support](https://ni.com/support) or dial 1 866 ASK MYNI (275 6964). For telephone support outside the United States, visit the *Worldwide Offices* section of [ni.com/niglobal](https://ni.com/niglobal) to access the branch office websites, which provide up-to-date contact information, support phone numbers, email addresses, and current events.

Refer to the *NI Trademarks and Logo Guidelines* at [ni.com/trademarks](http://ni.com/trademarks) for information on NI trademarks. Other product and company names mentioned herein are trademarks or trade names of their respective companies. For patents covering NI products/technology, refer to the appropriate location: **Help»Patents** in your software, the `patents.txt` file on your media, or the *National Instruments Patent Notice* at [ni.com/patents](http://ni.com/patents). You can find information about end-user license agreements (EULAs) and third-party legal notices in the readme file for your NI product. Refer to the *Export Compliance Information* at [ni.com/legal/export-compliance](http://ni.com/legal/export-compliance) for the NI global trade compliance policy and how to obtain relevant HTS codes, ECCNs, and other import/export data. NI MAKES NO EXPRESS OR IMPLIED WARRANTIES AS TO THE ACCURACY OF THE INFORMATION CONTAINED HEREIN AND SHALL NOT BE LIABLE FOR ANY ERRORS. U.S. Government Customers: The data contained in this manual was developed at private expense and is subject to the applicable limited rights and restricted data rights as set forth in FAR 52.227-14, DFAR 252.227-7014, and DFAR 252.227-7015.

© 2016 National Instruments. All rights reserved.

378001B-01 May16