

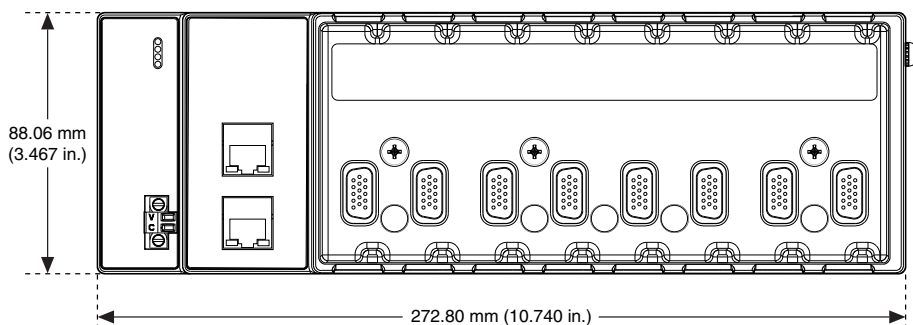
INSTALLATION INSTRUCTIONS

NI 9144 to NI 9145 Adapter Panel Mounting Kit

The NI 9144 to NI 9145 adapter panel mounting kit and other mounting kits are accessories you can use to mount the CompactRIO chassis.

The hardware in the NI 9144 to NI 9145 adapter kit consists of the adapter mounting plate and three M4 x 23 mm screws. The following figure shows the dimensions of the panel mounting plate.

Figure 1. NI 9144 to NI 9145 Adapter Mounting Plate Dimensions



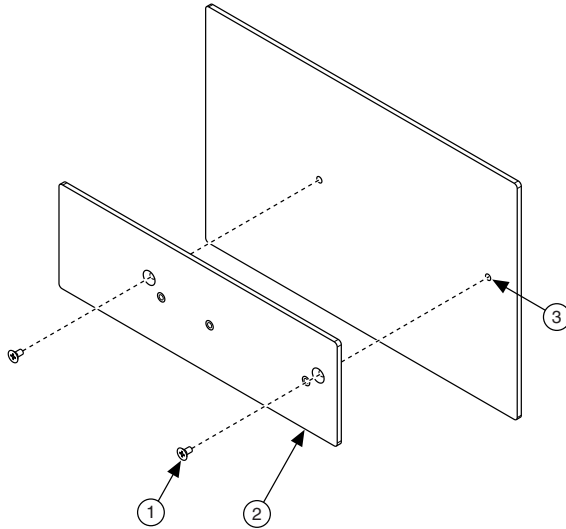
Note You need a #2 Philips screwdriver to install the NI 9145.

Installing the NI 9145

Complete the following steps to install a chassis onto a panel or wall using the NI 9144 to NI 9145 adapter mounting plate.

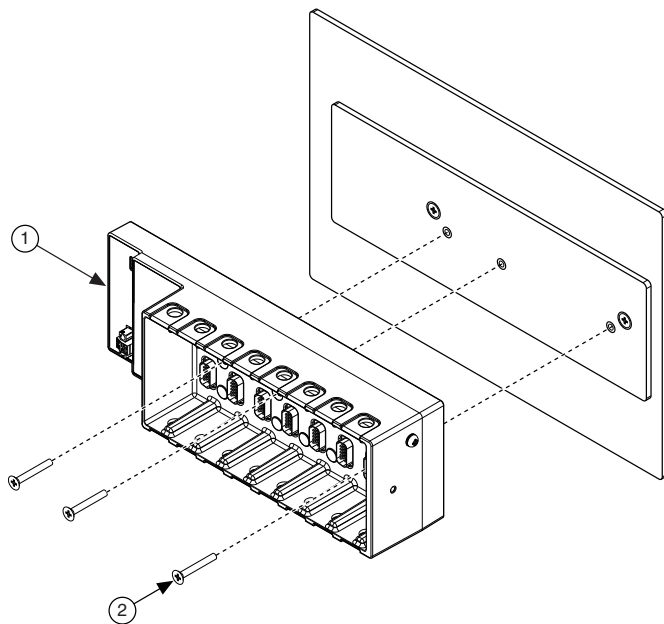
1. Remove the NI 9144 chassis from the panel or wall.
2. Attach the adapter mounting plate to the panel or wall using M4 or number 8 flathead screw 10 mm (0.39 in.) minimum length that are appropriate for the surface. Screws for mounting to the panel or wall are not included in the kit.

Figure 2. Attaching the Adapter Plate to the Panel or Wall



1. M4 or number 8 flathead screw 10 mm (0.39 in.) minimum length
 2. NI 9145 adapter plate
 3. M4 tapped hole
3. Attach the NI 9145 chassis to the adapter mounting plate using the three M4 x 23 mm screws included in the kit. You must use the screws included in the kit and indicated in the documentation because they are the correct depth and thread for the chassis and the adapter mounting plate. Tighten the screws to a maximum torque of 1.3 N · m (11.5 lb · in.).

Figure 3. Attaching the NI 9145 Chassis to the Adapter Plate



1. NI 9145 chassis
2. M4 x 23 mm flathead screw

Information is subject to change without notice. Refer to the *NI Trademarks and Logo Guidelines* at ni.com/trademarks for information on NI trademarks. Other product and company names mentioned herein are trademarks or trade names of their respective companies. For patents covering NI products/technology, refer to the appropriate location: **Help»Patents** in your software, the `patents.txt` file on your media, or the *National Instruments Patent Notice* at ni.com/patents. You can find information about end-user license agreements (EULAs) and third-party legal notices in the `readme` file for your NI product. Refer to the *Export Compliance Information* at ni.com/legal/export-compliance for the NI global trade compliance policy and how to obtain relevant HTS codes, ECCNs, and other import/export data. NI MAKES NO EXPRESS OR IMPLIED WARRANTIES AS TO THE ACCURACY OF THE INFORMATION CONTAINED HEREIN AND SHALL NOT BE LIABLE FOR ANY ERRORS. U.S. Government Customers: The data contained in this manual was developed at private expense and is subject to the applicable limited rights and restricted data rights as set forth in FAR 52.227-14, DFAR 252.227-7014, and DFAR 252.227-7015.

© 2017 National Instruments. All rights reserved.

377369A-01 October 31, 2017