

INSTALLATION INSTRUCTIONS

HDI-100

Mating Connector

This document explains how to install the safety voltage keying system for the HDI-100 input/output (I/O) connector.



Caution Connecting signals that exceed the rating of the switch module can cause permanent damage to the switch module. Properly install the voltage keys included in the HDI-100 kit to ensure the safety of your system and its operators.

National Instruments switch modules that use the HDI-100 are installed with two, preset safety voltage keys. Each voltage key has eight possible positions. Letters designate the position of one voltage key; numbers designate the position of the other. Refer to Figure 1 to locate the voltage key positions of the switch module. Note that the voltage keys in Figure 1 are in the 3 and C positions.

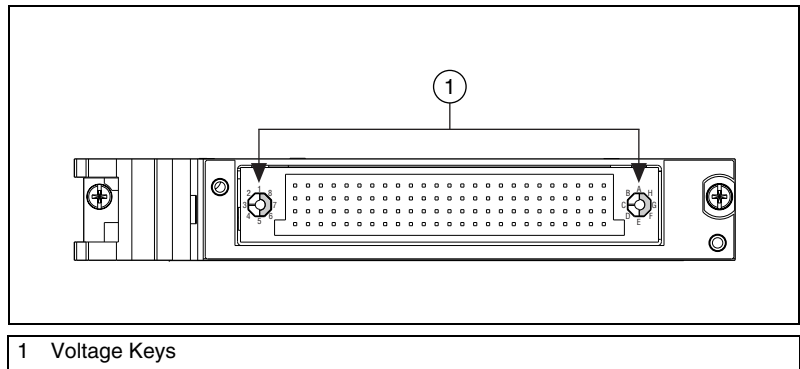


Figure 1. Switch Module with a Voltage Keying System

To ensure that the HDI-100 is mated correctly, the HDI-100 kit also includes a safety voltage keying system. When installed correctly, the voltage keys ensure that only accessories with the appropriate voltage ratings can be connected to the switch module. With the voltage keying system correctly installed, for example, a terminal block containing 300 V signals cannot be connected to a switch module rated at 150 V.

To install the voltage keying system on the HDI-100, complete the following steps:

1. Verify the voltage key positions, as shown in Figure 1, on the switch module to which you want to connect the HDI-100.
2. Assemble the voltage keys included with the HDI-100 kit in the same positions as the voltage keys of the switch module.

Figure 2 illustrates the HDI-100 assembled to mate with the switch module in Figure 1.

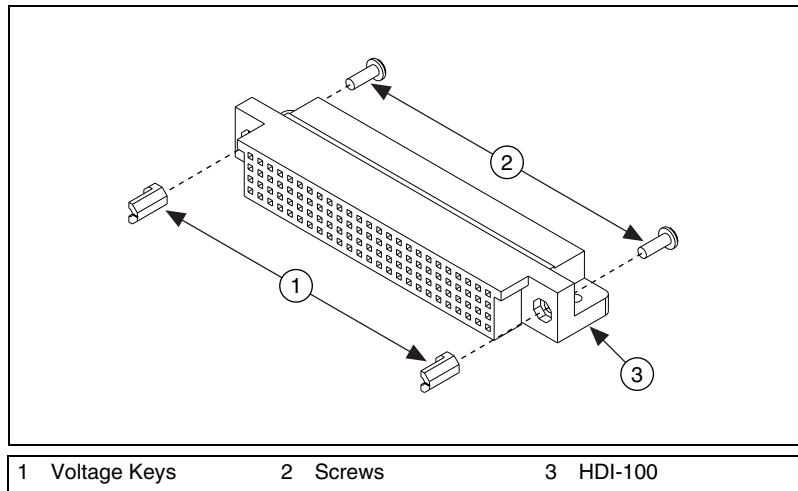


Figure 2. HDI-100 Assembled to Mate with the Switch Module in Figure 1