

INSTALLATION INSTRUCTIONS

NI 9901 Desktop Mounting Kit

Français Deutsch 日本語 한국어 简体中文
ni.com/manuals

The National Instruments 9901 desktop mounting kit is an accessory you can use to mount CompactRIO and CompactDAQ chassis on a desktop. You can use the NI 9901 desktop mounting kit to mount one eight-slot chassis or one four-slot chassis.



Note You need a #1 and a #2 Phillips screwdriver to complete installation of the NI 9901.

The NI 9901 desktop mounting kit contains the following components:

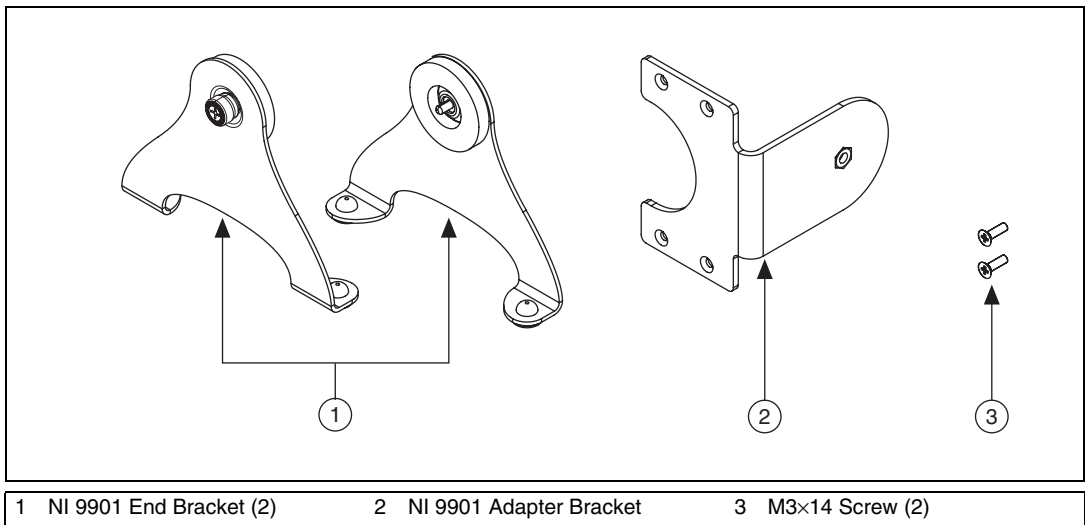


Figure 1. Components of the NI 9901 Desktop Mounting Kit.

Installing the Desktop Mounting Kit

Complete the following steps to install the NI 9901 desktop mounting kit on a chassis.

1. If you are installing the NI 9901 on an NI cRIO-9151 R Series Expansion chassis or an NI CompactDAQ chassis, you must install an adapter bracket on the back of the chassis.
 - a. Use a #1 Phillips screwdriver to remove the two screws on the cable side of the chassis from the back of the chassis.
 - b. Use the screwdriver and the two M3×14 screws to attach the adapter bracket to the chassis, as shown in Figure 2.

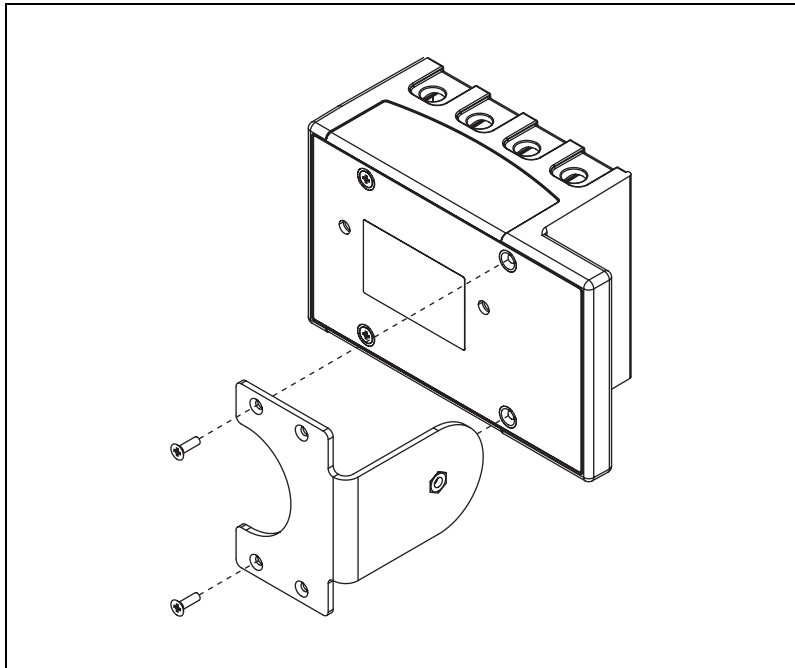


Figure 2. Connecting the Adapter Brackets to a cRIO-9151 Chassis

Dimensions

Figures 4, 5, and 6 show the dimensions of a chassis after the desktop mounting kit is installed.

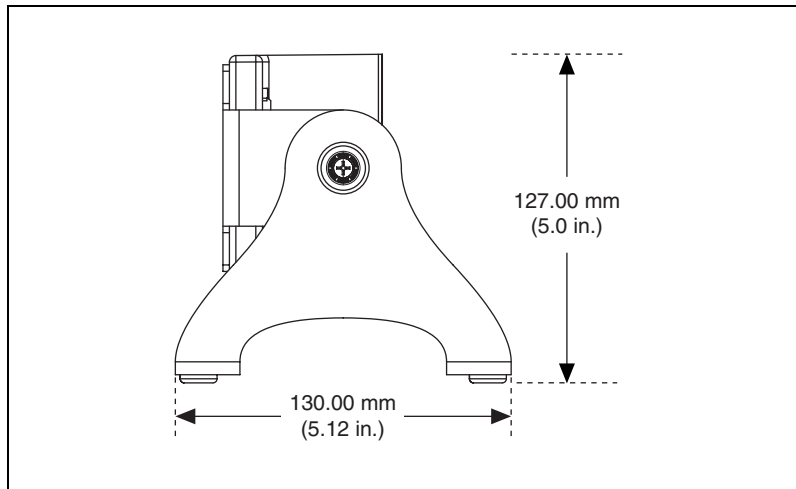


Figure 4. End of the System with Desktop Mounting Kit Installed

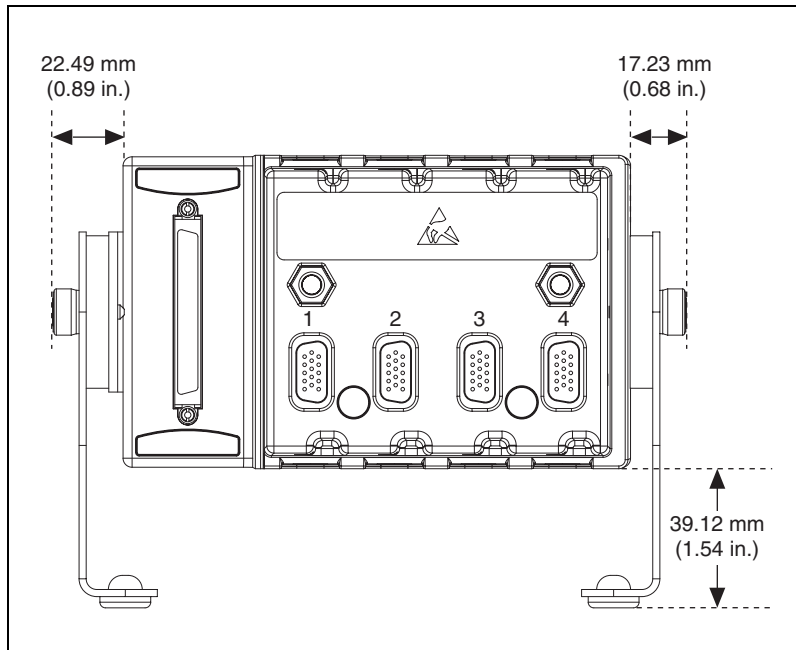


Figure 5. Desktop Mounting Kit with Adapter Bracket (R Series Expansion Chassis Shown)

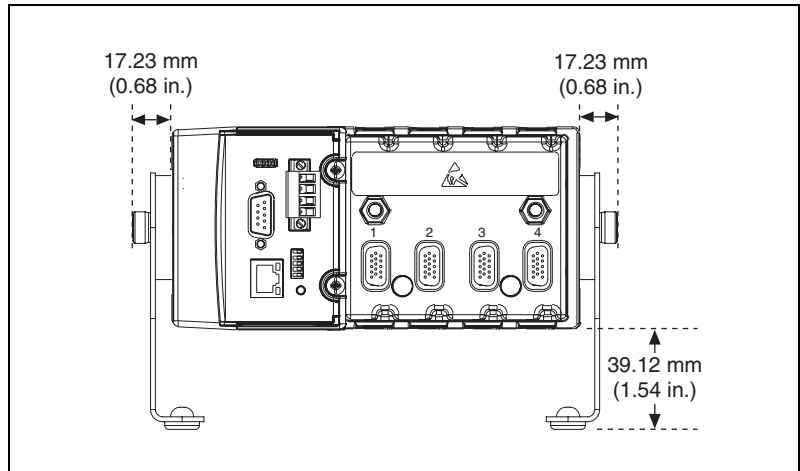


Figure 6. Desktop Mounting Kit Without Adapter Bracket
(CompactRIO Reconfigurable Embedded Chassis Shown)

Environmental Management

National Instruments is committed to designing and manufacturing products in an environmentally responsible manner. NI recognizes that eliminating certain hazardous substances from our products is beneficial not only to the environment but also to NI customers.

For additional environmental information, refer to the *NI and the Environment* Web page at ni.com/environment. This page contains the environmental regulations and directives with which NI complies, as well as other environmental information not included in this document.

Waste Electrical and Electronic Equipment (WEEE)



EU Customers At the end of their life cycle, all products *must* be sent to a WEEE recycling center. For more information about WEEE recycling centers and National Instruments WEEE initiatives, visit ni.com/environment/weee.htm.

电子信息产品污染控制管理办法（中国 RoHS）



中国客户 National Instruments 符合中国电子信息产品中限制使用某些有害物质指令 (RoHS)。关于 National Instruments 中国 RoHS 合规性信息, 请登录 ni.com/environment/rohs_china。(For information about China RoHS compliance, go to ni.com/environment/rohs_china.)

Where to Go for Support

The National Instruments Web site is your complete resource for technical support. At ni.com/support you have access to everything from troubleshooting and application development self-help resources to email and phone assistance from NI Application Engineers.

National Instruments corporate headquarters is located at 11500 North Mopac Expressway, Austin, Texas, 78759-3504. National Instruments also has offices located around the world to help address your support needs. For telephone support in the United States, create your service request at ni.com/support and follow the calling instructions or dial 512 795 8248. For telephone support outside the United States, contact your local branch office:

Australia 1800 300 800, Austria 43 662 457990-0,
Belgium 32 (0) 2 757 0020, Brazil 55 11 3262 3599,
Canada 800 433 3488, China 86 21 5050 9800,
Czech Republic 420 224 235 774, Denmark 45 45 76 26 00,
Finland 358 (0) 9 725 72511, France 01 57 66 24 24,
Germany 49 89 7413130, India 91 80 41190000, Israel 972 3 6393737,
Italy 39 02 41309277, Japan 0120-527196, Korea 82 02 3451 3400,
Lebanon 961 (0) 1 33 28 28, Malaysia 1800 887710,
Mexico 01 800 010 0793, Netherlands 31 (0) 348 433 466,
New Zealand 0800 553 322, Norway 47 (0) 66 90 76 60,
Poland 48 22 3390150, Portugal 351 210 311 210, Russia 7 495 783 6851,
Singapore 1800 226 5886, Slovenia 386 3 425 42 00,
South Africa 27 0 11 805 8197, Spain 34 91 640 0085,
Sweden 46 (0) 8 587 895 00, Switzerland 41 56 2005151,
Taiwan 886 02 2377 2222, Thailand 662 278 6777,
Turkey 90 212 279 3031, United Kingdom 44 (0) 1635 523545

National Instruments, NI, ni.com, and LabVIEW are trademarks of National Instruments Corporation. Refer to the *Terms of Use* section on ni.com/legal for more information about National Instruments trademarks. Other product and company names mentioned herein are trademarks or trade names of their respective companies. For patents covering National Instruments products, refer to the appropriate location: **Help»Patents** in your software, the `patents.txt` file on your media, or ni.com/patents.