

GETTING STARTED GUIDE

NI 9866

1-Port, LIN Module

Français

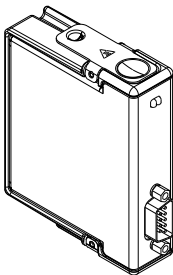
Deutsch

日本語

한국어

简体中文

ni.com/manuals



This document explains how to connect to the NI 9866.

The NI 9866 module requires the latest software to be installed. The latest version of the software is at ni.com/downloads.



Note Before you begin, complete the software and hardware installation procedures in your chassis documentation.



Note The guidelines in this document are specific to the NI 9866. The other components in the system might not meet the same safety ratings. Refer to the documentation for each component in the system to determine the safety and EMC ratings for the entire system.

Safety Guidelines

Operate the NI 9866 only as described in this document.



Hot Surface This icon denotes that the component may be hot. Touching this component may result in bodily injury.



Caution Do not operate the NI 9866 in a manner not specified in this document. Product misuse can result in a hazard. You can compromise the safety protection built into the product if the product is damaged in any way. If the product is damaged, return it to NI for repair.

Safety Guidelines for Hazardous Locations

The NI 9866 is suitable for use in Class I, Division 2, Groups A, B, C, D, T4 hazardous locations; Class I, Zone 2, AEx nA IIC T4 and Ex nA IIC T4 hazardous locations; and nonhazardous locations only. Follow these guidelines if you are installing the NI 9866 in a potentially explosive environment. Not following these guidelines may result in serious injury or death.



Caution Do not disconnect I/O-side wires or connectors unless power has been switched off or the area is known to be nonhazardous.



Caution Do not remove modules unless power has been switched off or the area is known to be nonhazardous.



Caution Substitution of components may impair suitability for Class I, Division 2.




Caution For Division 2 and Zone 2 applications, install the system in an enclosure rated to at least IP54 as defined by IEC/EN 60079-15.



Caution For Zone 2 applications, install a protection device between the LIN signals and the NI 9866 LIN pins. The device must prevent the LIN Port-to-COM voltage from exceeding 55 V if there is a transient overvoltage condition.

Special Conditions for Hazardous Locations Use in Europe and Internationally

The NI 9866 has been evaluated as Ex nA IIC T4 Gc equipment under DEMKO Certificate No. 07 ATEX 0626664X and is IECEx 14.0089X certified. Each NI 9866 is marked  II 3G and is suitable for use in Zone 2 hazardous locations, in ambient temperatures of $-40\text{ }^{\circ}\text{C} \leq T_a \leq -70\text{ }^{\circ}\text{C}$. If you are using the NI 9866 in Gas Group IIC hazardous locations, you must use the device in an NI chassis that has been evaluated as Ex nC IIC T4, Ex IIC T4, Ex nA IIC T4, or Ex nL IIC T4 equipment.



Caution You must make sure that transient disturbances do not exceed 140% of the rated voltage.



Caution The system shall only be used in an area of not more than Pollution Degree 2, as defined in IEC 60664-1.



Caution The system shall be mounted in an ATEX/IECEX-certified enclosure with a minimum ingress protection rating of at least IP54 as defined in IEC/EN 60079-15.



Caution The enclosure must have a door or cover accessible only by the use of a tool.

Wiring the NI 9866

The NI 9866 has one 9-pin male D-Sub connector that provides connections to a LIN bus.

The port has two common pins (COM) that are internally connected to the module's isolated reference and serve as the reference ground for LIN signal. You can connect the LIN bus reference ground to one or both COM pins. The port also has an

optional shield pin, SHLD, that you can connect to a shielded LIN cable. Connecting SHLD may improve signal integrity and EMC performance in a noisy environment.



Caution You must use a UL listed ITE power supply marked LPS with the NI 9866.

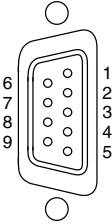
The NI 9866 requires an external power supply of +8 to +18 V to operate. Supply power to the NI 9866 V_{SUP} pin from the LIN bus.



Note Power on V_{SUP} is required for LIN operation.

The NI 9866 pinout is listed in Table 1.

Table 1. Pin Assignments for the NI 9866

Connector	Pin	Signal Name
	1	No Connection (NC)
	2	NC
	3	COM
	4	NC
	5	SHLD
	6	COM
	7	LIN
	8	NC
	9	V_{SUP}

Cabling Requirements for the NI 9866

This section deals with cabling specifications, termination resistors, cable lengths, and the number of LIN nodes that can exist in a system.

Cable Specifications

LIN cables should meet the physical medium requirement of a bus RC time constant of 5 μ s. For detailed formulas for calculating this value, refer to the *Line Characteristics* section of the LIN specification. Belden cable (3084A) and other unterminated CAN/Serial quality cables meet these requirements and should be suitable for most applications.

Cable Lengths

The maximum allowable cable length is 40 m, per the LIN specification.

Number of LIN Devices

The maximum number of devices on a LIN bus is 16, per the LIN specification.

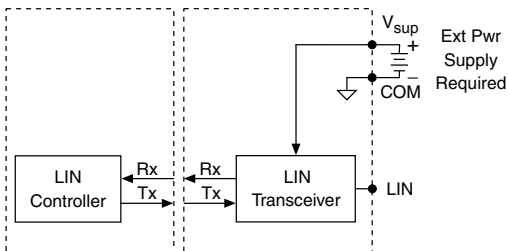
Termination Resistors

LIN cables require no termination, as nodes are terminated at the transceiver. Slave nodes typically are pulled up from the LIN bus to VBat with a 30 k Ω resistance and a serial diode. This termination usually is integrated into the transceiver package. The master node requires a 1 k Ω resistor and serial diode between the LIN bus and VBat. On NI-XNET LIN products, master termination is software selectable; you can enable it in the API with the NI-XNET Session Interface:LIN:Termination property.

NI 9866 Hardware Overview

The NI 9866 has one full-featured LIN port that is isolated from the other modules in the system. The port has a LIN controller that is fully compliant with the LIN 1.3/2.0/2.1/2.2 Specification. The port also has an NXP TJA1028 LIN transceiver that is fully compatible with the LIN 1.3/2.0/2.1/2.2 and SAE J2602 standard and supports baud rates up to 20 kbps.

Figure 1. NI 9866 Hardware Overview



NI 9866 Specifications

The following specifications are typical for the range $-40\text{ }^{\circ}\text{C}$ to $70\text{ }^{\circ}\text{C}$ unless otherwise noted.

LIN Characteristics

Transceiver.....	NXP TJA1028
Max baud rate.....	20 kbps
LIN bus lines voltage.....	-40 to +40 VDC
Supply voltage range..... (V_{SUP})	+8 to +18 VDC normal operation, -0.3 to +40 V absolute limits
MTBF.....	Contact NI for Bellcore MTBF or MIL-HDBK-217F specifications

Power Requirements

Power consumption from..... chassis	1 W max (active mode)
Thermal dissipation..... (at 70 °C)	1.25 W max (active mode)

Physical Characteristics

To clean the module, wipe it with a dry towel.

Weight.....Approx. 144 g (5.0 oz)

Safety

Maximum Voltage¹

Connect only the voltages that are within these limits.

Port-to-COM.....-40 to +40 VDC max,
Measurement Category I

Measurement Category I is for measurement performed on circuits not directly connected to the electrical distribution system referred to as MAINS voltage. MAINS is a hazardous live electrical supply system that powers equipment. This category is for measurements of voltages from specially protected secondary circuits. Such voltage measurements included signal levels,

¹ The maximum voltage that can be applied or output without creating a safety hazard.

special equipment, limited-energy parts of equipment, circuits powered by regulated low-voltage sources, and electronics.



Caution Do not connect to signals or use for measurements within Measurement Categories II, III, or IV.

Isolation Voltages

Port-to-earth ground

Withstand.....	1000 V _{rms} verified by a 5s dielectric withstand test
Continuous.....	60 VDC, Measurement Category I

Safety and Hazardous Locations Standards

This product is designed to meet the requirements of the following electrical equipment safety standards for measurement, control, and laboratory use:

- IEC 61010-1, EN 61010-1
- UL 61010-1, CSA 61010-1
- EN 60079-0:2012, EN 60079-15:2010
- IEC 60079-0: Ed 6, IEC 60079-15; Ed 4

- UL 60079-0; Ed 5, UL 60079-15; Ed 3
- CSA 60079-0:2011, CSA 60079-15:2012



Note For UL and other safety certifications, refer to the product label or the [Online Product Certification](#) section.

Hazardous Locations

U.S. (UL).....	Class I, Division 2, Groups A, B, C, D, T4; Class I, Zone 2, AEx nA IIC T4
Canada (C-UL).....	Class I, Division 2, Groups A, B, C, D, T4; Class I, Zone 2, Ex nA IIC T4
Europe (DEMKO).....	Ex nA IIC T4 Gc

Environmental

Refer to the manual for the chassis you are using for more information about meeting these specifications.

Operating temperature.....-40 °C to 70 °C
(IEC 60068-2-1, IEC 60068-2-2)

Storage temperature.....-40 °C to 85 °C
(IEC 60068-2-1, IEC 60068-2-2)

Ingress protection.....IP40

Operating humidity.....10% RH to 90% RH,
(IEC 60068-2-78) noncondensing

Storage humidity.....5% RH to 95% RH,
(IEC 60068-2-78) noncondensing

Pollution Degree.....2

Maximum altitude.....2,000 m

Indoor use only.

Shock and Vibration

To meet these specifications, you must panel mount the system.

Operating vibration

Random (IEC.....5 g_{rms}, 10 Hz to 500 Hz
60068-2-64)

Sinusoidal (IEC.....5 g, 10 Hz to 500 Hz
60068-2-6)

Operating shock (IEC.....30 g, 11 ms half sine; 50 g,
60068-2-27) 3 ms half sine;
18 shocks at 6 orientations

Electromagnetic Compatibility

This product meets the requirements of the following EMC standards for electrical equipment for measurement, control, and laboratory use:

- EN 61326 (IEC 61326): Class A emissions; Basic immunity
- EN 55011 (CISPR 11): Group 1, Class A emissions
- AS/NZS CISPR 11: Group 1, Class A emissions

- FCC 47 CFR Part 15B: Class A emissions
- ICES-001: Class A emissions



Note For the standards applied to assess the EMC of this product, refer to the *Online Product Certification* section.



Note For EMC compliance, operate this product according to the documentation.

CE Compliance

This product meets the essential requirements of applicable European Directives, as follows:

- 2014/35/EU; Low-Voltage Directive (safety)
- 2014/30/EU; Electromagnetic Compatibility Directive (EMC)
- 94/9/EC; Potentially Explosive Atmospheres (ATEX)

Online Product Certification

Refer to the product Declaration of Conformity (DoC) for additional regulatory compliance information. To obtain product certifications and the DoC for this product, visit ni.com/

certification, search by model number or product line, and click the appropriate link in the Certification column.

Environmental Management

NI is committed to designing and manufacturing products in an environmentally responsible manner. NI recognizes that eliminating certain hazardous substances from our products is beneficial to the environment and to NI customers.

For additional environmental information, refer to the *Minimize Our Environmental Impact* web page at ni.com/environment. This page contains the environmental regulations and directives with which NI complies, as well as other environmental information not included in this document.

Waste Electrical and Electronic Equipment (WEEE)



EU Customers At the end of the product life cycle, all NI products must be disposed of according to local laws and regulations. For more information about how to recycle NI products in your region, visit ni.com/environment/weee.

电子信息产品污染控制管理办法（中国 RoHS）



中国客户 National Instruments 符合中国电子信息产品中限制使用某些有害物质指令 (RoHS)。关于 National Instruments 中国 RoHS 合规性信息，请登录 ni.com/environment/rohs_china。(For information about China RoHS compliance, go to ni.com/environment/rohs_china.)

Worldwide Support and Services

The National Instruments website is your complete resource for technical support. At ni.com/support, you have access to everything from troubleshooting and application development self-help resources to email and phone assistance from NI Application Engineers.

Visit ni.com/services for NI Factory Installation Services, repairs, extended warranty, and other services.

Visit ni.com/register to register your National Instruments product. Product registration facilitates technical support and ensures that you receive important information updates from NI.

A Declaration of Conformity (DoC) is our claim of compliance with the Council of the European Communities using the manufacturer's declaration of conformity. This system affords the user protection for electromagnetic compatibility (EMC) and product safety. You can obtain the DoC for your product by visiting ni.com/certification. If your product supports calibration, you can obtain the calibration certificate for your product at ni.com/calibration.

National Instruments corporate headquarters is located at 11500 North Mopac Expressway, Austin, Texas, 78759-3504. National Instruments also has offices located around the world. For telephone support in the United States, create your service request at ni.com/support or dial 1 866 ASK MYNI (275 6964). For telephone support outside the United States, visit the *Worldwide Offices* section of ni.com/niglobal to access the branch office websites, which provide up-to-date contact information, support phone numbers, email addresses, and current events.

Refer to the *NI Trademarks and Logo Guidelines* at ni.com/trademarks for information on National Instruments trademarks. Other product and company names mentioned herein are trademarks or trade names of their respective companies. For patents covering National Instruments products/technology, refer to the appropriate location: **Help»Patents** in your software, the `patents.txt` file on your media, or the *National Instruments Patent Notice* at ni.com/patents. You can find information about end-user license agreements (EULAs) and third-party legal notices in the readme file for your NI product. Refer to the *Export Compliance Information* at ni.com/legal/export-compliance for the National Instruments global trade compliance policy and how to obtain relevant HTS codes, ECCNs, and other import/export data. NI MAKES NO EXPRESS OR IMPLIED WARRANTIES AS TO THE ACCURACY OF THE INFORMATION CONTAINED HEREIN AND SHALL NOT BE LIABLE FOR ANY ERRORS. U.S. Government Customers: The data contained in this manual was developed at private expense and is subject to the applicable limited rights and restricted data rights as set forth in FAR 52.227-14, DFAR 252.227-7014, and DFAR 252.227-7015.

© 2012—2015 National Instruments. All rights reserved.

373710D-01 May15