

INSTALLATION INSTRUCTIONS

NI TB-2632

Terminal Block for the NI PXI-2530

This guide describes how to install and connect signals to the National Instruments TB-2632 terminal block to configure the PXI-2530 as an 8x16 1-wire matrix.

Refer to the *NI Switches Getting Started Guide* to determine when to install the terminal block.

Introduction

The TB-2632 terminal block installs in front of the PXI-2530 switch module. The TB-2632 has screw terminals to connect signals to the switch. Screw terminals for the trigger input and trigger output signals also are available.

Conventions

The following conventions are used in this guide:

»

The » symbol leads you through nested menu items and dialog box options to a final action. The sequence **File»Page Setup»Options** directs you to pull down the **File** menu, select the **Page Setup** item, and select **Options** from the last dialog box.



This icon denotes a note, which alerts you to important information.



This icon denotes a caution, which advises you of precautions to take to avoid injury, data loss, or a system crash.

bold

Bold text denotes items that you must select or click in the software, such as menu items and dialog box options. Bold text also denotes parameter names and information on hardware labels.

italic

Italic text denotes variables, emphasis, a cross reference, or an introduction to a key concept. This font also denotes text that is a placeholder for a word or value that you must supply.

monospace

Text in this font denotes text or characters that you should enter from the keyboard, sections of code, programming examples, and syntax examples. This font is also used for the proper names of disk drives, paths, directories, programs, subprograms, subroutines, device names, functions, operations, variables, filenames and extensions, and code excerpts.

1. Unpack the Terminal Block

To avoid damage when you handle the terminal block, take the following precautions:



Caution *Never* touch the exposed pins of connectors.

- Ground yourself using a grounding strap or by touching a grounded object.
- Touch the antistatic package to a metal part of the chassis before you remove the terminal block from the package.

Remove the terminal block from the package and inspect the terminal block for loose components or any sign of damage. Notify NI if the terminal block appears damaged in any way. Do *not* install a damaged terminal block on a switch module.

Store the terminal block in the antistatic package when not in use.

2. Verify the Components

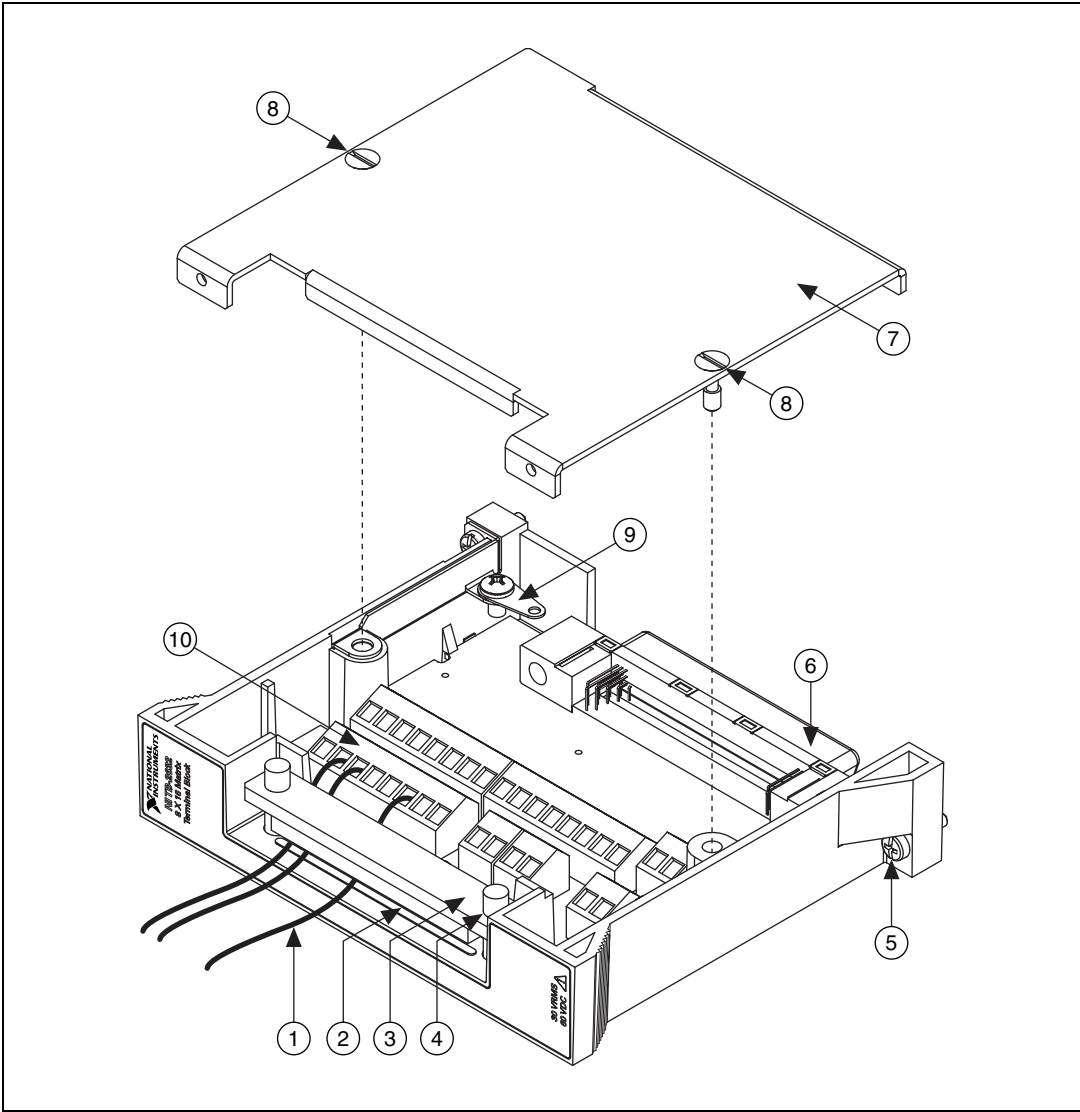
Make sure you have the following:

- TB-2632 terminal block
- PXI chassis
- PXI-2530 switch module
- 1/8 inch flathead screwdriver

3. Connect Signals

To connect signals to the terminal block, complete the following steps:

1. Remove the terminal block top cover screws with a flathead screwdriver.
2. Gently lift the terminal block top cover off the terminal block.
3. Loosen the two screws on the strain-relief bar, leaving plenty of space for the signal cables.
4. Prepare the signal cable by stripping the insulation no more than 3/16 of an inch.
5. Pull the signal cables through the strain-relief opening shown in Figure 1.
6. Connect the cables to the terminals by inserting the stripped end of the cable into the terminal. Secure the connection by tightening the screw for each terminal. When connecting the signals, refer to the connection diagram in Figure 2.
7. Tighten the two screws on the strain-relief bar, securing the signal cables.
8. Replace the terminal block top cover to the terminal block.
9. Secure the terminal block top cover with the top cover screws.



- | | |
|-------------------------|----------------------------|
| 1 Signal Cables | 6 Rear Connector |
| 2 Strain-Relief Opening | 7 Terminal Block Top Cover |
| 3 Strain-Relief Bar | 8 Top Cover Screws |
| 4 Strain-Relief Screw | 9 Safety Ground Lug |
| 5 Chassis Screws | 10 Screw Terminals |

Figure 1. TB-2632 Terminal Block



NI TB-2632 Terminal Reference Guide

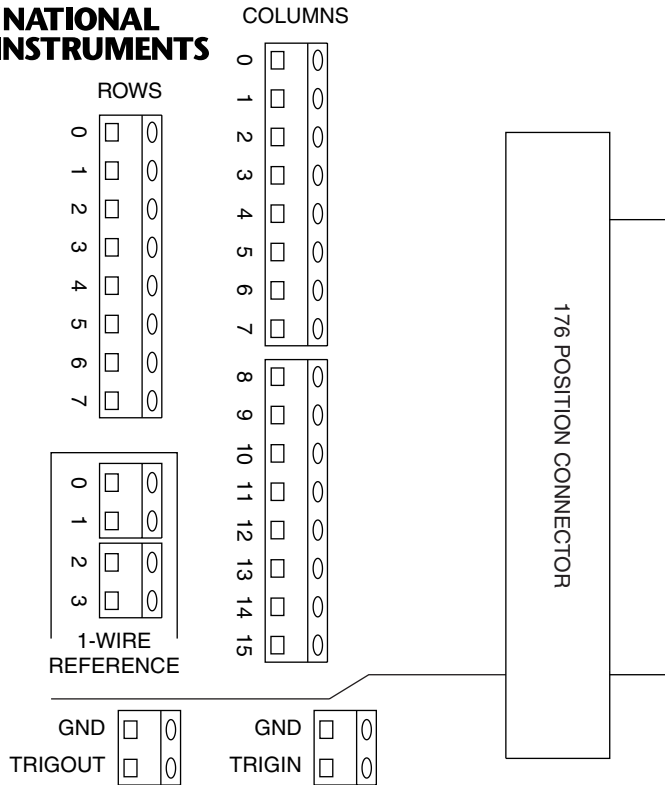
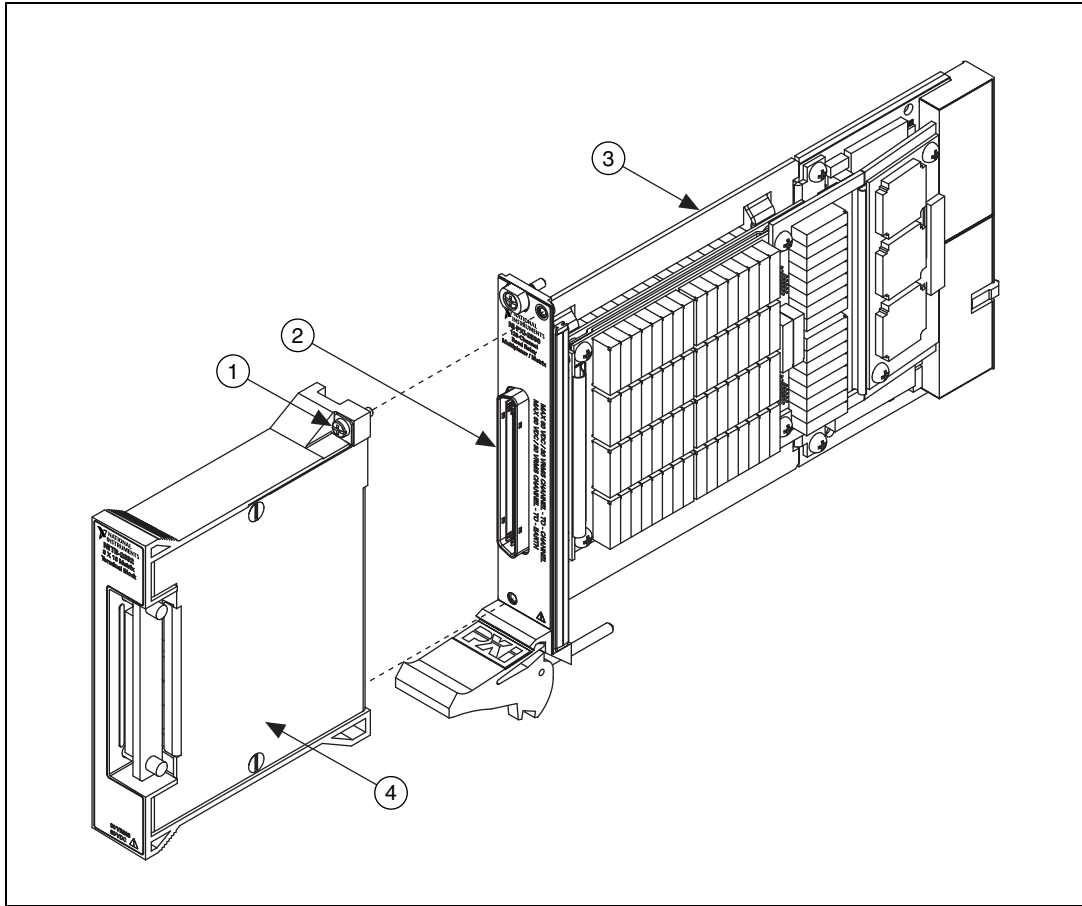


Figure 2. TB-2632 Terminal Reference

4. Install the Terminal Block

To connect the TB-2632 terminal block to the PXI-2530 front panel, complete the following steps (the NI PXI-2530 should already be installed in a PXI chassis):

1. Plug the TB-2632 on to the front connector of the PXI-2530.
2. Tighten the top and bottom chassis screws on the back of the terminal block rear panel to hold it securely in place.



1 Chassis Screw
2 Front Connector

3 PXI-2530
4 TB-2632

Figure 3. Installing the TB-2632 Terminal Block

Compliance and Certifications

Safety

This product is designed to meet the requirements of the following standards of safety for electrical equipment for measurement, control, and laboratory use:

- IEC 61010-1, EN 61010-1
- UL 3111-1, UL 61010B-1
- CAN/CSA C22.2 No. 1010.1



Note For UL and other safety certifications, refer to the product label, or visit ni.com/hardref.nsf, search by model number or product line, and click the appropriate link in the Certification column.

Electromagnetic Compatibility

Emissions	EN 55011 Class A at 10 m FCC Part 15A above 1 GHz
Immunity	EN 61326:1997 + A2:2001, Table 1
EMC/EMI.....	CE, C-Tick, and FCC Part 15 (Class A) Compliant



Note For EMC compliance, you *must* operate this device with shielded cabling.

CE Compliance

This product meets the essential requirements of applicable European Directives, as amended for CE marking, as follows:

Low-Voltage Directive (safety)	73/23/EEC
Electromagnetic Compatibility Directive (EMC)	89/336/EEC



Note Refer to the Declaration of Conformity (DoC) for this product for any additional regulatory compliance information. To obtain the DoC for this product, visit ni.com/hardref.nsf, search by model number or product line, and click the appropriate link in the Certification column.

National Instruments™, NI™, and ni.com™ are trademarks of National Instruments Corporation. Product and company names mentioned herein are trademarks or trade names of their respective companies. For patents covering National Instruments products, refer to the appropriate location: **Help» Patents** in your software, the `patents.txt` file on your CD, or ni.com/patents.

© 2003 National Instruments Corp. All rights reserved.

373686A-01

Oct03