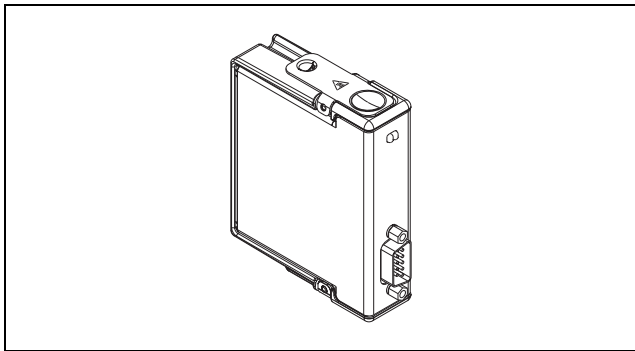


# OPERATING INSTRUCTIONS

# NI 9882

## 1-Port DeviceNet Module



These operating instructions describe how to use the National Instruments (NI) 9882 module. For information about installing, configuring, and programming your system, refer to your system documentation. The NI 9882 module requires the latest NI-DeviceNet software to be installed. The latest version of the NI-DeviceNet software is available at [ni.com/downloads](http://ni.com/downloads).



**Note** The safety guidelines and specifications in this document are specific to the NI 9882. The other components in your system may not meet the same safety ratings and specifications. Refer to the documentation for each component in your system to determine the safety ratings and specifications for the entire system.

## Safety Guidelines

---

Operate the NI 9882 only as described in these operating instructions.



**Hot Surface** This icon denotes that the component may be hot. Touching this component may result in bodily injury.

## Safety Guidelines for Hazardous Locations

The NI 9882 is suitable for use in Class I, Division 2, Groups A, B, C, D, T4 hazardous locations; Class I, Zone 2, AEx nA II T4 and Ex nA II T4 hazardous locations; and nonhazardous locations only. Follow these guidelines if you are installing the NI 9882 in a potentially explosive environment. Not following these guidelines may result in serious injury or death.



**Caution** Do *not* disconnect I/O-side wires or connectors unless power has been switched off or the area is known to be nonhazardous.



**Caution** Do *not* remove modules unless power has been switched off or the area is known to be nonhazardous.



**Caution** Substitution of components may impair suitability for Class I, Division 2.



**Caution** For Zone 2 applications, install the CompactRIO system in an enclosure rated to at least IP 54 as defined by IEC 60529 and EN 60529.



**Caution** For Zone 2 applications, install a protection device between the CAN signals and the NI 9882 CAN pins. The device must prevent the CAN Port-to-COM voltage from exceeding 55 V if there is a transient overvoltage condition.

## Special Conditions for Safe Use in Europe

This equipment has been evaluated as Ex nA II T4 equipment under DEMKO Certificate No. 07 ATEX 0626664X. Each module is marked  $\text{Ex}$  II 3G and is suitable for use in Zone 2 hazardous locations.

## Wiring the NI 9882

---

The NI 9882 has one 9-pin male D-Sub connector that provides connections to a CAN bus. The NI 9882 has pins for CAN\_H and CAN\_L, to which you connect the CAN bus signals. Connect these signals using twisted-pair cable.

The port has two common pins (COM) that are internally connected to the module's isolated reference and serve as the reference ground for CAN\_H and CAN\_L. You can connect the CAN bus reference ground (sometimes referred to as CAN\_V-) to

one or both COM pins. The port also has an optional shield pin, SHLD, that you can connect to a shielded CAN cable. Connecting SHLD may improve signal integrity and EMC performance in a noisy environment.



**Caution** You must use a UL listed ITE power supply marked LPS with the NI 9882.

The NI 9882 requires an external power supply in the range of +9 to +30 V to operate. Supply power to the NI 9882  $V_{SUP}$  pin.

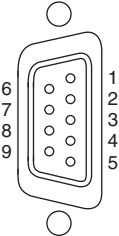


**Note** Power on  $V_{SUP}$  is required for DeviceNET operation.

The NI 9882 pinout is listed in Table 1.

The NI 9882 features software-selectable bus termination for High-Speed CAN transceivers. On the NI 9882, you can enable 120  $\Omega$  termination resistors between CAN\_H and CAN\_L through an API call. Table 3 lists recommended termination resistor values.

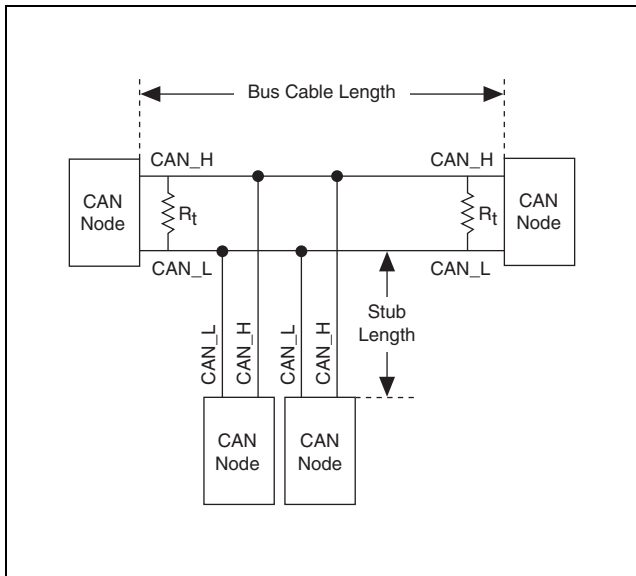
**Table 1.** Pin Assignments for the NI 9882

<b>Connector</b>	<b>Pin</b>	<b>Signal</b>
	1	No Connection (NC)
	2	CAN_L
	3	COM
	4	NC
	5	SHLD
	6	COM
	7	CAN_H
	8	NC
	9	V <sub>SUP</sub>

## CAN Bus Topology and Termination

A CAN bus consists of two or more CAN nodes cabled together. The CAN\_H and CAN\_L pins of each node are connected to the main CAN bus cable through a short connection known as a “stub.” The pair of signal wires, CAN\_H and CAN\_L, constitutes a transmission line. If the transmission line is not terminated, each signal change on the bus causes reflections that may cause communication errors. Because the CAN bus is bidirectional, both ends of the cable must be terminated. However, this requirement does not mean that every node on the bus should have a termination resistor; only the two nodes at the far end of the cable should have termination resistors.

Figure 1 shows a simplified diagram of a CAN bus with multiple CAN nodes and proper termination resistor ( $R_T$ ) locations.



**Figure 1.** CAN Bus Topology and Termination Resistor Locations



## Connecting a CAN Bus to the NI 9882

You can connect the NI 9882 port to any location on a CAN bus. Figure 2 shows one example of connecting the NI 9882 directly to one CAN node.

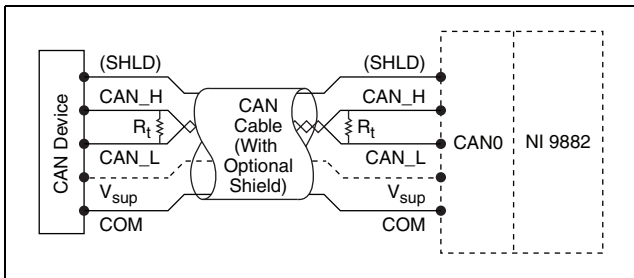


Figure 2. Connecting the NI 9882 to a CAN Device

## Cabling Requirements for the NI 9882

This section deals with cabling specifications, termination resistors, cable lengths, and the number of CAN nodes that can exist in a system.

## Cable Specifications

Cables should meet the physical medium requirements specified in ISO 11898, shown in Table 2. Belden cable (3084A) meets all these requirements and should be suitable for most applications.

**Table 2.** ISO 11898 Specifications for Characteristics of a CAN\_H and CAN\_L Pair of Wires

Characteristic	Value
Impedance	95 $\Omega$ minimum, 120 $\Omega$ nominal, 140 $\Omega$ maximum
Length-related resistance	70 m $\Omega$ /m nominal
Specific line delay	5 ns/m nominal

## Termination Resistors

The termination resistors ( $R_t$ ) should match the nominal impedance of the CAN cable and therefore comply with the values in Table 3. The onboard, software-selectable termination has a nominal value of 120  $\Omega$ . If you are not using the onboard termination, use the values listed in Table 3.

**Table 3.** Termination Resistor Specification

Characteristic	Value	Condition
Termination resistor, $R_t$	100 $\Omega$ min, 120 $\Omega$ nominal, 130 $\Omega$ max	Minimum power dissipation: 220 mW

## Cable Lengths

The cabling characteristics and desired bit transmission rates affect the allowable cable length. You can find detailed cable length recommendations in the ISO 11898, CiA DS 102, and DeviceNet specifications.

ISO 11898 specifies 40 m total cable length with a maximum stub length of 0.3 m for a bit rate of 1 Mb/s. The ISO 11898 specification says that significantly longer cable lengths may be allowed at lower bit rates, but you should analyze each node for signal integrity problems.

## Number of CAN Nodes

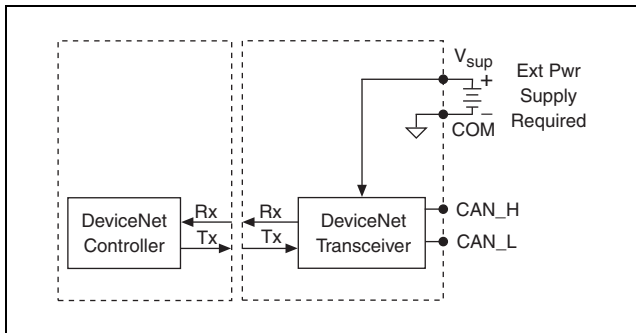
The maximum number of nodes depends on the electrical characteristics of the nodes on the network. If all nodes meet the ISO 11898 requirements, you can connect at least 30 nodes to the bus. You can connect higher numbers of nodes if the nodes' electrical characteristics do not degrade signal quality below ISO 11898 signal level specifications.

The NI 9882 electrical characteristics allow at least 110 CAN ports on a network.

## NI 9882 Hardware Overview

---

The NI 9882 has one full-featured DeviceNet port that is isolated from the other modules in the system. The port has a Bosch DCAN CAN controller that is CAN 2.0B-compatible and fully supports both 11-bit and 29-bit identifiers. The port also has a NXP PCA82C251T High-Speed CAN transceiver that is fully compatible with the ISO 11898 standard and supports baud rates up to 1 Mbps.



**Figure 3.** NI 9882 Hardware Overview

## Sleep Mode (CompactRIO Only)

You can enable sleep mode for the CompactRIO system in software. In sleep mode, the system consumes less power and may dissipate less heat. When a system is in sleep mode, you cannot communicate with the modules. Refer to the [Specifications](#) section for more information about power consumption and thermal dissipation.

# Specifications

---

The following specifications are typical for the range  $-40$  to  $70$  °C unless otherwise noted.

## High-Speed CAN Characteristics

Transceiver.....	NXP PCA82C251T
Max baud rate .....	1 Mbps
CAN_H, CAN_L bus lines voltage.....	$-27$ to $+40$ VDC
Supply voltage range ( $V_{SUP}$ )	
CAN .....	$+9$ to $+30$ VDC
MTBF .....	Contact NI for Bellcore MTBF or MIL-HDBK-217F specifications.

## Power Requirements

Power consumption from chassis	
Active mode .....	1 W max
Sleep mode .....	2.55 mW max

Thermal dissipation (at 70 °C)

Active mode ..... 1.25 W max

Sleep mode ..... 250 mW max

## Physical Characteristics

To clean the module, wipe it with a dry towel.

Weight ..... Approx. 144 g (5.0 oz)

## Safety

### Maximum Voltage<sup>1</sup>

Connect only voltages that are within these limits.

Port-to-COM ..... -27 to +40 VDC max,  
Measurement Category I

Measurement Category I is for measurements performed on circuits not directly connected to the electrical distribution system referred to as *MAINS* voltage. *MAINS* is a hazardous live electrical supply system that powers equipment. This category is for measurements of voltages from specially protected secondary

---

<sup>1</sup> The maximum voltage that can be applied or output between any port or  $V_{SUP}$  terminal and a COM terminal without creating a safety hazard.

circuits. Such voltage measurements include signal levels, special equipment, limited-energy parts of equipment, circuits powered by regulated low-voltage sources, and electronics.



**Caution** Do not connect to signals or use for measurements within Measurement Categories II, III, or IV.

## Isolation Voltages

Port-to-earth ground

Withstand.....	1000 V <sub>rms</sub> , verified by a 5 s dielectric withstand test
Continuous .....	60 VDC, Measurement Category I

## Safety Standards

This product meets the requirements of the following standards of safety for electrical equipment for measurement, control, and laboratory use:

- IEC 61010-1, EN 61010-1
- UL 61010-1, CSA 61010-1





**Note** For UL and other safety certifications, refer to the product label or the *Online Product Certification* section.

## Hazardous Locations

U.S. (UL) .....	Class I, Division 2, Groups A, B, C, D, T4; Class I, Zone 2, AEx nA II T4
Canada (C-UL) .....	Class I, Division 2, Groups A, B, C, D, T4; Class I, Zone 2, Ex nA II T4
Europe (DEMKO).....	Ex nA II T4

## Environmental

Refer to the installation instructions for the chassis you are using for more information about meeting these specifications.

Operating temperature .....	-40 to 70 °C
Storage temperature .....	-40 to 85 °C
Ingress protection.....	IP 40

Operating humidity .....	10 to 90% RH, noncondensing
Storage humidity .....	5 to 95% RH, noncondensing
Pollution Degree (IEC 60664) .....	2
Maximum altitude.....	2,000 m

Indoor use only.

## Shock and Vibration

To meet these specifications, you must panel mount the CompactRIO system.

Operating vibration,  
random (IEC 60068-2-64) ..... 5 g<sub>rms</sub>, 10 to 500 Hz

Operating shock  
(IEC 60068-2-27)..... 30 g, 11 ms half sine,  
50 g, 3 ms half sine,  
18 shocks at 6 orientations

Operating vibration,  
sinusoidal (IEC 60068-2-6) ..... 5 g, 10 to 500 Hz

## Electromagnetic Compatibility

This product meets the requirements of the following EMC standards for electrical equipment for measurement, control, and laboratory use:

- EN 61326 (IEC 61326): Class A emissions; Basic immunity
- EN 55011 (CISPR 11): Group 1, Class A emissions
- AS/NZS CISPR 11: Group 1, Class A emissions
- FCC 47 CFR Part 15B: Class A emissions
- ICES-001: Class A emissions



**Note** For the standards applied to assess the EMC of this product, refer to the [Online Product Certification](#) section.



**Note** For EMC compliance, operate this product according to the documentation.

## CE Compliance

This product meets the essential requirements of applicable European Directives as follows:

- 2006/95/EC; Low-Voltage Directive (safety)
- 2004/108/EC; Electromagnetic Compatibility Directive (EMC)

## Online Product Certification

Refer to the product Declaration of Conformity (DoC) for additional regulatory compliance information. To obtain product certifications and the DoC for this product, visit [ni.com/certification](http://ni.com/certification), search by model number or product line, and click the appropriate link in the Certification column.

## Environmental Management

NI is committed to designing and manufacturing products in an environmentally responsible manner. NI recognizes that eliminating certain hazardous substances from our products is beneficial to the environment and to NI customers.

For additional environmental information, refer to the *NI and the Environment* Web page at [ni.com/environment](http://ni.com/environment). This page contains the environmental regulations and directives with which NI complies, as well as other environmental information not included in this document.

## Waste Electrical and Electronic Equipment (WEEE)



**EU Customers** At the end of the product life cycle, all products *must* be sent to a WEEE recycling center. For more information about WEEE recycling centers, National Instruments WEEE initiatives, and compliance with WEEE Directive 2002/96/EC on Waste and Electronic Equipment, visit [ni.com/environment/weee](http://ni.com/environment/weee).

## 电子信息产品污染控制管理办法（中国 RoHS）



**中国客户** National Instruments 符合中国电子信息产品中限制使用某些有害物质指令 (RoHS)。关于 National Instruments 中国 RoHS 合规性信息, 请登录 [ni.com/environment/rohs\\_china](http://ni.com/environment/rohs_china)。(For information about China RoHS compliance, go to [ni.com/environment/rohs\\_china](http://ni.com/environment/rohs_china).)

## Where to Go for Support

---

The National Instruments Web site is your complete resource for technical support. At [ni.com/support](http://ni.com/support) you have access to everything from troubleshooting and application development self-help resources to email and phone assistance from NI Application Engineers.

National Instruments corporate headquarters is located at 11500 North Mopac Expressway, Austin, Texas, 78759-3504. National Instruments also has offices located around the world to help address your support needs. For telephone support in the United States, create your service request at [ni.com/support](http://ni.com/support) and follow the calling instructions or dial 512 795 8248. For telephone support outside the United States, contact your local branch office:

Australia 1800 300 800, Austria 43 662 457990-0,  
Belgium 32 (0) 2 757 0020, Brazil 55 11 3262 3599,  
Canada 800 433 3488, China 86 21 5050 9800,  
Czech Republic 420 224 235 774, Denmark 45 45 76 26 00,  
Finland 358 (0) 9 725 72511, France 01 57 66 24 24,  
Germany 49 89 7413130, India 91 80 41190000,  
Israel 972 3 6393737, Italy 39 02 41309277, Japan 0120-527196,

Korea 82 02 3451 3400, Lebanon 961 (0) 1 33 28 28,  
Malaysia 1800 887710, Mexico 01 800 010 0793,  
Netherlands 31 (0) 348 433 466, New Zealand 0800 553 322,  
Norway 47 (0) 66 90 76 60, Poland 48 22 328 90 10,  
Portugal 351 210 311 210, Russia 7 495 783 6851,  
Singapore 1800 226 5886, Slovenia 386 3 425 42 00,  
South Africa 27 0 11 805 8197, Spain 34 91 640 0085,  
Sweden 46 (0) 8 587 895 00, Switzerland 41 56 2005151,  
Taiwan 886 02 2377 2222, Thailand 662 278 6777,  
Turkey 90 212 279 3031, United Kingdom 44 (0) 1635 523545

LabVIEW, National Instruments, NI, ni.com, the National Instruments corporate logo, and the Eagle logo are trademarks of National Instruments Corporation. Refer to the *Trademark Information* at [ni.com/trademarks](http://ni.com/trademarks) for other National Instruments trademarks. Other product and company names mentioned herein are trademarks or trade names of their respective companies. For patents covering National Instruments products/technology, refer to the appropriate location: **Help»Patents** in your software, the `patents.txt` file on your media, or the *National Instruments Patent Notice* at [ni.com/patents](http://ni.com/patents).

© 2010 National Instruments Corp. All rights reserved.