

## INSTALLATION GUIDE

# NI PS-15/16/17 Panel Mount Brackets

This document provides the installation procedure for the NI PS-15/16/17 Panel Mount Brackets. Use accessory 199432-01 to mount NI PS-15/16/17 power supplies without using a DIN-Rail.

## Bracket and Mounting Dimensions

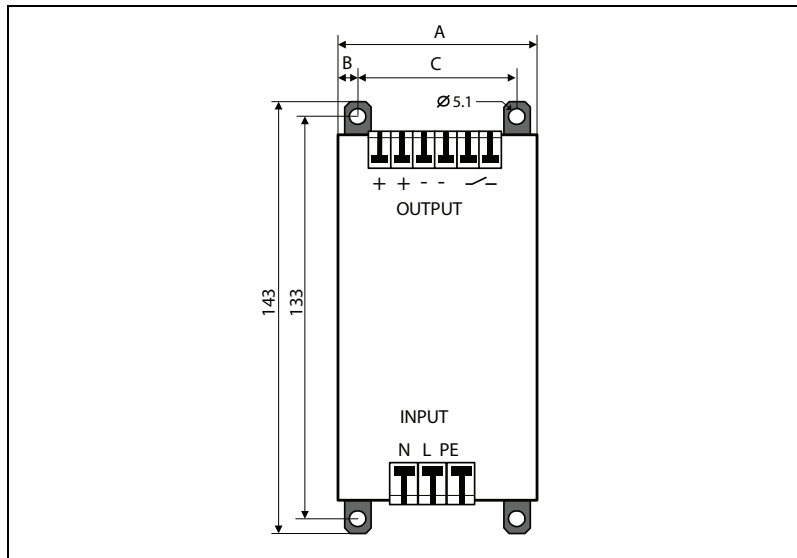
---

This section provides dimensions for the brackets and the finished assemblies when the brackets are attached to the power supply. Table 1 provides a summary of the dimensions when the panel mount brackets are mounted to a specific power supply, and Figure 1 provides a visual representation for quick reference. The *Unit* column lists the available power supplies. The *A* column provides width dimensions for each power supply. The *B* column provides the distance between the center of a bracket to the outside edge of the specified power supply when properly installed. The *C* column provides the distance between the center of each bracket when installed properly onto a specified power supply.

**Table 1.** Bracket/Power Supply Assembly Dimensions

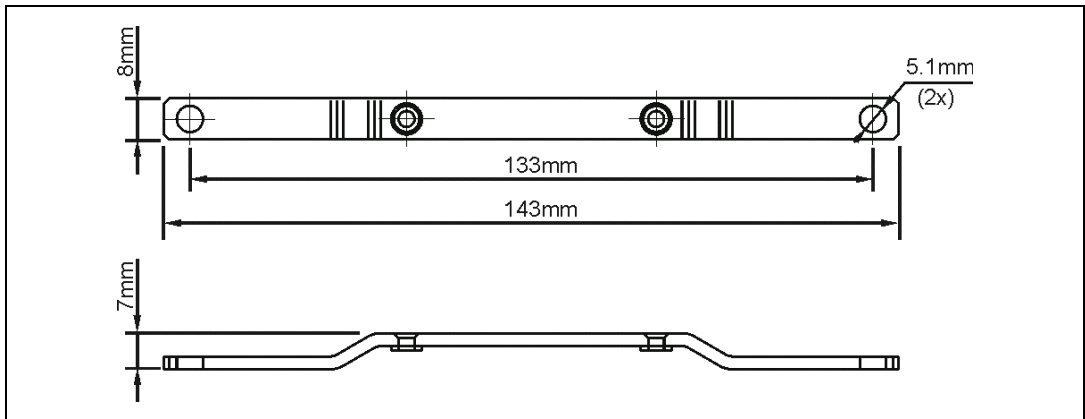
Unit	A	B	C
NI PS-15	32 mm	4.8 mm	22.5 mm
NI PS-16	60 mm	5.8 mm	48.5 mm
NI PS-17	82 mm	8.0 mm	66.0 mm

Figure 1 shows the constants and variables of a unit equipped with the panel mount brackets as viewed from the front. The *A*, *B*, and *C* dimensions are dependent upon the power supply used, and those dimensions are available in Table 1. All measurements are in millimeters.



**Figure 1.** Assembly Dimension Variables

Figure 2 provides the dimensions for each bracket.



**Figure 2.** Panel Mount Bracket Dimensions

Weight..... 25 g (0.06 lb.) each  
50 g (0.11 lb.) for one set

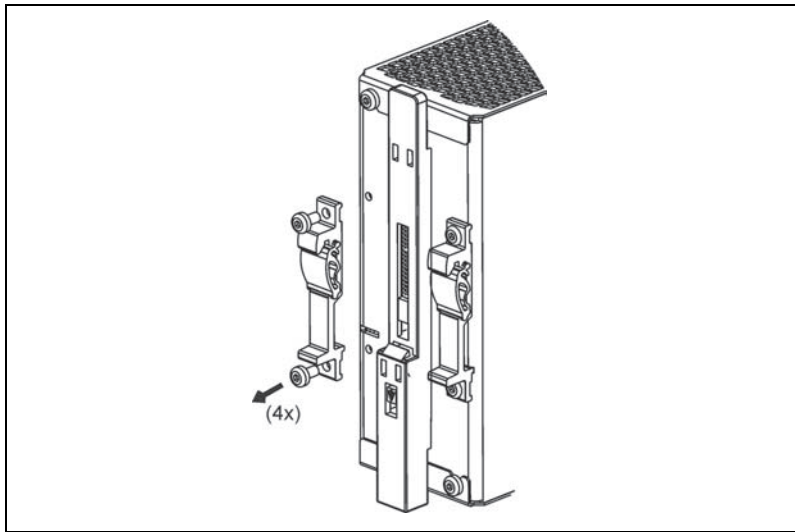
## Assembly and Mounting Instructions

Complete the following steps to mount the panel mount brackets to a power supply.



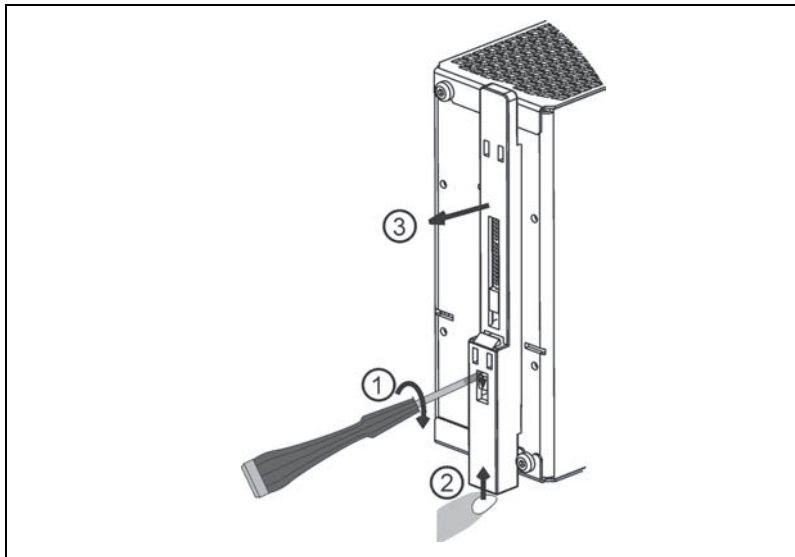
**Note** The two aluminum brackets and the black plastic slide must be removed from the units to allow mounting of the zinc-plated steel brackets.

1. Detach the two aluminium brackets by removing the four screws with a Torx 10 screwdriver, as shown in Figure 3.



**Figure 3.** Removing the Aluminum Brackets

2. Remove the plastic lock mechanism with a flathead screwdriver to move the lock downward while at the same time pushing the plastic slider upwards. Detach the plastic slider, as shown in Figure 4.

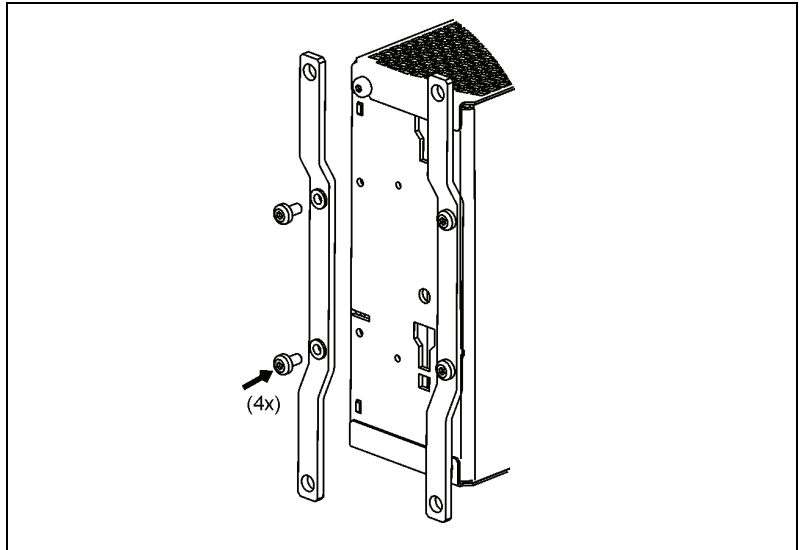


**Figure 4.** Removing the Plastic Slider



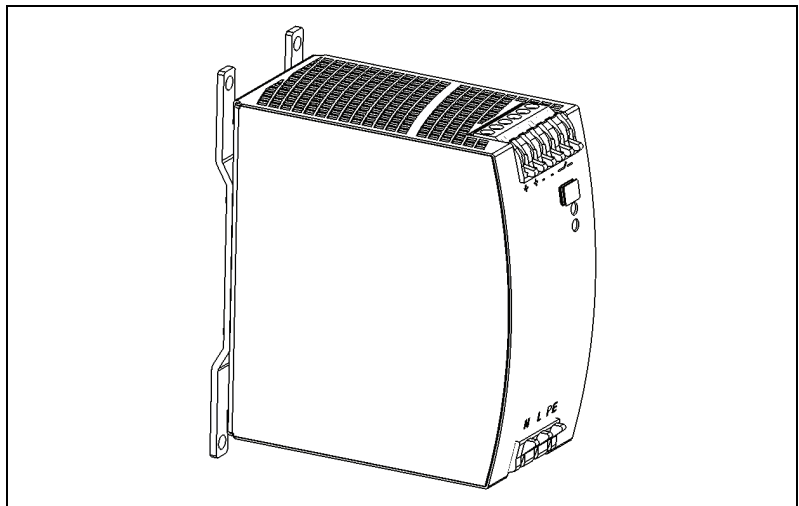
**Caution** Do not over-tighten the screws. The recommended tightening torque is 0.6 Nm/5.3 lb. in.

3. Mount the steel brackets with the same screws from the DIN-Rail brackets as shown in Figure 5.



**Figure 5.** Mounting the Steel Brackets

Figure 6 provides a view of the assembly as it should appear when complete.



**Figure 6.** Power Supply with Panel Mount Brackets Installed

# Where to Go for Support

---

The National Instruments Web site is your complete resource for technical support. At [ni.com/support](http://ni.com/support) you have access to everything from troubleshooting and application development self-help resources to email and phone assistance from NI Application Engineers.

National Instruments corporate headquarters is located at 11500 North Mopac Expressway, Austin, Texas, 78759-3504. National Instruments also has offices located around the world to help address your support needs. For telephone support in the United States, create your service request at [ni.com/support](http://ni.com/support) and follow the calling instructions or dial 512 795 8248. For telephone support outside the United States, contact your local branch office:

Australia 1800 300 800, Austria 43 662 457990-0,  
Belgium 32 (0) 2 757 0020, Brazil 55 11 3262 3599,  
Canada 800 433 3488, China 86 21 5050 9800,  
Czech Republic 420 224 235 774, Denmark 45 45 76 26 00,  
Finland 358 (0) 9 725 72511, France 01 57 66 24 24,  
Germany 49 89 7413130, India 91 80 41190000, Israel 972 3 6393737,  
Italy 39 02 41309277, Japan 0120-527196, Korea 82 02 3451 3400,  
Lebanon 961 (0) 1 33 28 28, Malaysia 1800 887710,  
Mexico 01 800 010 0793, Netherlands 31 (0) 348 433 466,  
New Zealand 0800 553 322, Norway 47 (0) 66 90 76 60,  
Poland 48 22 328 90 10, Portugal 351 210 311 210,  
Russia 7 495 783 6851, Singapore 1800 226 5886,  
Slovenia 386 3 425 42 00, South Africa 27 0 11 805 8197,  
Spain 34 91 640 0085, Sweden 46 (0) 8 587 895 00,  
Switzerland 41 56 2005151, Taiwan 886 02 2377 2222,  
Thailand 662 278 6777, Turkey 90 212 279 3031,  
United Kingdom 44 (0) 1635 523545

National Instruments, NI, ni.com, and LabVIEW are trademarks of National Instruments Corporation. Refer to the *Terms of Use* section on [ni.com/legal](http://ni.com/legal) for more information about National Instruments trademarks. Other product and company names mentioned herein are trademarks or trade names of their respective companies. For patents covering National Instruments products/technology, refer to the appropriate location: **Help»Patents** in your software, the `patents.txt` file on your media, or the *National Instruments Patent Notice* at [ni.com/patents](http://ni.com/patents).