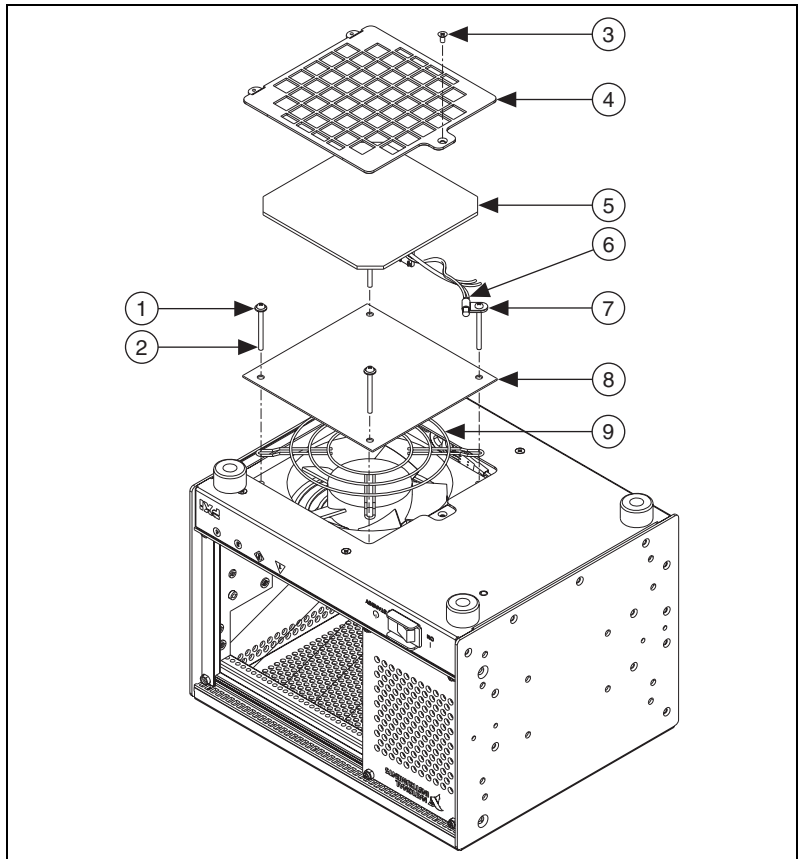


# NI PXI-103x Chassis Fan Replacement

This guide describes how to replace the fan on an NI PXI-103x chassis.

The following figure shows the parts you must remove to access the fan. Refer to the following pages for installation and removal instructions.



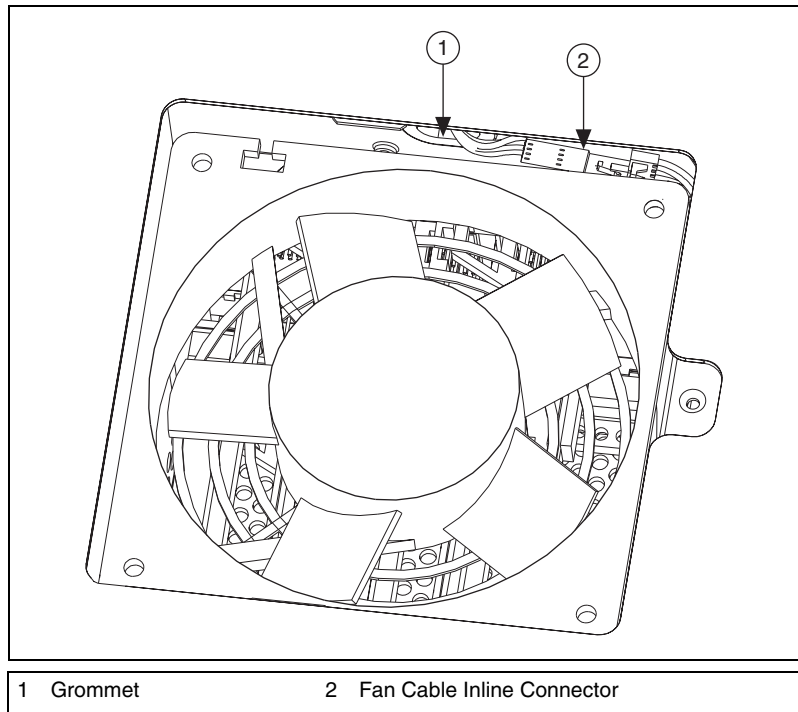
- |                          |                    |                    |
|--------------------------|--------------------|--------------------|
| 1 Washers (x3 each)      | 4 Fan Access Panel | 7 Thermistor Clip  |
| 2 Fan Screw (x4)         | 5 Fan Filter       | 8 Fan Guard Screen |
| 3 Fan Access Panel Screw | 6 Thermistor       | 9 Fan Guard        |

Follow these steps to replace the fan (refer to the previous figure for parts locations):

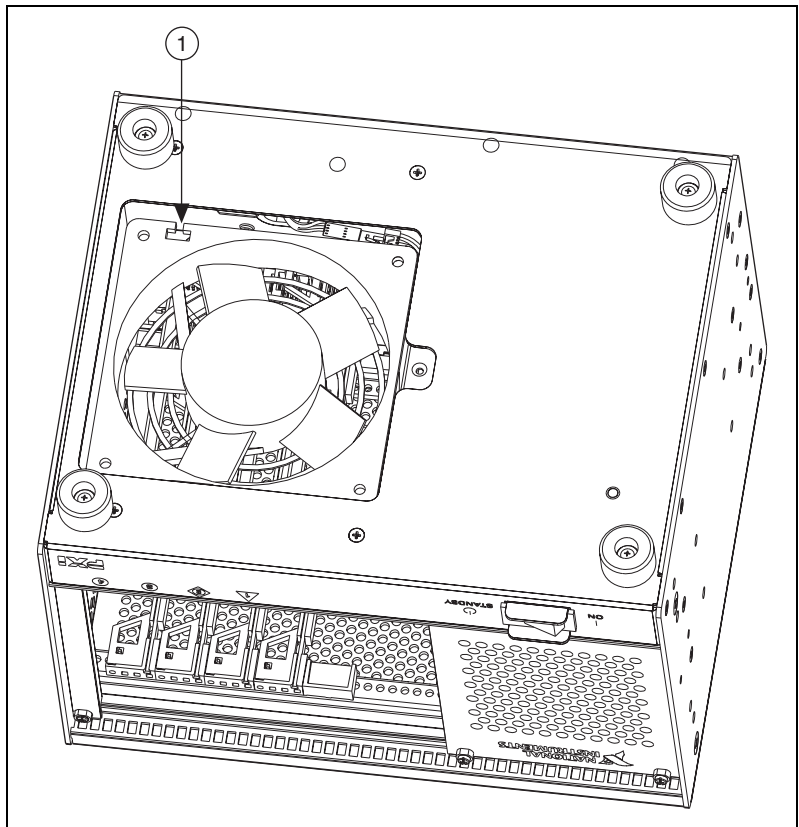
1. Locate the fan access panel on the bottom of the chassis. Remove the access panel screw and the access panel.
2. Remove the fan filter.
3. Remove the four screws that fasten the fan. Be careful not to lose the screws or washers. (If you lose a screw, replace it with an M3 × 0.5 × 35 mm pan head Phillips screw.)
4. Remove the thermistor and fan guards.
5. Remove the fan.
6. Disconnect the fan cable from the inline connector protruding through the grommet in the fan bracket. The connector is shown below.



**Caution** Do not allow the wires to fall through the grommet.



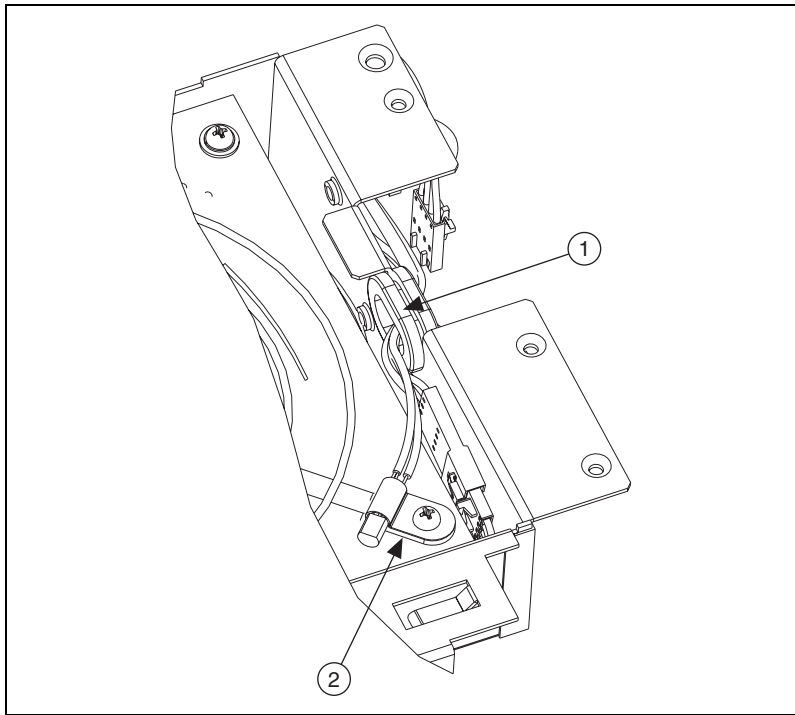
7. Connect the new fan to the inline connector. Place the fan inside the fan bracket with the square slot oriented relative to the grommet as shown below. The fan flow direction is into the chassis, so the plastic grill on the fan should face toward the PXI card cage.



1 Square Slot on Fan Housing

8. Place the fan guards on top of the fan with the round wire guard closest to the fan and the screen guard on top of the round wire guard.

9. Insert three of the four screws with the flat washers closest to the fan and the split spring washers closest to the screw heads. The fourth screw does not use washers, but instead anchors the thermistor. Insert the fourth screw through the thermistor clip hole and orient the thermistor as shown below.



1 Grommet

2 Thermistor and Clip

10. Tighten the screws to between 5.7 lb in minimum torque and 6.7 lb in maximum torque.
11. Place the fan filter on top of the fan guards.
12. Place the fan access panel over the opening. Insert and tighten the access panel screw.

National Instruments, NI, ni.com, and LabVIEW are trademarks of National Instruments Corporation. Refer to the *Terms of Use* section on [ni.com/legal](http://ni.com/legal) for more information about National Instruments trademarks. Other product and company names mentioned herein are trademarks or trade names of their respective companies. For patents covering National Instruments products/technology, refer to the appropriate location: **Help»Patents** in your software, the `patents.txt` file on your media, or the *National Instruments Patent Notice* at [ni.com/patents](http://ni.com/patents).