

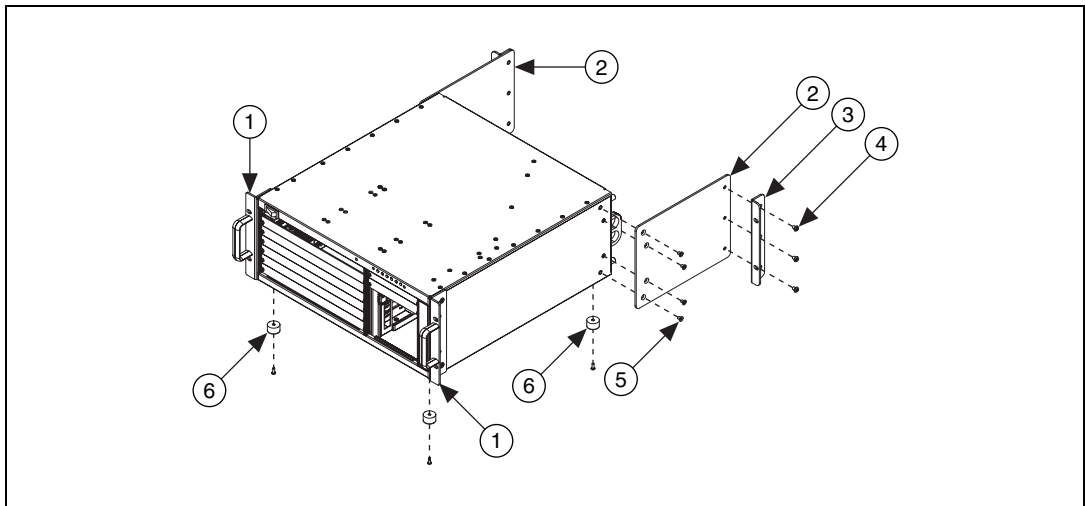
INSTALLATION GUIDE

NI PXI-1056 Optional Rear Rack Mount Kit



Note Use this kit in conjunction with the NI PXI-1056 front rack mount kit.

To mount the NI PXI-1056 in an instrument rack, complete the following steps.



1 Front Rack Mount Kit	3 Mounting Bracket Flange	5 10-32 Flathead Screws (Qty. 8)
2 Mounting Brackets	4 10-32 Panhead Screws (Qty. 6)	6 Bottom Feet

Figure 1. NI PXI-1056 in Rack Mount Configuration

1. Remove the bottom feet (as required) from the NI PXI-1056 chassis.
2. Install the mounting brackets onto each side of the chassis using the 10-32 flathead screws supplied.
3. Attach the mounting bracket flanges to the mounting brackets using the 10-32 panhead screws supplied.
4. Install the chassis in the instrument rack using eight screws (not supplied).

National Instruments, NI, ni.com, and LabVIEW are trademarks of National Instruments Corporation. Refer to the *Terms of Use* section on ni.com/legal for more information about National Instruments trademarks. Other product and company names mentioned herein are trademarks or trade names of their respective companies. For patents covering National Instruments products, refer to the appropriate location: **Help»Patents** in your software, the `patents.txt` file on your CD, or ni.com/patents.