

INSTALLATION GUIDE

NI PXI 3U/6U Adapter Kit



Note Use this kit in conjunction with the NI PXI-1056 chassis.

To install the NI 3U/6U adapter, complete the following steps.

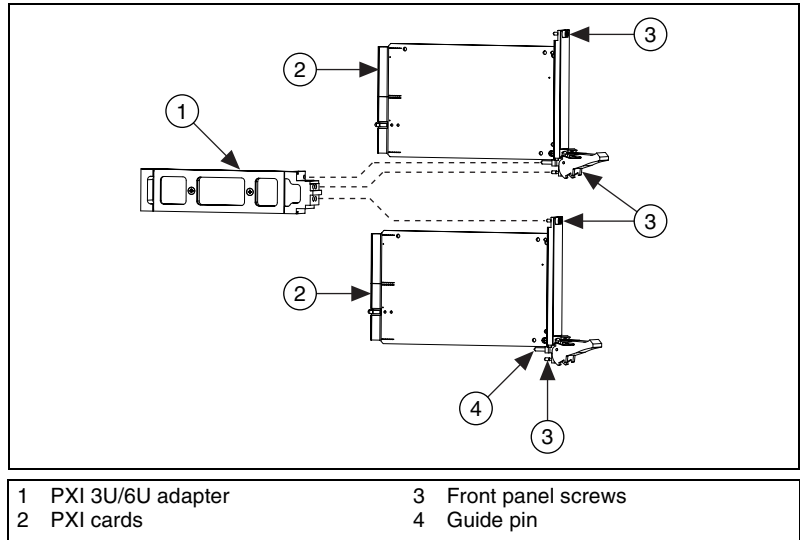


Figure 1. NI PXI 3U/6U Adapter Installation

1. Ensure that the screws on the NI PXI 3U/6U adapter are not tightened. If the screws are tight, loosen one turn.
2. Insert the guide pin from the top card into the adapter as shown and tighten the front panel screw.
3. Insert the bottom card into the guide rail on the adapter and tighten the front panel screw.
4. Make sure each card is fully seated in its respective groove on the adapter and tighten the two screws on the adapter.



Note It is important that both cards are completely seated in the adapter. If the cards are not properly aligned, pins on the backplane may be bent when the assembly is inserted into the chassis.

National Instruments, NI, ni.com, and LabVIEW are trademarks of National Instruments Corporation. Refer to the *Terms of Use* section on ni.com/legal for more information about National Instruments trademarks. Other product and company names mentioned herein are trademarks or trade names of their respective companies. For patents covering National Instruments products, refer to the appropriate location: **Help»Patents** in your software, the `patents.txt` file on your CD, or ni.com/patents.