

## USER GUIDE

# NI Camera Link I/O Extension Board

## Contents

---

|   |    |
|---|----|
| Introduction .....  | 2  |
| Installing the I/O Extension Board.....                                   | 2  |
| What You Need to Get Started .....  | 2  |
| Optional Equipment .....  | 2  |
| Safety Information .....  | 3  |
| Unpacking .....   | 5  |
| Installing .....  | 5  |
| Configuring the TTL I/O .....   | 6  |
| Connecting the Power Supply.....  | 8  |
| Connecting the I/O Extension Board to an<br>Image Acquisition Device..... | 9  |
| Signal Connections .....  | 9  |
| Wiring Recommendations .....  | 10 |
| Connections .....   | 10 |
| Connecting an Isolated Input to Output Devices .....                      | 13 |
| Connecting an Isolated Output to an External Load.....                    | 14 |
| Protecting Inductive Loads .....  | 15 |
| Connecting to a Quadrature Encoder.....                                   | 15 |
| Optional 37-Pin Terminal Block.....                                       | 18 |
| Specifications .....  | 20 |
| TTL I/O.....  | 20 |
| Optically Isolated Inputs.....  | 20 |
| Optically Isolated Outputs .....  | 21 |
| Quadrature Encoder Inputs .....   | 21 |
| Camera Power .....  | 22 |
| Physical Characteristics .....  | 22 |
| Environment.....  | 22 |
| Safety .....  | 22 |
| Electromagnetic Compatibility .....                                       | 22 |
| CE Compliance .....   | 23 |
| Where to Go for Support.....  | 23 |

# Introduction

---

The NI Camera Link I/O Extension Board is designed to connect to National Instruments image acquisition devices to offer additional I/O capabilities.

The I/O Extension Board offers the following functionality:

- 8 TTL I/O. The start-up condition for the TTL I/O is user selectable. Refer to Figure 1, [Configuring the TTL I/O](#), for more information about using the jumper to select the start up condition for the TTL I/O.
- 3 optically isolated inputs.
- 3 optically isolated outputs.
- Quadrature encoder input.
- Camera power (+5 V or +12 V).

## Installing the I/O Extension Board

---

The following sections contain information about what you need to get started using the I/O Extension Board, important safety information, and information about unpacking, installing, and configuring the I/O Extension Board.

### What You Need to Get Started

To set up and use the I/O Extension Board, you must have the following items:

- NI-IMAQ 3.1 or later
- Image acquisition device that supports the I/O Extension Board
- PC running Windows with an available PCI slot
- 50-pin ribbon cable, included in kit

### Optional Equipment

- ATX power extension cable (part number 192240-01)
- Digital I/O cable and horizontal DIN rail terminal block (part number 778790-01)
- Digital I/O cable and vertical DIN rail terminal block (part number 778791-01)

## Safety Information



**Caution** The following paragraphs contain important safety information you *must* follow when installing and operating the I/O Extension Board and all devices connecting to the I/O Extension Board.

Do *not* operate the device in a manner not specified in the documentation. Misuse of the device may result in a hazard and may compromise the safety protection built into the device. If the device is damaged, turn it off and do *not* use it until service-trained personnel can check its safety. If necessary, return the device to National Instruments for repair.

Keep away from live circuits. Do *not* remove equipment covers or shields unless you are trained to do so. If signal wires are connected to the device, hazardous voltages can exist even when the equipment is turned off. To avoid a shock hazard, do *not* perform procedures involving cover or shield removal unless you are qualified to do so. Disconnect all field power prior to removing covers or shields.

If the device is rated for use with hazardous voltages ( $>30 V_{\text{rms}}$ ,  $42.4 V_{\text{pk}}$ , or  $60 V_{\text{dc}}$ ), it may require a safety earth-ground connection wire. Refer to the device specifications for maximum voltage ratings.

Because of the danger of introducing additional hazards, do *not* install unauthorized parts or modify the device. Use the device only with the chassis, modules, accessories, and cables specified in the installation instructions. All covers and filler panels *must* be installed while operating the device.

Do *not* operate the device in an explosive atmosphere or where flammable gases or fumes may be present. Operate the device only at or below the pollution degree stated in the specifications. Pollution consists of any foreign matter—solid, liquid, or gas—that may reduce dielectric strength or surface resistivity. The following is a description of pollution degrees.

- Pollution Degree 1—No pollution or only dry, nonconductive pollution occurs. The pollution has no effect.
- Pollution Degree 2—Normally only nonconductive pollution occurs. Occasionally, nonconductive pollution becomes conductive because of condensation.
- Pollution Degree 3—Conductive pollution or dry, nonconductive pollution occurs. Nonconductive pollution becomes conductive because of condensation.

Clean the device and accessories by brushing off light dust with a soft, nonmetallic brush. Remove other contaminants with a stiff, nonmetallic

brush. The unit *must* be completely dry and free from contaminants before returning it to service.

You *must* insulate signal connections for the maximum voltage for which the device is rated. Do *not* exceed the maximum ratings for the device. Remove power from signal lines before connection to or disconnection from the device.



**Caution** National Instruments measurement products may be classified as either Measurement Category I or II. Operate products at or below the Measurement Category level specified in the hardware specifications.

**Measurement Category**<sup>1</sup>: Measurement circuits are subjected to working voltages<sup>2</sup> and transient stresses (overvoltage) from the circuit to which they are connected during measurement or test. Measurement Category establishes standardized impulse withstand voltage levels that commonly occur in electrical distribution systems. The following is a description of Measurement (Installation)<sup>3</sup> Categories:

- Measurement Category I is for measurements performed on circuits *not* directly connected to the electrical distribution system referred to as MAINS<sup>4</sup> voltage. This category is for measurements of voltages from specially protected secondary circuits. Such voltage measurements include signal levels, special equipment, limited-energy parts of equipment, circuits powered by regulated low-voltage sources, and electronics.
- Measurement Category II is for measurements performed on circuits directly connected to the electrical distribution system. This category refers to local-level electrical distribution, such as that provided by a standard wall outlet (e.g., 115 V for U.S. or 230 V for Europe). Examples of Measurement Category II are measurements performed on household appliances, portable tools, and similar products.
- Measurement Category III is for measurements performed in the building installation at the distribution level. This category refers to measurements on hard-wired equipment such as equipment in fixed installations, distribution boards, and circuit breakers. Other examples are wiring, including cables, bus-bars, junction boxes, switches, socket-outlets in the fixed installation, and stationary motors with permanent connections to fixed installations.

---

<sup>1</sup> Measurement Categories as defined in electrical safety standard IEC 61010-1.

<sup>2</sup> Working voltage is the highest rms value of an AC or DC voltage that can occur across any particular insulation.

<sup>3</sup> Measurement Category is also referred to as Installation Category.

<sup>4</sup> MAINS is defined as the (hazardous live) electrical supply system to which equipment is designed to be connected for the purpose of powering the equipment. Suitably rated measuring circuits may be connected to the MAINS for measuring purposes.

# Unpacking

The I/O Extension Board ships in an antistatic package to prevent electrostatic discharge from damaging device components. To avoid such damage in handling your device, take the following precautions:

- Ground yourself via a grounding strap or by holding a grounded object, such as the computer chassis.
- Touch the antistatic package to a metal part of the computer chassis before removing the device from the package.



**Caution** *Never* touch the exposed pins of connectors.

Remove the device from the package and inspect it for loose components or any other signs of damage. Notify National Instruments if the device appears damaged in any way. Do *not* install a damaged device in the computer.

Store the I/O Extension board in the antistatic package when not in use.

# Installing

The following instructions are for general installation. Refer to the documentation provided by your computer manufacturer for specific instructions and warnings about installing hardware in the computer. Refer to the [Specifications](#) section for a list of the typical power requirements for the I/O Extension Board.

1. Power off and unplug the computer.



**Caution** To protect yourself and the computer from electrical hazards, the computer should remain unplugged until the installation is complete.

2. Remove the computer cover to expose the PCI expansion slots.
3. Choose an unused PCI slot, and remove the corresponding expansion slot cover on the back panel of the computer.
4. Touch a metal part on the computer case to discharge any static electricity that might be on your clothes or body before handling the I/O Extension Board. Static electricity can damage the device.
5. Remove the I/O Extension Board from the antistatic package and gently rock the device into the slot. The connection may be tight, but do *not* force the device into place.
6. Unless your computer secures expansion devices in a different manner, screw the mounting bracket of the device to the back panel rail of the computer.

7. To provide power to your camera, connect an unused power connector from the ATX power supply on your computer to the camera power ATX connector on the I/O Extension Board. Refer to Figure 2, [Connecting the Power Supply](#), for more information about how to connect the power cable.
8. Connect the 50-pin ribbon cable from the I/O Extension Board to your image acquisition device. Refer to Figure 3, [Connecting the I/O Extension Board to an Image Acquisition Device](#), for more information about how to connect the I/O Extension board to an image acquisition device.
9. Replace the computer cover.
10. Plug in and power on the computer.

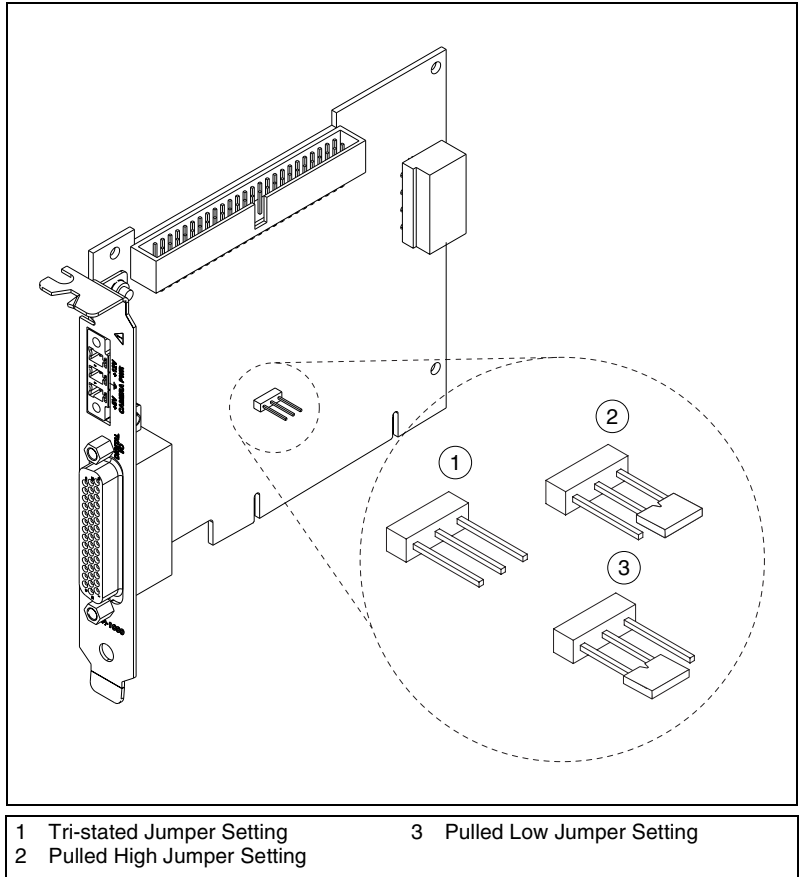
The I/O Extension Board is installed.

## Configuring the TTL I/O

The start-up condition for the TTL I/O is user selectable. The TTL I/O can either be pulled high, pulled low, or tri-stated.

- To pull the TTL I/O lines high, connect the jumper to `Signal` and `+5V`.
- To pull the TTL I/O lines low, connect the jumper to `Signal` and `GND`.
- To tri-state the TTL I/O lines, remove the jumper.

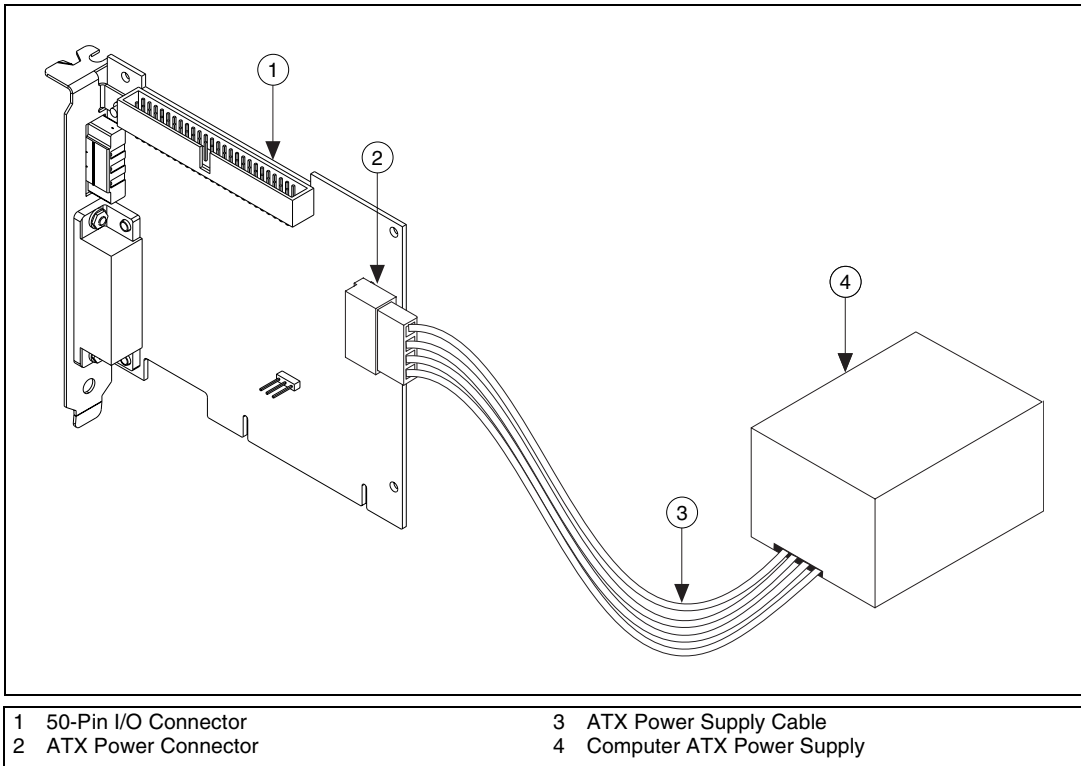
Figure 1 shows how to use the jumper setting to connect the start up condition for the TTL I/O to be pulled high, pulled low, or tri-stated.



**Figure 1.** Configuring the TTL I/O

## Connecting the Power Supply

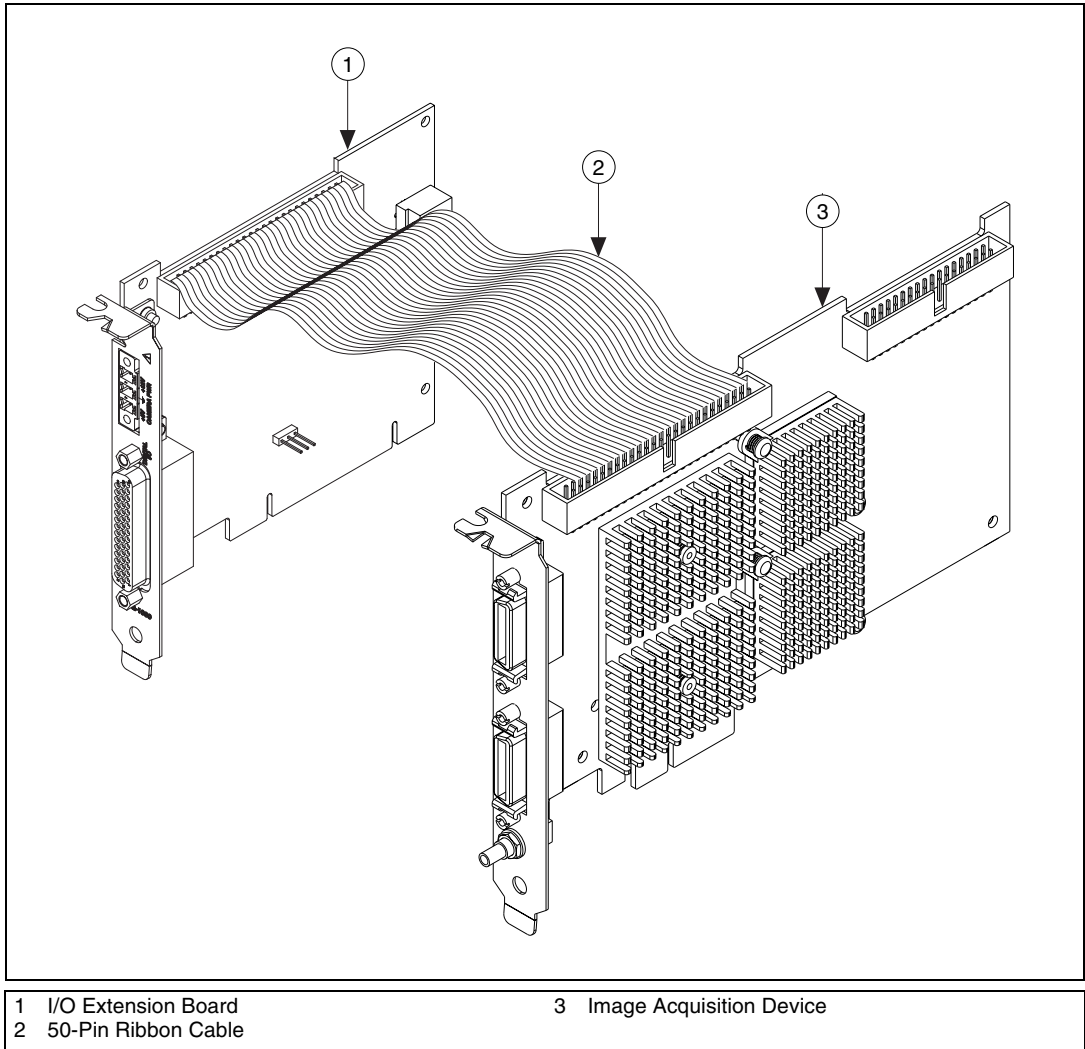
Figure 2 shows how to connect the power cable from your PC power supply to the ATX power supply connector on the I/O Extension Board.



**Figure 2.** Connecting the Power Supply

## Connecting the I/O Extension Board to an Image Acquisition Device

Figure 3 shows how to connect the 50-pin ribbon cable from the I/O Extension Board to an image acquisition device that supports the I/O Extension Board.



**Figure 3.** Connecting the I/O Extension Board to an Image Acquisition Device

## Signal Connections

The following section describes the signal connections for the I/O Extension Board.

# Wiring Recommendations



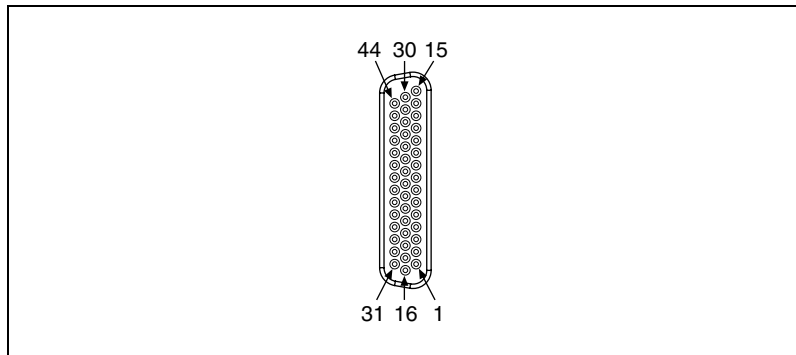
**Caution** Failure to follow these precautions may result in system instability and may cause permanent damage to system components.

The following list includes wiring recommendations.

- Keep high-voltage lines, such as AC power cables, away from low-level signals, such as encoders.
- Use twisted pair cable for differential signals, such as encoders.
- Ensure that all cables connected to the I/O Extension Board include a braided shield.
- Use hoods with internal metallic shielding for D-SUB connectors.
- Ensure that all power supplies in the system are powered down when connecting them to the I/O Extension Board.

## Connections

Figure 4 shows the pinout of the 44-pin D-SUB connector.



**Figure 4.** 44-pin D-SUB Connector

Table 1 lists pin numbers, signal names, and signal descriptions for the 44-pin D-SUB connector on the I/O Extension Board.

**Table 1.** D-SUB Connector Signals

| Pin Number | Signal Name    | Signal Description   |
|------------|----------------|--|
| 1          | +12 V Camera   | +12 V Camera Power   |
| 2          | Digital Ground | Direct connection to Digital Ground on the I/O Extension Board |
| 3          | TTL I/O 1      | General Purpose TTL Input/Output Line                          |
| 4          | TTL I/O 2      | General Purpose TTL Input/Output Line                          |

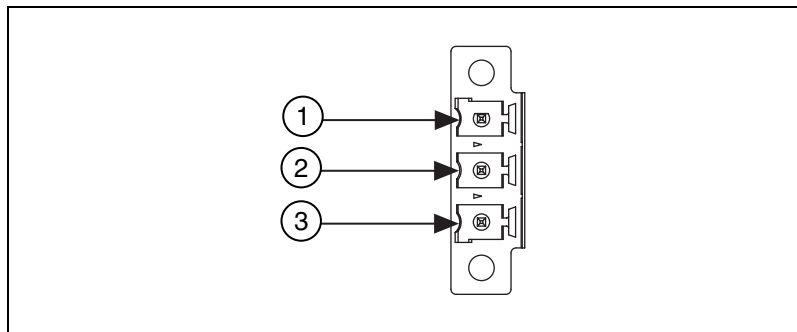
**Table 1.** D-SUB Connector Signals (Continued)

| Pin Number | Signal Name      | Signal Description   |
|------------|------------------|--|
| 5          | Digital Ground   | Direct connection to Digital Ground on the I/O Extension Board |
| 6          | TTL I/O 3        | General Purpose TTL Input/Output Line                          |
| 7          | TTL I/O 4        | General Purpose TTL Input/Output Line                          |
| 8          | Digital Ground   | Direct connection to Digital Ground on the I/O Extension Board |
| 9          | NC               | No Connect   |
| 10         | V <sub>iso</sub> | Isolated Power   |
| 11         | C <sub>iso</sub> | Isolated Power Common  |
| 12         | Iso Output 0     | General Purpose Isolated Output                                |
| 13         | Iso Output 1     | General Purpose Isolated Output                                |
| 14         | C <sub>iso</sub> | Isolated Power Common  |
| 15         | Iso Input 1+     | Isolated Input Positive Connection                             |
| 16         | +12 V Camera     | +12 V Camera Power   |
| 17         | Digital Ground   | Direct connection to Digital Ground on the I/O Extension Board |
| 18         | TTL I/O 5        | General Purpose TTL Input/Output Line                          |
| 19         | TTL I/O 6        | General Purpose TTL Input/Output Line                          |
| 20         | Digital Ground   | Direct connection to Digital Ground on the I/O Extension Board |
| 21         | TTL I/O 7        | General Purpose TTL Input/Output Line                          |
| 22         | TTL I/O 8        | General Purpose TTL Input/Output Line                          |
| 23         | Digital Ground   | Direct connection to Digital Ground on the I/O Extension Board |
| 24         | NC               | No Connect   |
| 25         | V <sub>iso</sub> | Isolated Power   |
| 26         | C <sub>iso</sub> | Isolated Power Common  |
| 27         | Iso Input 2+     | Isolated Input Positive Connection                             |
| 28         | Iso Input 2–     | Isolated Input Negative Connection                             |
| 29         | C <sub>iso</sub> | Isolated Power Common  |

**Table 1.** D-SUB Connector Signals (Continued)

| Pin Number | Signal Name      | Signal Description                     |
|------------|------------------|--|
| 30         | Iso Input 1–     | Isolated Input Negative Connection     |
| 31         | +5 V Camera      | +5 V Camera Power                      |
| 32         | +5 V Camera      | +5 V Camera Power                      |
| 33         | C <sub>iso</sub> | Isolated Power Common                  |
| 34         | Phase A+         | Quadrature Phase A Positive Connection |
| 35         | Phase A–         | Quadrature Phase A Negative Connection |
| 36         | C <sub>iso</sub> | Isolated Power Common                  |
| 37         | NC               | No Connect                             |
| 38         | Phase B+         | Quadrature Phase B Positive Connection |
| 39         | C <sub>iso</sub> | Isolated Power Common                  |
| 40         | Phase B–         | Quadrature Phase B Negative Connection |
| 41         | Iso Output 2     | General Purpose Isolated Output        |
| 42         | C <sub>iso</sub> | Isolated Power Common                  |
| 43         | Iso Input 0+     | Isolated Input Positive Connection     |
| 44         | Iso Input 0–     | Isolated Input Negative Connection     |

Figure 5 shows the pinout of the 3-pin screw terminal connector.



**Figure 5.** 3-pin Screw Terminal Connector

Table 2 lists pin numbers, signal names, and signal descriptions for the 3-pin screw terminal connector on the I/O Extension Board.

**Table 2.** 3-Pin Screw Terminal Connector Signals

| Pin Number | Signal Name | Signal Description                |
|------------|-------------|-----------------------------------|
| 1          | +12 V       | +12 V Camera Power                |
| 2          | Ground      | Ground Reference for Camera Power |
| 3          | +5 V        | +5 V Camera Power                 |

## Connecting an Isolated Input to Output Devices

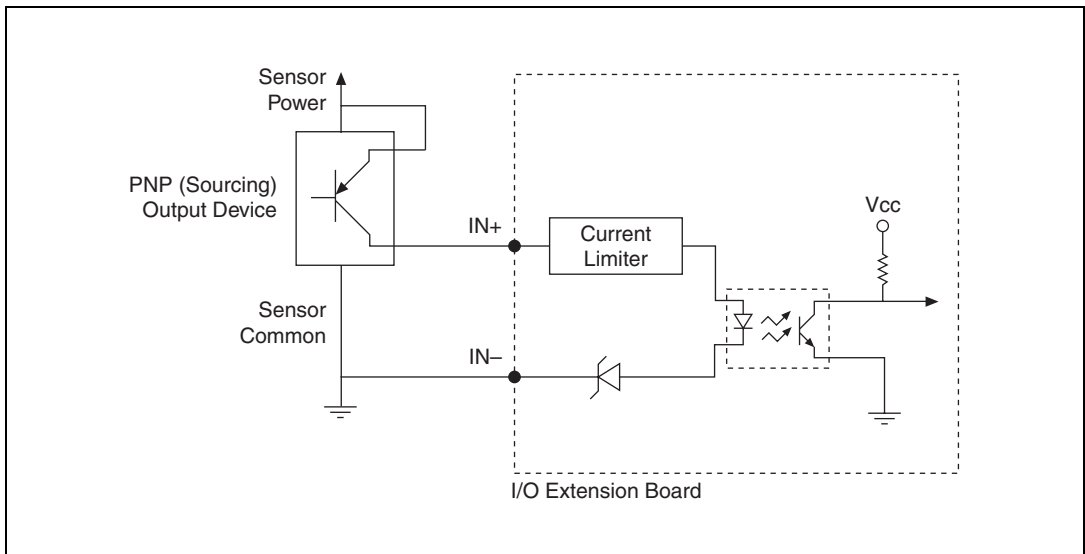
You can wire an isolated input to both sourcing and sinking output devices. Refer to Figures 6 and 7 for wiring examples by output type. Refer to the [Specifications](#) section for information about switching thresholds and current requirements.



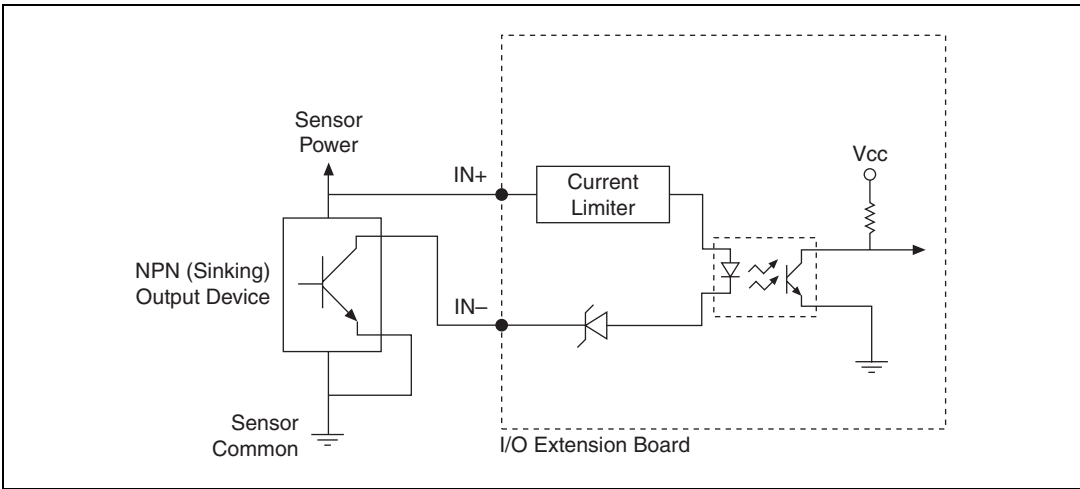
**Caution** Do *not* apply a voltage greater than 30 VDC to the isolated inputs. Voltages greater than 30 VDC may damage the I/O Extension Board.



**Note** Isolated inputs are compatible with 5 V logic if the external circuit meets the voltage and current requirements listed in the [Specifications](#) section.



**Figure 6.** Example of Connecting an Isolated Input to a Sourcing Output Device



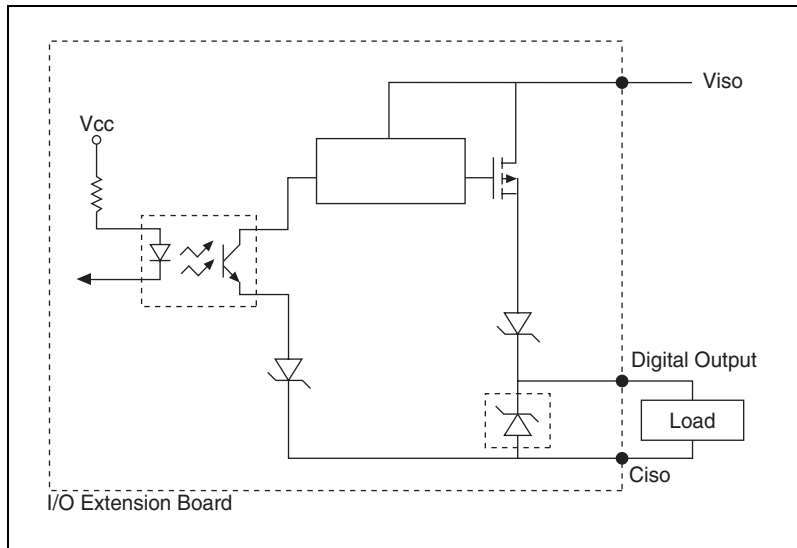
**Figure 7.** Example of Connecting an Isolated Input to a Sinking Output Device

## Connecting an Isolated Output to an External Load

The digital output circuit sources current to external loads, as shown in the example in Figure 8.



**Note** The isolated outputs have current-limiting protection circuitry. If this circuitry is tripped, you can re-enable the outputs by cycling power on the I/O Extension Board or by toggling the output state in the software.



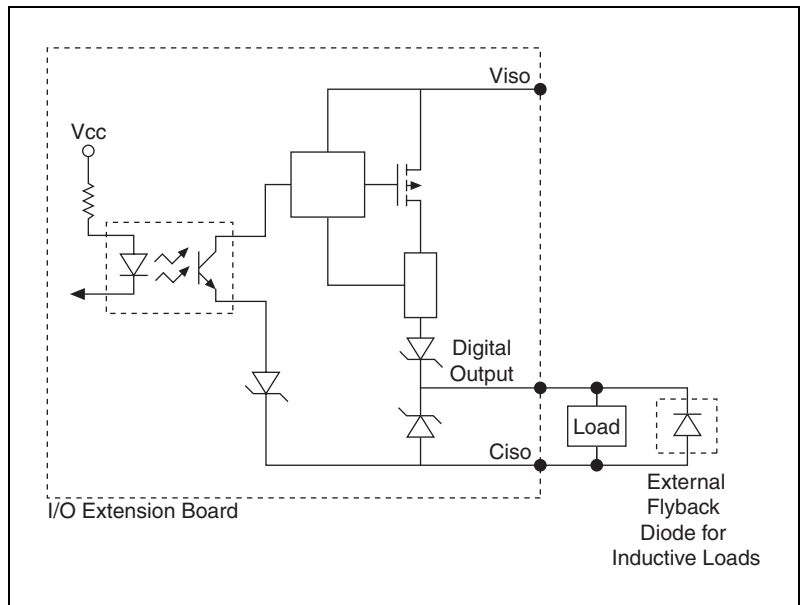
**Figure 8.** Example of Connecting an Isolated Output to an External Load

## Protecting Inductive Loads

When an inductive load, such as a relay or solenoid, is connected to an output, a large counter-electromotive force may occur at switching time due to energy stored in the inductive load. This flyback voltage can damage the outputs and the power supply.

To limit flyback voltages at the inductive load, install a flyback diode across the load. Mount the flyback diode as close to the load as possible. Use this protection method if you connect any of the isolated outputs on the I/O Extension Board to an inductive load.

Figure 9 shows an example of using an external flyback diode to protect inductive loads.



**Figure 9.** Example of Using an External Flyback Diode for Inductive Loads

## Connecting to a Quadrature Encoder

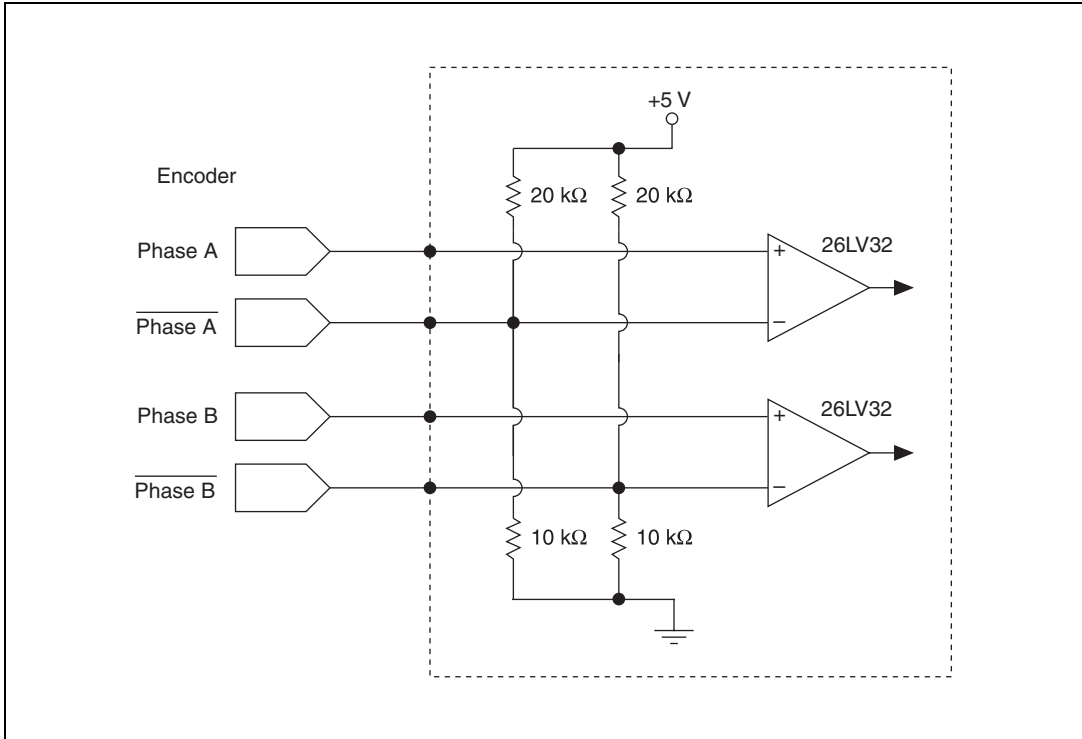
The I/O Extension Board accepts either single-ended TTL or differential (RS-422 compatible) line driver inputs. If a single-ended encoder is used, the encoder lines must be connected to the positive connection for each phase.

Shielded encoder cables are recommended for all applications. Unshielded cables are more susceptible to noise and can corrupt the encoder signals.



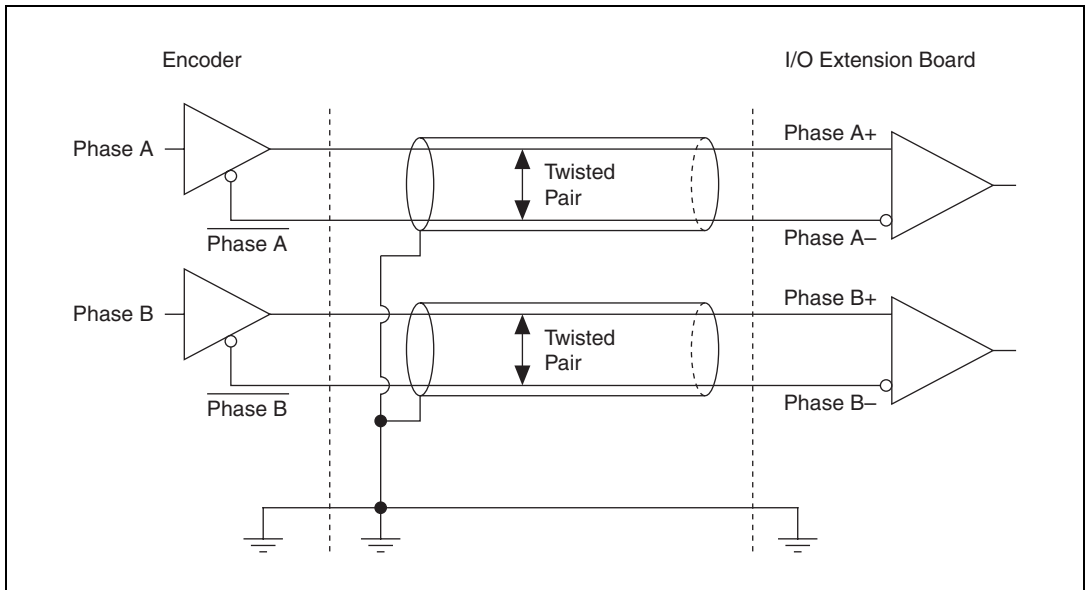
**Note** If the encoder cable length is greater than 10 feet, encoders with line driver outputs are recommended.

Figure 10 shows the encoder inputs circuit.



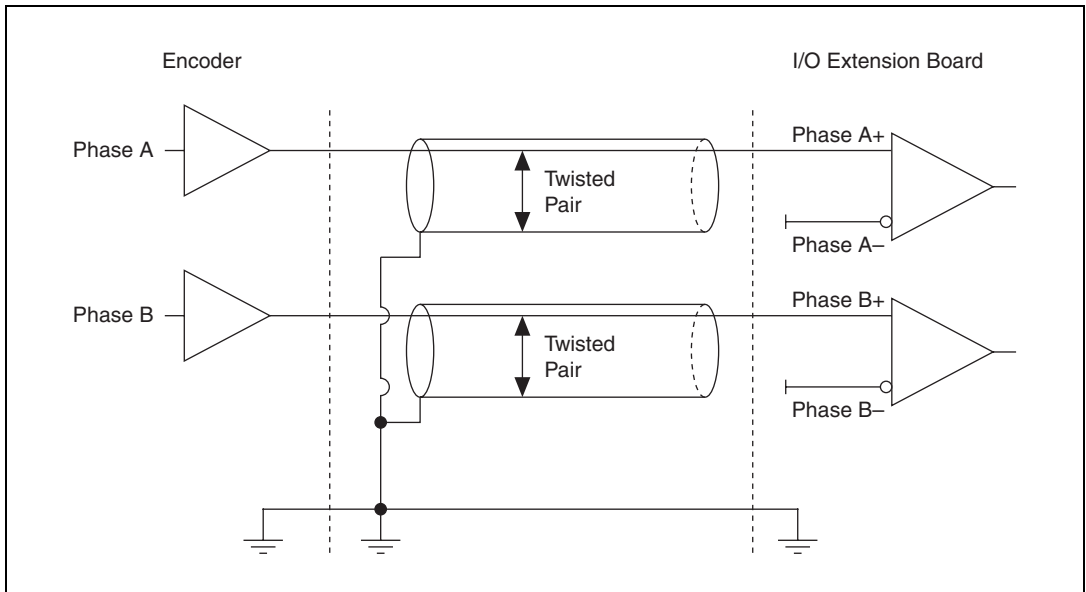
**Figure 10.** Encoder Inputs Circuit

Figure 11 shows an example of connecting differential line drivers.



**Figure 11.** Example of Connecting Differential Line Drivers

Figure 12 shows an example of connecting single-ended drivers.

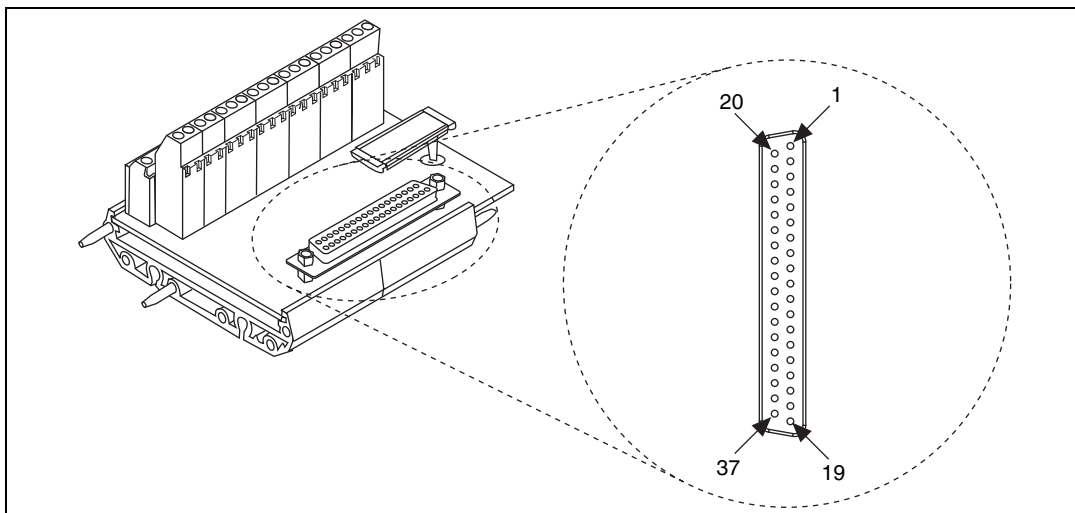


**Figure 12.** Example of Connecting Single-Ended Drivers

# Optional 37-Pin Terminal Block

Use the 37-pin Terminal Block to convert the 44-pin D-SUB connection to a 37-pin D-SUB connection.

Figure 13 shows the pinout of the 37-pin Terminal Block.



**Figure 13.** 37-Pin Terminal Block

Table 3 lists pin numbers, signal names, and signal descriptions for the 37-pin Terminal Block.

**Table 3.** 37-Pin Terminal Block Signals

| Pin Number | Signal Name    | Signal Description   |
|------------|----------------|--|
| 1          | +12 V Camera   | +12 V Camera Power   |
| 2          | +12 V Camera   | +12 V Camera Power   |
| 3          | Digital Ground | Direct connection to Digital Ground on the I/O Extension Board |
| 4          | TTL I/O 1      | General Purpose TTL Input/Output Line                          |
| 5          | TTL I/O 2      | General Purpose TTL Input/Output Line                          |
| 6          | Digital Ground | Direct connection to Digital Ground on the I/O Extension Board |
| 7          | TTL I/O 3      | General Purpose TTL Input/Output Line                          |
| 8          | TTL I/O 4      | General Purpose TTL Input/Output Line                          |
| 9          | Iso Input 1+   | Isolated Input Positive Connection                             |

**Table 3.** 37-Pin Terminal Block Signals (Continued)

| Pin Number | Signal Name      | Signal Description   |
|------------|------------------|--|
| 10         | Iso Input 1–     | Isolated Input Negative Connection                             |
| 11         | +5 V Camera      | +5 V Camera Power  |
| 12         | C <sub>iso</sub> | Isolated Power Common  |
| 13         | +5 V Camera      | +5 V Camera Power  |
| 14         | Phase A+         | Quadrature Phase A Positive Connection                         |
| 15         | Phase A–         | Quadrature Phase A Negative Connection                         |
| 16         | C <sub>iso</sub> | Isolated Power Common  |
| 17         | V <sub>iso</sub> | Isolated Power   |
| 18         | C <sub>iso</sub> | Isolated Power Common  |
| 19         | Iso Output 0     | General Purpose Isolated Output                                |
| 20         | TTL I/O 5        | General Purpose TTL Input/Output Line                          |
| 21         | TTL I/O 6        | General Purpose TTL Input/Output Line                          |
| 22         | Digital Ground   | Direct connection to Digital Ground on the I/O Extension Board |
| 23         | TTL I/O 7        | General Purpose TTL Input/Output Line                          |
| 24         | TTL I/O 8        | General Purpose TTL Input/Output Line                          |
| 25         | NC               | No Connect   |
| 26         | Phase B+         | Quadrature Phase B Positive Connection                         |
| 27         | Phase B–         | Quadrature Phase B Negative Connection                         |
| 28         | C <sub>iso</sub> | Isolated Power Common  |
| 29         | Iso Output 2     | General Purpose Isolated Output                                |
| 30         | Iso Input 0+     | Isolated Input Positive Connection                             |
| 31         | Iso Input 0–     | Isolated Input Negative Connection                             |
| 32         | C <sub>iso</sub> | Isolated Power Common  |
| 33         | V <sub>iso</sub> | Isolated Power   |
| 34         | C <sub>iso</sub> | Isolated Power Common  |
| 35         | Iso Output 1     | General Purpose Isolated Output                                |
| 36         | Iso Input 2+     | Isolated Input Positive Connection                             |
| 37         | Iso Input 2–     | Isolated Input Negative Connection                             |

# Specifications

---

The specifications of the I/O Extension Board are listed below.  
All specifications are subject to change without notice.  
Visit [ni.com/manuals](http://ni.com/manuals) for the most current specifications.

All specifications are typical at 0 to 40 °C, unless otherwise stated.

## TTL I/O



**Caution** TTL I/O lines provide no short-circuit protection. Failure to protect against short-circuit conditions will result in damage to the device.

Number of external TTL I/O lines.....8

### Trigger input

Voltage range.....0 to 5 V (TTL)

Input high voltage.....2 V to 5 V

Input low voltage.....0 V to 0.8 V

Polarity .....Programmable,  
active-high or active-low

Maximum pulse rate .....2 MHz

Minimum pulse detected .....250 ns

### Trigger output

Voltage range.....0 V to 5 V (TTL)

Output high voltage .....2.4 V at 5 mA source

Output low voltage .....0.55 V at 2 mA sink

Polarity .....Programmable,  
active-high or active-low

Power-on state .....Input (high-impedance)  
22 k $\Omega$  jumper selectable pull-up  
to 5 V, pull-down to digital  
ground, or tri-state

## Optically Isolated Inputs

Number of channels.....3

Type .....Current sinking or sourcing

Input voltage range .....0 V to 30 V

Input ON voltage .....3.5 V to 30 V

Input OFF voltage.....0 V to 2 V

|                                   |                                     |
|-----------------------------------|-------------------------------------|
| Turn-on current .....             | 7.1 mA (typical)<br>14 mA (maximum) |
| Current limiting .....            | 14 mA                               |
| Maximum pulse rate.....           | 100 kHz                             |
| Minimum pulse detected.....       | 10 $\mu$ s                          |
| Reverse polarity protection ..... | Yes, -30 V                          |

## Optically Isolated Outputs

|   |                      |
|---|----------------------|
| Number of channels .....                        | 3                    |
| Type .....                                      | Current sourcing     |
| On-state voltage range .....                    | 5 V to 30 V, maximum |
| Maximum on-state voltage<br>drop from Viso..... | 1.2 V at 100 mA      |
| Output current                                  |                      |
| 5 V isopower.....                               | 50 mA, maximum       |
| 24 V isopower.....                              | 100 mA, maximum      |
| 30 V isopower.....                              | 100 mA, maximum      |
| Maximum pulse rate.....                         | 10 kHz               |
| Minimum pulse generated.....                    | 100 $\mu$ s          |
| Reverse polarity protection .....               | Yes, -30 V           |

## Quadrature Encoder Inputs

|                                      |   |
|--------------------------------------|---|
| Number of channels (+/- pairs) ..... | 2   |
| Differential input threshold .....   | $\pm$ 0.2 V (maximum),<br>RS-422 compatible |
| Voltage range .....                  | 0 to 5.5 VDC                                |
| Single-ended input threshold .....   | TTL compatible                              |
| Input high voltage .....             | 2.0 V                                       |
| Input low voltage .....              | 0.8 V                                       |
| Maximum quadrature count rate .....  | 5 MHz                                       |

## Camera Power

|              |       |
|--------------|-------|
| +5 VDC.....  | 2.5 A |
| +12 VDC..... | 1.5 A |

## Physical Characteristics

|                  |   |
|------------------|---|
| Dimensions ..... | 10.7 cm × 12 cm<br>(4.2 in. × 4.75 in.) |
| Weight .....     | 92.8 g (3.27 oz)                        |

## Environment

The I/O Extension Board is intended for indoor use only.

Operating temperature .....0 °C to 40 °C

Storage temperature .....–30 °C to 80 °C

Relative humidity .....10% to 90% RH, noncondensing

Pollution Degree .....2

Approved at altitudes up to 2,000 m.

## Safety

The I/O Extension Board meets the requirements of the following standards of safety for electrical equipment for measurement, control, and laboratory use:

- IEC 61010-1, EN 61010-1
- UL 61010-1
- CAN/CSA-C22.2 No. 61010-1



**Note** For UL and other safety certifications, refer to the product label, or visit [ni.com/certification](http://ni.com/certification), search by model number or product line, and click the appropriate link in the Certification column.

## Electromagnetic Compatibility

Emissions.....EN 55011 Class A at 10 m  
FCC Part 15A above 1 GHz

Immunity .....EN 61326:1997+ A2:2001,  
Table 1

CE, C-Tick, and FCC Part 15 (Class A) Compliant



**Note** For EMC compliance, operate this device with shielded cabling. In addition, all covers and filler panels *must* be installed.

## CE Compliance

This product meets the essential requirements of applicable European Directives, as amended for CE marking, as follows:

Low-Voltage Directive (safety) ..... 73/23/EEC

Electromagnetic Compatibility  
Directive (EMC) ..... 89/336/EEC



**Note** Refer to the Declaration of Conformity (DoC) for this product for any additional regulatory compliance information. To obtain the DoC for this product, visit [ni.com/certification](http://ni.com/certification), search by model number or product line, and click the appropriate link in the Certification column.

## Where to Go for Support

---

The National Instruments Web site is your complete resource for technical support. At [ni.com/support](http://ni.com/support) you have access to everything from troubleshooting and application development self-help resources to email and phone assistance from NI Application Engineers.

A Declaration of Conformity (DoC) is our claim of compliance with the Council of the European Communities using the manufacturer's declaration of conformity. This system affords the user protection for electronic compatibility (EMC) and product safety. You can obtain the DoC for your product by visiting [ni.com/certification](http://ni.com/certification).

National Instruments corporate headquarters is located at 11500 North Mopac Expressway, Austin, Texas, 78759-3504. National Instruments also has offices located around the world to help address your support needs. For telephone support in the United States, create your service request at [ni.com/support](http://ni.com/support) and follow the calling instructions or dial 512 795 8248. For telephone support outside the United States, contact your local branch office:

Australia 1800 300 800, Austria 43 0 662 45 79 90 0,  
Belgium 32 0 2 757 00 20, Brazil 55 11 3262 3599,  
Canada 800 433 3488, China 86 21 6555 7838,  
Czech Republic 420 224 235 774, Denmark 45 45 76 26 00,  
Finland 385 0 9 725 725 11, France 33 0 1 48 14 24 24,  
Germany 49 0 89 741 31 30, India 91 80 51190000,  
Israel 972 0 3 6393737, Italy 39 02 413091, Japan 81 3 5472 2970,  
Korea 82 02 3451 3400, Lebanon 961 0 1 33 28 28,

Malaysia 1800 887710, Mexico 01 800 010 0793,  
Netherlands 31 0 348 433 466, New Zealand 0800 553 322,  
Norway 47 0 66 90 76 60, Poland 48 22 3390150,  
Portugal 351 210 311 210, Russia 7 095 783 68 51,  
Singapore 1800 226 5886, Slovenia 386 3 425 4200,  
South Africa 27 0 11 805 8197, Spain 34 91 640 0085,  
Sweden 46 0 8 587 895 00, Switzerland 41 56 200 51 51,  
Taiwan 886 02 2377 2222, Thailand 662 278 6777,  
United Kingdom 44 0 1635 523545

National Instruments, NI, ni.com, and LabVIEW are trademarks of National Instruments Corporation. Refer to the *Terms of Use* section on [ni.com/legal](http://ni.com/legal) for more information about National Instruments trademarks. Other product and company names mentioned herein are trademarks or trade names of their respective companies. For patents covering National Instruments products, refer to the appropriate location: **Help»Patents** in your software, the `patents.txt` file on your CD, or [ni.com/patents](http://ni.com/patents).