

INSTALLATION GUIDE

ExpressCard Strain-Relief Assembly

This guide describes how to install and use the ExpressCard strain-relief assembly.

Introduction

The ExpressCard strain-relief assembly protects ExpressCards and ExpressCard cables from unintentional disconnection.

What You Need to Get Started

- ExpressCard strain-relief assembly
- Your ExpressCard and cable
- Hex key (included in your strain-relief assembly kit)
- ExpressCard Strain-Relief Assembly Installation Guide*
- National Instruments embedded controller with an ExpressCard slot

Installation and Configuration

You can use the ExpressCard strain-relief assembly in two ways. The first method secures only an ExpressCard. The second secures both an ExpressCard and ExpressCard cable.

To secure only an ExpressCard, refer to Figure 1 and follow these steps:

1. Install an ExpressCard in the controller ExpressCard slot.
2. Using the provided hex key, attach the security bracket in its rightmost position to the controller front panel with the hex socket screws.

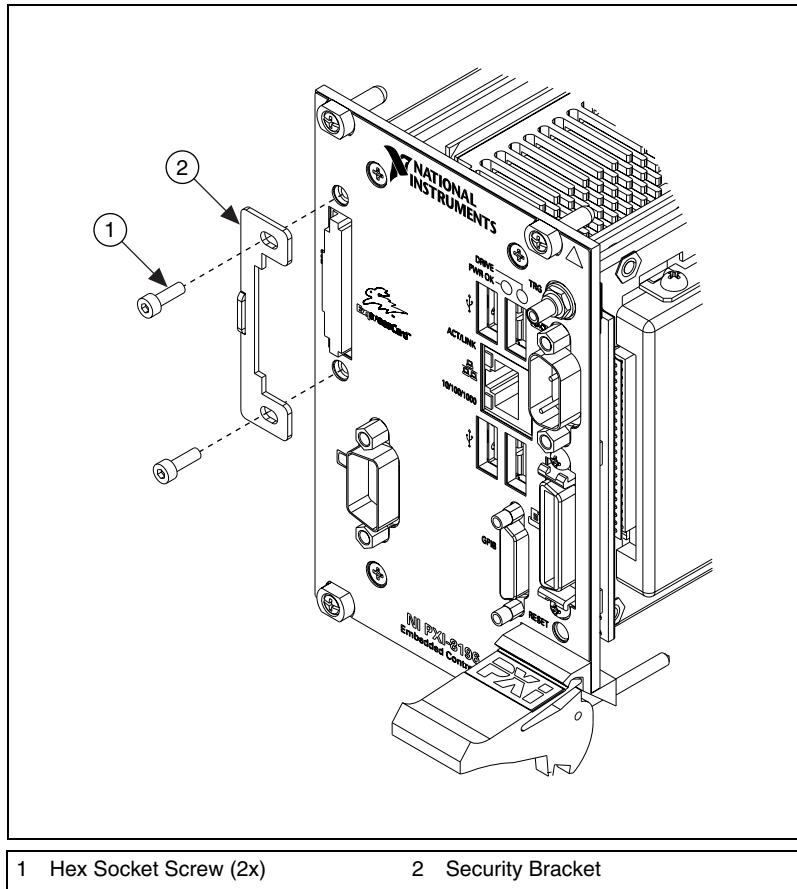


Figure 1. Securing Only an ExpressCard

To remove the ExpressCard, loosen but do not remove the screws. Slide the security bracket to the left and remove the ExpressCard.

To secure both an ExpressCard and ExpressCard cable, refer to Figure 2 and follow these steps:

1. Install an ExpressCard in the controller ExpressCard slot.
2. Using the provided hex key, loosely attach the security bracket and sliding bracket to the controller front panel with the hex socket screws.
3. Attach the ExpressCard cable.
4. Attach and tighten the clamping bracket with the thumb nuts.
5. With the security bracket in its rightmost position, tighten the hex socket screws with the hex key.

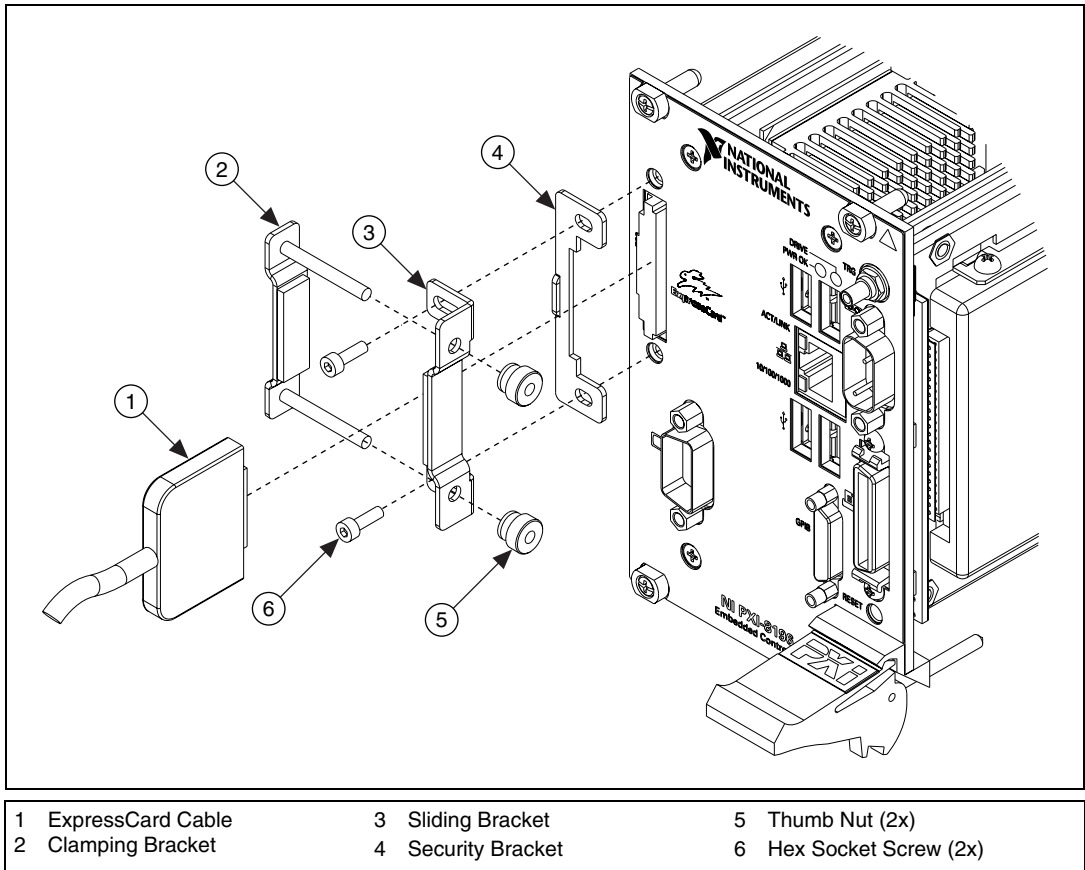


Figure 2. Securing Both an ExpressCard and ExpressCard Cable

Figure 3 shows a secured ExpressCard and ExpressCard cable.

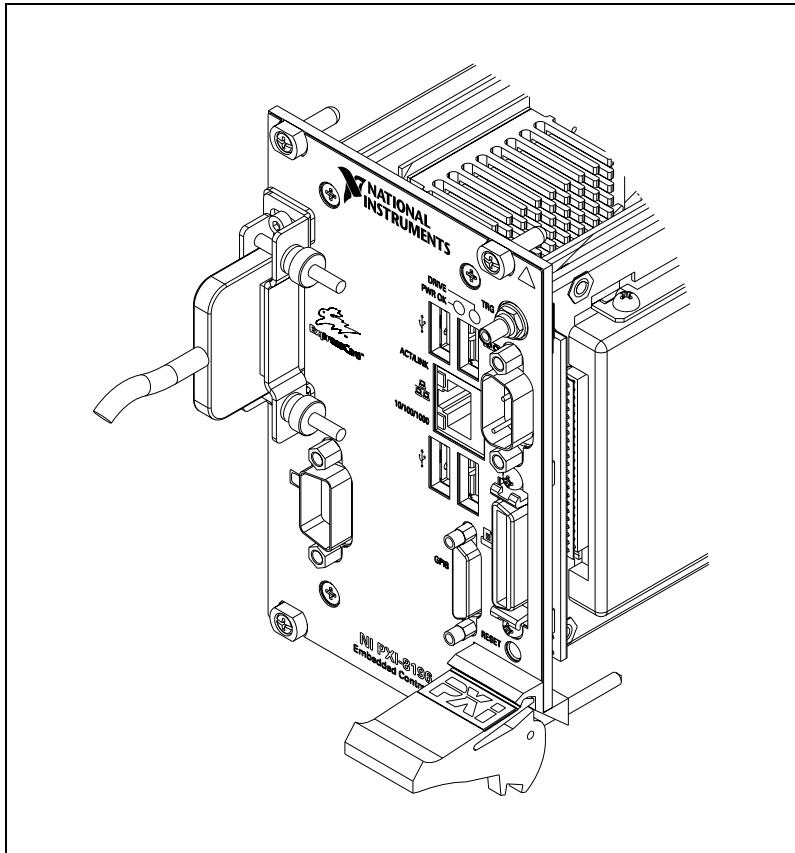


Figure 3. Secured ExpressCard and ExpressCard Cable



Note The ExpressCard strain-relief assembly cannot strain relieve cables when an extended ExpressCard is installed. Also, the assembly may be unable to strain relieve cables with very large or unusually shaped housings. However, when you cannot strain relieve the ExpressCard cable, you still can secure the ExpressCard itself as shown in Figure 1.

National Instruments, NI, ni.com, and LabVIEW are trademarks of National Instruments Corporation. Refer to the *Terms of Use* section on ni.com/legal for more information about National Instruments trademarks. Other product and company names mentioned herein are trademarks or trade names of their respective companies. For patents covering National Instruments products, refer to the appropriate location: **Help»Patents** in your software, the `patents.txt` file on your CD, or ni.com/patents.