

# READ ME FIRST

# TBX-50

## 50 Pin D-SUB Screw Terminal Block

This document describes the connector and screw terminal pinouts of the TBX-50 terminal block.

The TBX-50 terminal block is DIN rail-mountable with screw terminals to connect the signals to the switch and includes a probe socket and a 50 pin D-SUB male connector.



**Caution** For hazardous voltage applications or measurements ( $>42.4 V_{pk}/60 \text{ VDC}$ ), install the TBX-50 in a UL listed, suitably rated NEMA or IP enclosure.

Refer to Figure 1 for the connector pin locations on the TBX-50.

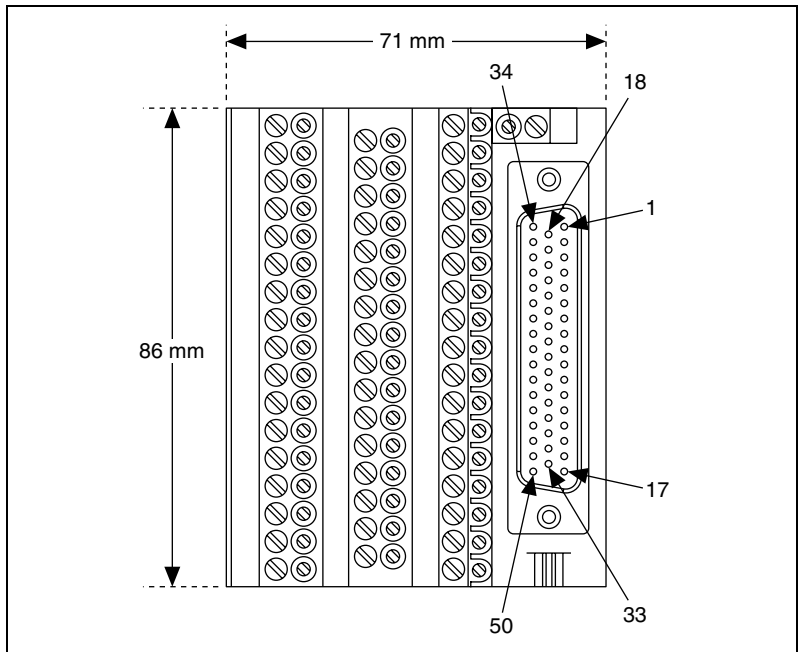
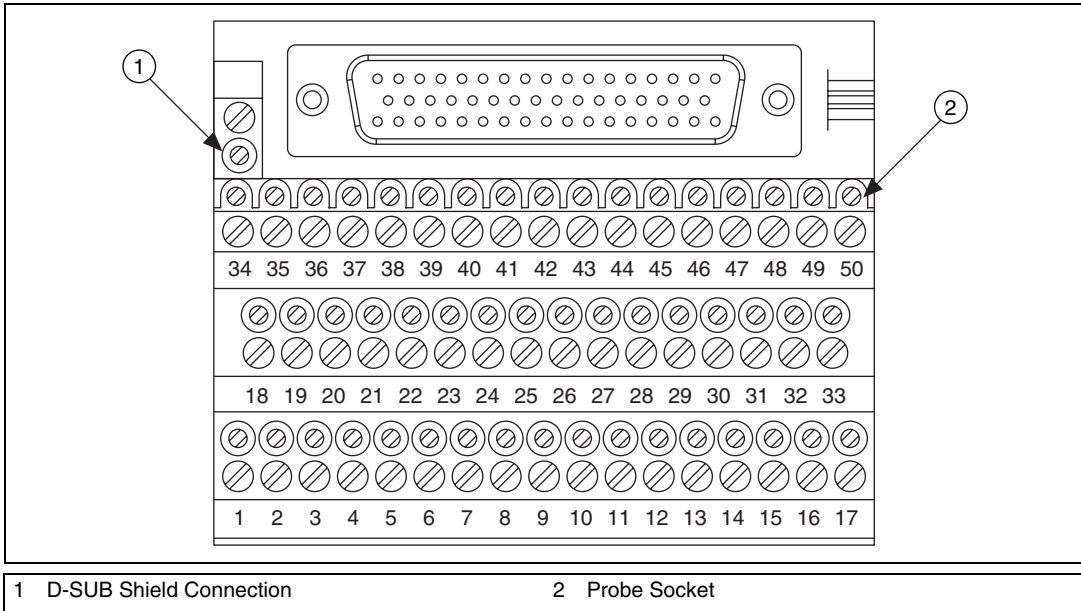


Figure 1. TBX-50 Pin Reference

Refer to Figure 2 for the screw terminal pin locations on the TBX-50.



**Figure 2.** TBX-50 Terminal Reference



**Note** This terminal block is manufactured by Phoenix Contact. The Phoenix Contact part number is 2283647.

National Instruments, NI, ni.com, and LabVIEW are trademarks of National Instruments Corporation. Refer to the *Terms of Use* section on [ni.com/legal](http://ni.com/legal) for more information about National Instruments trademarks. Other product and company names mentioned herein are trademarks or trade names of their respective companies. For patents covering National Instruments products, refer to the appropriate location: **Help>Patents** in your software, the `patents.txt` file on your CD, or [ni.com/patents](http://ni.com/patents).