

Getting Started with NI SoftMotion™ Development Module for LabVIEW™

Contents

Introduction.....	1
Conventions	3
NI SoftMotion Development Module Components.....	3
System Requirements	4
Installing the NI SoftMotion Development Module.....	5
NI SoftMotion Development Module Documentation	6
Typical Motion System.....	6
Types of Moves	9
Contouring	12
NI SoftMotion Development Module Examples	14

Introduction

This manual is designed to get you started with the NI SoftMotion Development Module for LabVIEW. It includes overview information about the software as well as reference information for the example VIs that are included with the NI SoftMotion Development Module.

The NI SoftMotion Development Module for LabVIEW provides VIs and functions that allow you to build custom motion controllers using the LabVIEW Real-Time Module and National Instruments Reconfigurable I/O (RIO) devices, data acquisition (DAQ) devices, or Compact FieldPoint (cFP).

The NI SoftMotion Development Module allows you to do path planning, trajectory generation, output control, and PID loop control. The following illustration shows several options for using the NI SoftMotion Development Module with National Instruments hardware products.

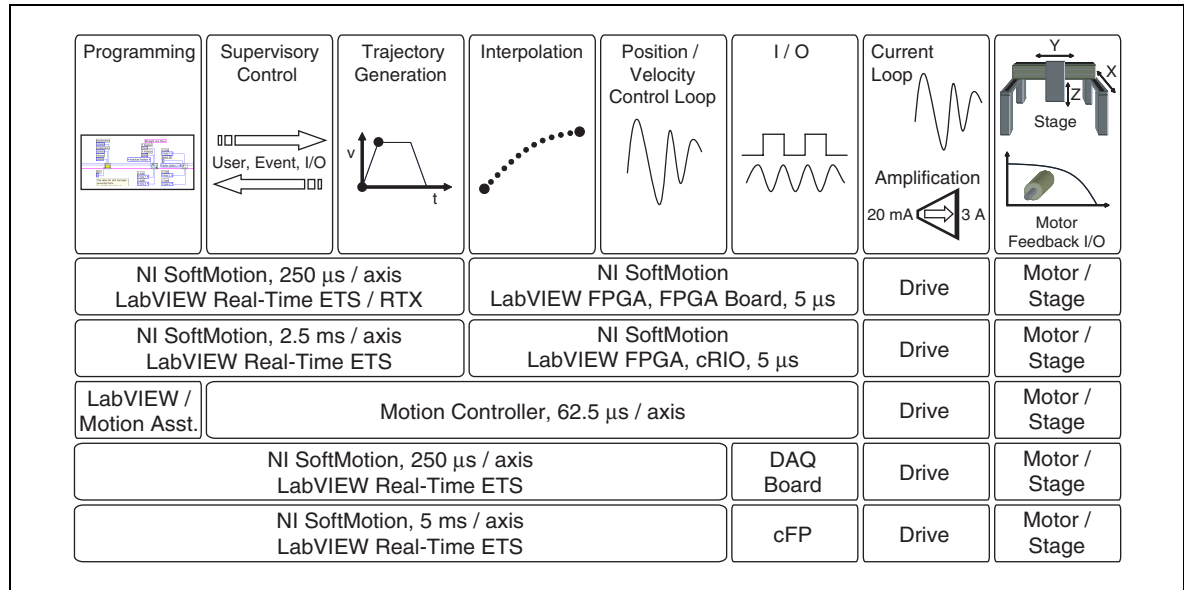


Figure 1. Possible Combinations of the NI SoftMotion Development Module and NI Hardware

Refer to the documentation for the LabVIEW Real-Time Module, the LabVIEW FPGA Module, the LabVIEW Simulation Module, and the LabVIEW Control Design Toolkit for information about system requirements, installation, and configuration of these products.

Conventions

The following conventions are used in this guide:

» The » symbol leads you through nested menu items and dialog box options to a final action. The sequence **File»Page Setup»Options** directs you to pull down the **File** menu, select the **Page Setup** item, and select **Options** from the last dialog box.



This icon denotes a note, which alerts you to important information.

bold Bold text denotes items that you must select or click in the software, such as menu items and dialog box options. Bold text also denotes parameter names.

italic Italic text denotes variables, emphasis, a cross reference, or an introduction to a key concept. This font also denotes text that is a placeholder for a word or value that you must supply.

monospace Text in this font denotes text or characters that you should enter from the keyboard, sections of code, programming examples, and syntax examples. This font is also used for the proper names of disk drives, paths, directories, programs, subprograms, subroutines, device names, functions, operations, variables, filenames, and extensions.

NI SoftMotion Development Module Components

The NI SoftMotion Development Module includes a trajectory generator, Spline Engine, and source code for a PID control loop and encoder.

Table 1 lists each of the NI SoftMotion Development Module components, the LabVIEW platform under which each component can run, and a description of how each component is used.

Table 1. NI SoftMotion Development Module Requirements and Uses

Component	NI Platform	Use
Trajectory generator	LabVIEW Real-Time Module	Design, compile, and run the trajectory generator for a Real-Time (RT) target.
Spline Engine	LabVIEW Real-Time and LabVIEW FPGA Modules	Design and compile the Spline Engine for an RT target, or download it to an FPGA target.
PID control loop	LabVIEW Real-Time and LabVIEW FPGA Modules	Design and compile fixed-point PID implementation for an RT target, or download it to an FPGA target.
Encoder	LabVIEW FPGA Modules	Design and compile the encoder to download to an FPGA target.

System Requirements

Platform and system requirements for the NI SoftMotion Development Module depend on the hardware you are using. The following list contains basic system requirements that pertain to the software only.

- LabVIEW 7.1 or later
- LabVIEW Real-Time Module 7.1 or later
- LabVIEW FPGA Module 1.1 or later

Refer to the appropriate hardware documentation for complete system requirements.

Installing the NI SoftMotion Development Module



Note To install the NI SoftMotion Development Module on a Windows 2000/XP system, you must be logged in with Administrator privileges.

1. Insert the NI SoftMotion Development Module for LabVIEW CD into the CD-ROM drive.
If you have autorun enabled, `autorun.exe` runs automatically.
2. If you do not have autorun enabled, double-click `autorun.exe`.
3. Follow the onscreen instructions.

By default, the NI SoftMotion Development Module installation program adds the following items to the listed directories in your LabVIEW installation location:

- `examples\Motion\SoftMotion` folder—Example VIs
- `help` folder—*NI SoftMotion Development Module for LabVIEW Help*
- `manuals` folder—This manual



Note The NI SoftMotion Development Module installation program also installs the `readme_NISoftMotion.rtf` file in your LabVIEW folder.

Additional Installation Instructions for RIO Users

If you are using the NI SoftMotion Development Module for LabVIEW with a National Instruments RIO device, such as a CompactRIO I/O Module, you must modify the LabVIEW Functions palette to include an icon for the NI SoftMotion palette. This palette includes the Spline Engine VI.

Complete the following steps to add the NI SoftMotion palette icon to the LabVIEW Functions palette:

1. Launch LabVIEW.
2. Click **Tools»Advanced»Edit Palette Views**.
3. Select **FPGA Hardware** in **Palette view**.

4. In the Functions palette view that appears, position the mouse pointer where you want to place the NI SoftMotion palette.
5. Right-click and select **Insert»Submenu**.
6. Select **Link to an existing menu file (.mnu)** and click **OK**.
7. Select `nisoftmotion_fpga.mnu` and click **Open**.
8. Click **Save Changes**.

NI SoftMotion Development Module Documentation

In addition to this manual, the NI SoftMotion Development Module includes the *NI SoftMotion Development Module for LabVIEW Help*. This help file provides VI and function reference information for the NI SoftMotion Development Module VIs and functions. You can access this file from the **Help** menu in LabVIEW.

Typical Motion System

A motion controller is the center of a typical motion system, which consists of supervisory control, trajectory generation Spline Engine, control loop, and I/O.

The controller converts high-level commands from the user into command signals used by drives to move actuators. The motion controller also monitors the system for error conditions, faults, and asynchronous events that can cause the system to change speed, direction, or start/stop the actuators. Figure 2 illustrates the parts and processes of a typical motion system.

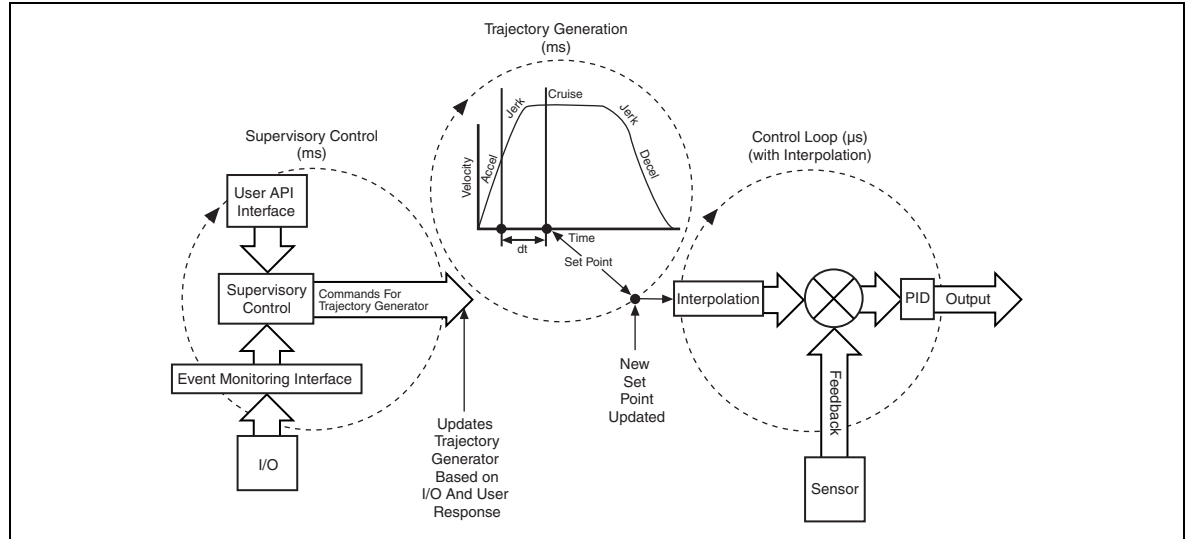


Figure 2. Three Loops of a Typical Motion Control System

Supervisory Control

The supervisory control is the main loop of the motion control system. This loop intercepts commands from the user, and signals the trajectory generator to start or stop moves. The supervisory control loop also monitors all I/O needed to perform initialization tasks, such as finding the reference or origin. This loop also monitors the system for faults, and aids in synchronizing moves relative to changes in external conditions.



Note The NI SoftMotion Development Module does not contain VIs and functions for supervisory control. For examples of supervisory control, refer to the [NI SoftMotion Development Module Examples](#) section of this manual.

Trajectory Generator

The trajectory generator is a path planner that creates set points for the control loop. The trajectory generator creates new set points every loop period, based on move constraints provided by the user. These move constraints include the maximum velocity, maximum acceleration/deceleration, and maximum jerk that the mechanical system can tolerate. The set points created by the trajectory generator do not violate the specified move constraints.

Spline Engine

The Spline Engine function uses a cubic spline algorithm and four set points to calculate interpolated positions between two positions from the trajectory generator.

Using the Spline Engine function results in smoother motion and allows you to run the trajectory generator loop slower than the control loop.

Control Loop

The control loop creates the command signal based on the set point provided by the trajectory generator. In most cases, the control loop includes both a position and a velocity loop, but in some cases the control loop may include only a position loop.

The position is typically read from encoders, but also may be read from analog inputs. The velocity is calculated from the position values that are read. The velocity also may be read directly from a velocity sensor, such as a tachometer.

Because no feedback is required for stepper motors, the control loop converts the set point generated by the trajectory generator into stepper signals (step/direction).

For control loop implementation, the NI SoftMotion Development Module provides LabVIEW source code for an enhanced PID implementation of the control loop. The source code is installed to `<LabVIEW>\examples\motion\SoftMotion\ControlLoop`.



Note The NI SoftMotion Development Module does not currently include source code to convert trajectory generator output to stepper signals.

I/O

Analog and digital I/O is required to send the command signals to the drives and receive feedback from the actuators. Some servo motor drives use analog I/O to receive feedback. However, most I/O requirements for motion controllers are digital. For example, feedback from quadrature encoders requires digital I/O.

Table 2 lists the NI SoftMotion Development Module VIs you use for decoding quadrature encoder signals.

Table 2. Encoder VIs

Device	VI	Installation Location
CompactRIO	_CRIO Target Loop	<LabVIEW>\examples\Motion\SoftMotion\CompactRio\Gantry\FPGA
RIO	Control Loop (with Spline)	<LabVIEW>\examples\Motion\SoftMotion\RIO
RIO	Control Loop (with velocity feedback)	<LabVIEW>\examples\Motion\SoftMotion\RIO
RIO	Control Loop (with Vff and Aff)	<LabVIEW>\examples\Motion\SoftMotion\RIO
RIO	Simple Control Loop	<LabVIEW>\examples\Motion\SoftMotion\RIO

Types of Moves

The following sections describe the types of moves commonly found in motion control systems.

Arc Moves

An arc move causes a coordinate space of axes to move on a circular, spherical, or helical path. You can move a two-dimensional vector space on a circular path. You can move a three-dimensional vector space on a spherical or helical path.

Table 3 lists the NI SoftMotion Development Module function you use for arc moves.

Table 3. NI SoftMotion Development Module Arc Move Function

Function	Use
Arc Move Read/Write	Set or get the properties for a circular, helical, or spherical arc move. All arc moves are treated as relative to the current position. You can set or get arc move properties only from coordinates.

Refer to the *NI SoftMotion Development Module for LabVIEW Help* for more information about the Arc Move Read/Write function.

Straight-Line Moves

Straight-line moves use the desired target position to generate the move trajectory. For example, if the motor is currently at position zero, and the target position is 100, the straight-line move creates a trajectory that moves 100 counts or steps.

Table 4 lists the NI SoftMotion Development Module function you use for straight-line moves.

Table 4. NI SoftMotion Development Module Straight-Line Move Function

Function	Use
Straight Line Move Read/Write	Set or get parameters for a straight line move. You can read and write these properties for both axes and coordinates.

Refer to the *NI SoftMotion Development Module for LabVIEW Help* for more information about the Straight Line Move Read/Write function.

Blending

The NI SoftMotion Development Module allows you to blend moves. Blending is a software feature that automatically creates a smooth transition between consecutive moves. Moves configured for blending execute concurrently for a period of time, which results in continuous motion between moves.

Because the deceleration portion of the blended move is modified by the subsequent move, it may not reach its end point. You can change the move constraints for each blended move to create a move profile that suits your requirements. Figure 3 shows two blended moves.

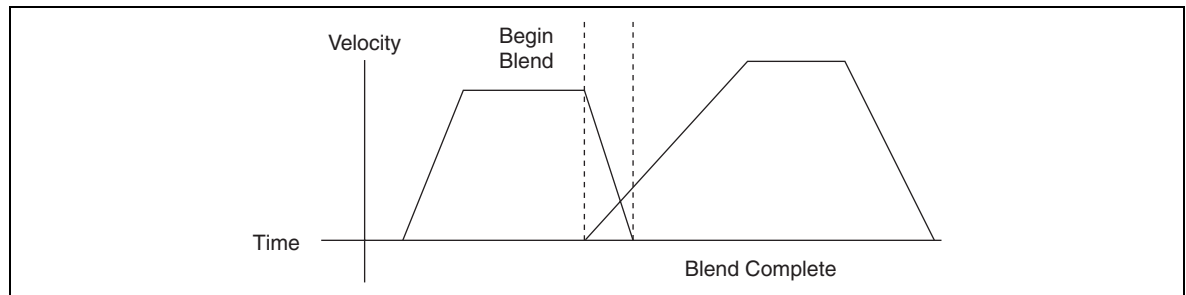


Figure 3. Blending Two Moves

Blending executes moves concurrently. When you blend the second move, both moves are executing. The first move is generating its trajectory while the second move is waiting for the blending to complete. The second move starts based on the user-specified blend mode. Blend mode options include blend at deceleration, blend after profile complete, and blend after a specified delay.

Table 5 lists the NI SoftMotion Development Module functions you use to implement blending in your application.

Table 5. NI SoftMotion Development Module Blending Functions

Function	Use
Trajectory Generator Method—Start	Execute a blend when Type is set to Blend Motion .
Trajectory Generator Method—Start Multiple	Execute a blend when Type is set to Blend Motion .
Move Constraints Read/Write	Set the Blend Delay and Blend Mode properties.
Trajectory Generator Method—Execution Data	Get the Blend Complete and Profile Complete parameters of the Status property.

Refer to the *NI SoftMotion Development Module for LabVIEW Help* for more information about blending functions.

Contouring

Contouring consists of a user-defined pattern of moves applied to an axis or a coordinate space of axes. Contoured moves are appropriate when you need a trajectory that cannot be constructed from straight lines and arcs. Instead of using the trajectory generator, the controller takes an array of position data during a contoured move and splines the data before outputting it. This calculation ensures smooth motion by creating intermediate points using a cubic spline algorithm. The basic trajectory move constraints—maximum velocity, acceleration, and deceleration—have no effect on contoured moves.

All contoured moves are relative. Motion starts from the position of the axis, or axes, at the time the contouring move starts. This is similar to the way arc moves are configured.

Table 6 lists the NI SoftMotion Development Module functions you use to implement contouring in your application.

Table 6. NI SoftMotion Development Module Contouring Functions

Function	Use
Contouring Move Read/Write	Set and get the properties on a contouring buffer.
Contouring Move Create Buffer	Create a buffer for contouring, and return a handle to the buffer.
Contouring Move Delete Buffer	Delete the contouring buffer.
Contouring Move Method—Check Buffer Space	Retrieve the number of elements available for updating.
Contouring Move Method—Enable	Enable or disable a buffer.
Contouring Move Method—Stop	Signal the final iteration of a continuous buffer, and stop the move once the end of the buffer is reached.
Contouring Move Method—Update Points	Replace points previously written to a buffer with newer points.
Contouring Move Method—Write Points	Write points to the buffer for the first time.

Refer to the *NI SoftMotion Development Module for LabVIEW Help* for more information about contouring functions.

NI SoftMotion Development Module Examples

This section outlines each of the examples installed with the NI SoftMotion Development Module for LabVIEW. Each example consists of a Motion Loop VI and a set of application VIs.

The Motion Loop VI performs the function of a motion controller in a typical motion control system. This VI implements the code required to interact with I/O, read in trajectory generator information, calculate the move profile, write the move profile information, and calculate the control output.

The application VIs interact with the Motion Loop VI to change the state of the Motion Loop VI and get the status from the Motion Loop VI.

Compact FieldPoint

The following sections describe the Compact FieldPoint example installed with the NI SoftMotion Development Module. This example uses a Compact FieldPoint device to independently control two motors.

cFP Motion Loop VI

Figure 4 shows the block diagram of the cFP Motion Loop VI, which implements a motion controller for two axes of motion on a Compact FieldPoint device.

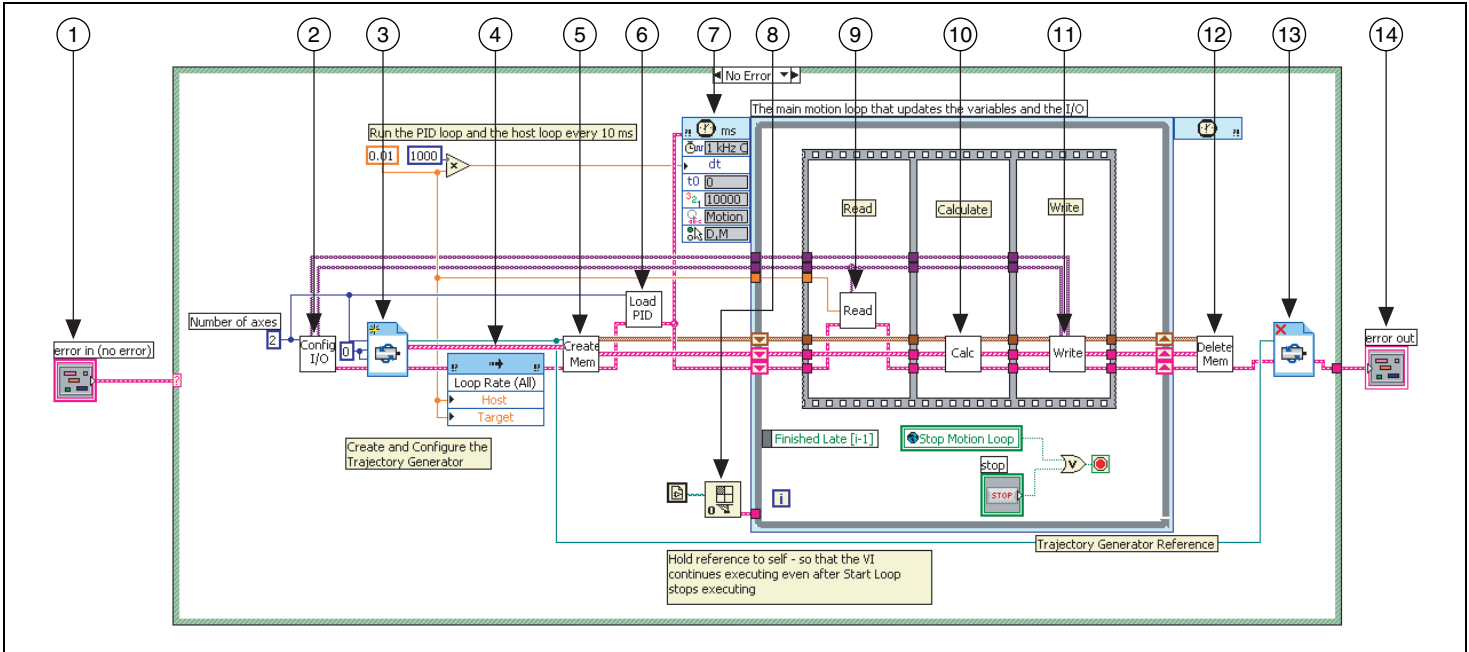


Figure 4. cFP Motion Loop VI Block Diagram

Table 7. Description of the cFP Motion Loop VI Block Diagram

Callout Number	VI, Function, or Variable Name and Description
1	LabVIEW Error Handler VI checks for errors before beginning the loop.
2	User-designed VI determines what I/O to use on the Compact FieldPoint device, such as encoders, analog devices, and so on.
3	Trajectory Generator Create function opens a reference to the trajectory generator. Always execute this function prior to making any calls into the trajectory generator.

Table 7. Description of the cFP Motion Loop VI Block Diagram (Continued)

Callout Number	VI, Function, or Variable Name and Description
4	Trajectory Generator Method—Loop Rate method sets up the loop rate for the trajectory generator and motion loop.
5	<p>User-designed VI allocates memory on the Compact FieldPoint device. This VI improves the performance of the application because it allocates memory only once rather than each time the VI loops. Use this VI to allocate memory for the following items:</p> <ul style="list-style-type: none">• Execution status data• Axis data• Trajectory data• Array of axis handles• Additional arrays that contain other state data• Control output values• PID parameters
6	User-designed VI configures the PID parameters for the axes.
7	LabVIEW Timed Loop. Use this node to set up loop timing.
8	LabVIEW Open VI Reference VI opens a reference to the VI specified by the path wired in.
9	User-designed VI reads in data from encoders and global variables.
10	User-designed VI executes the NI SoftMotion Module trajectory generator and call the control loop to calculate command output values.
11	User-designed VI writes the command output values to the I/O on the Compact FieldPoint device.
12	User-designed VI frees the memory you allocated on the Compact FieldPoint device.

Table 7. Description of the cFP Motion Loop VI Block Diagram (Continued)

Callout Number	VI, Function, or Variable Name and Description
13	The Trajectory Generator Delete function frees the memory allocated for the trajectory generator you created.
14	LabVIEW Error Handler VI shows any errors that occurred.

Application VI

Figure 5 shows the block diagram for the cFP Main VI. This VI creates two independent straight-line moves using two different axes.



Note For this example to work properly, the cFP Motion Loop VI must be running in the background. You can synchronize the Motion Loop VI with the Application VI in one of several ways. For example, you can use a VI from the **Advanced»Synchronization»Rendezvous** palette. Or, you can use the VI Server to dynamically run the VI. For information about synchronizing VIs, refer to the *Rendezvous VIs* topic or the *VI Server* topic in *LabVIEW Help*. Also, refer to the *What Is a Rendezvous?* and/or *Dynamically Load and Run a VI without Opening its Front Panel Using VI Server and Rendezvous VIs* articles on the NI Developer Zone.

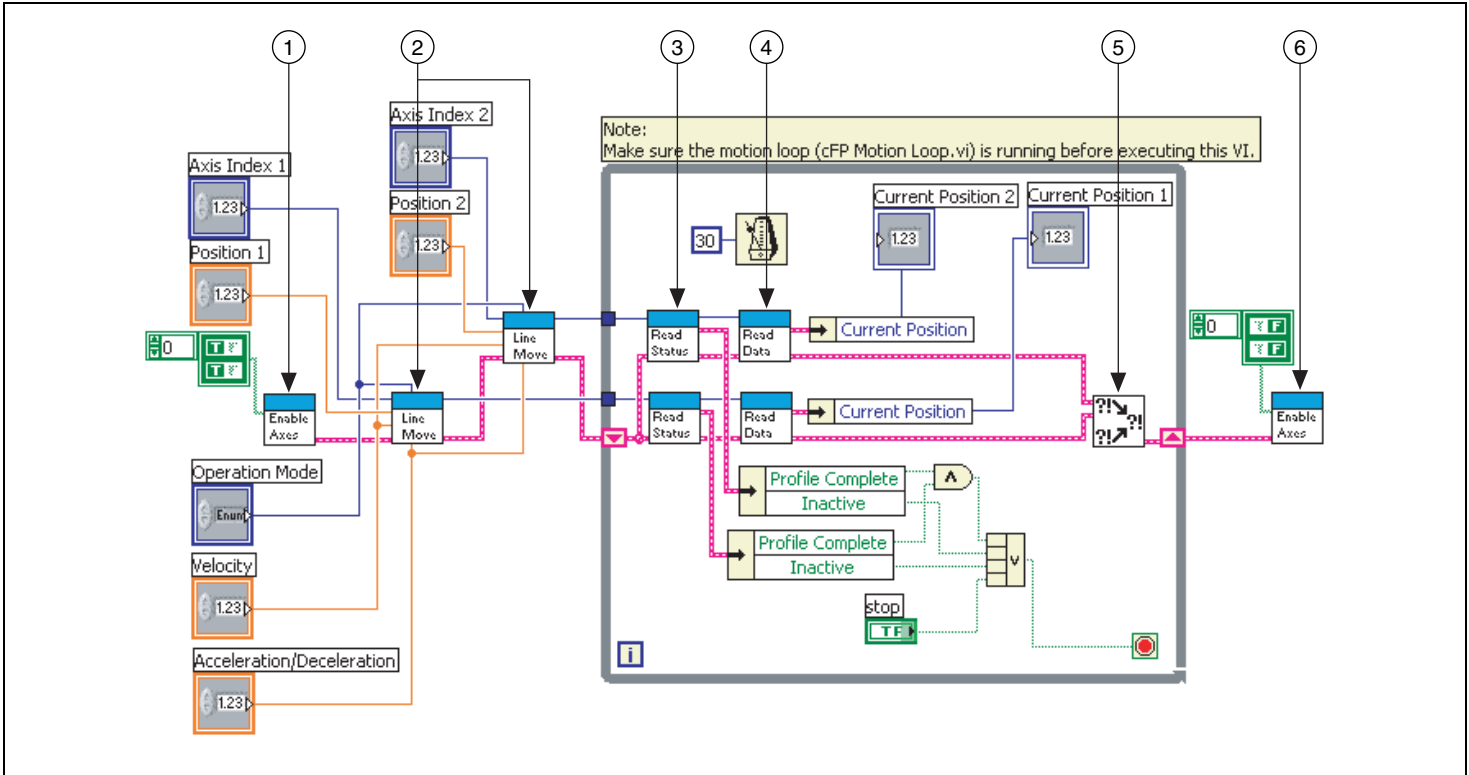


Figure 5. cFP Main VI Block Diagram

Table 8. Description of the cFP Main VI Block Diagram

Callout Number	VI, Function, or Variable Name and Description
1	User-defined VI enables the axes.
2	User-defined VI specifies the position, acceleration, deceleration, and operation mode for a particular axis.
3	User-defined VI reads the execution status for the specified axis.
4	User-defined VI reads the axis data for the specified axis.
5	LabVIEW Merge Errors VI. Use this VI to merge error I/O clusters from different functions. This VI first looks for errors among error in 1 , error in 2 , and error in 3 , then error array in , and reports the first error found. If the VI finds no errors, it looks for warnings, and returns the first warning found. If the VI finds no warnings, it returns no error.
6	User-defined VI disables the axes.

M Series DAQ Device

The following sections describe the M Series DAQ Device Gantry example installed with the NI SoftMotion Development Module. This example implements a motion controller for three axes using an M Series DAQ device. Two of the axes in the example are controlled as an xy coordinate. The third axis is controlled individually as the z-axis. These three axes together constitute a gantry system.

M Series Motion Loop VI

Figure 6 shows the block diagram of the M Series Motion Loop VI. This VI implements a motion controller for one coordinate, consisting of two axes, and one independent axis on an M Series DAQ device.

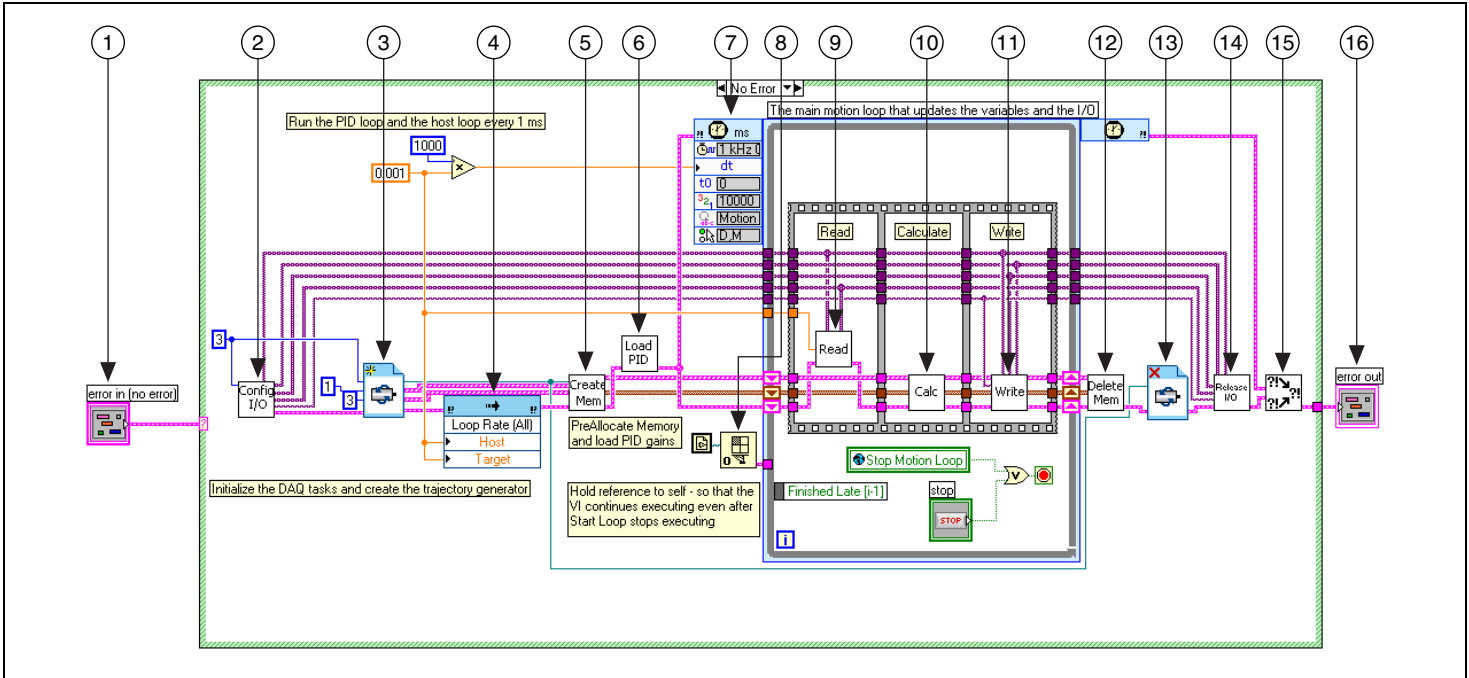


Figure 6. M Series Motion Loop VI Block Diagram

Table 9. Description of the M Series Device Motion Loop VI Block Diagram

Callout Number	VI, Function, or Variable Name and Description
1	LabVIEW Error Handler VI checks for errors before beginning the loop.
2	User-defined VI determines what I/O to use on the M Series DAQ device, such as encoders and analog devices.
3	Trajectory Generator Create function opens a reference to the trajectory generator. Always execute this function prior to making any calls into the trajectory generator.

Table 9. Description of the M Series Device Motion Loop VI Block Diagram (Continued)

Callout Number	VI, Function, or Variable Name and Description
4	Trajectory Generator Method—Loop Rate Method sets up the loop rate for the trajectory generator and motion loop.
5	<p>User-defined VI allocates memory on the DAQ M Series device. This VI improves the performance of the application because it allocates the memory only once rather than each time the VI loops. Use this VI to allocate memory for the following items:</p> <ul style="list-style-type: none">• Execution status data• Axis data• Trajectory data• Array of axis handles• Additional arrays that contain other state data• Control output values• PID parameters
6	User-defined VI configures the PID parameters for the axes.
7	LabVIEW Timed Loop node. Use this node to set up loop timing.
8	LabVIEW Open VI Reference VI opens a reference to the VI specified by the path wired in.
9	User-defined VI reads in data from encoders and global variables.
10	User-defined VI executes the NI SoftMotion Module trajectory generator and call the control loop to calculate command output values.
11	User-defined VI writes the command output values to the I/O on the M Series DAQ device.
12	User-defined VI frees the memory you allocated.
13	Trajectory Generator Delete function frees the memory allocated for the trajectory generator you created.

Table 9. Description of the M Series Device Motion Loop VI Block Diagram (Continued)

Callout Number	VI, Function, or Variable Name and Description
14	User-defined VI releases the I/O you previously configured.
15	LabVIEW Merge Errors VI. Use this VI to merge error I/O clusters from different functions. This VI first looks for errors among error in 1 , error in 2 , and error in 3 , then error array in , and reports the first error found. If the VI finds no errors, it looks for warnings, and returns the first warning found. If the VI finds no warnings, it returns no error.
16	LabVIEW Error Handler VI shows any errors that occurred.

Application VI

Figure 7 shows the block diagram of the M Series Gantry Cycle VI. This VI repeatedly cycles through a set of given positions resulting in coordinate motion along the x- and y- axes and vertical motion along the z-axis.



Note For this example to work properly, the M Series Motion Loop VI must be running in the background. You can synchronize the Motion Loop VI with the Application VI in one of several ways. For example, you can use a VI from the **Advanced»Synchronization»Rendezvous** palette. Or, you can use the VI Server to dynamically run the VI. For information about synchronizing VIs, refer to the *Rendezvous VIs* topic or the *VI Server* topic in *LabVIEW Help*. Also, refer to the *What Is a Rendezvous?* and/or *Dynamically Load and Run a VI without Opening its Front Panel Using VI Server and Rendezvous VIs* articles on the NI Developer Zone.

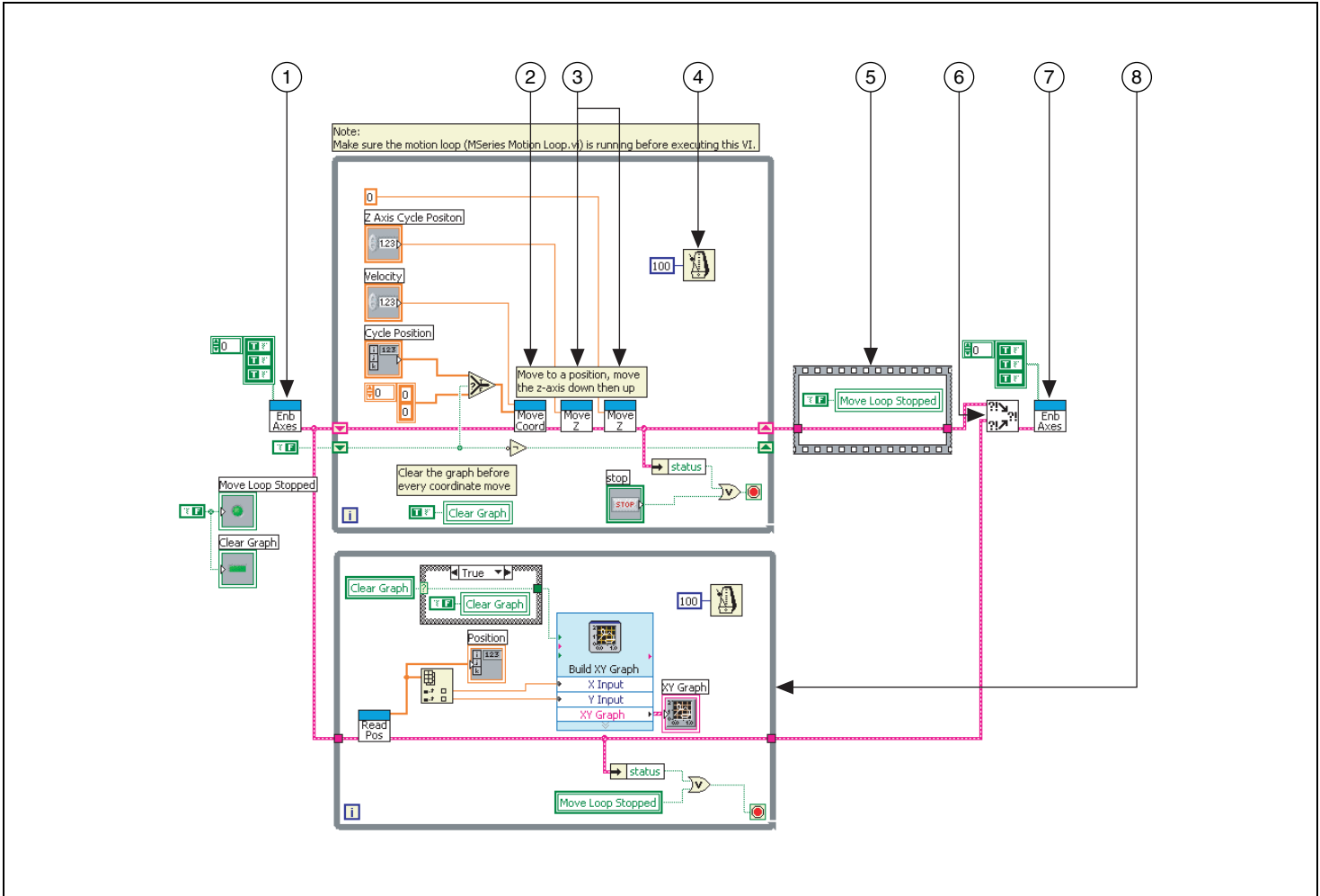


Figure 7. M Series Gantry Cycle VI Block Diagram

Table 10. Description of M Series Gantry Cycle VI Block Diagram

Callout Number	VI, Function, or Variable Name and Description
1	User-defined VI enables the axes.
2	User-defined VI specifies the following move constraints: <ul style="list-style-type: none">• Target position• Velocity• Acceleration rate• Deceleration rate• Jerk values for both the acceleration and deceleration
3	User-defined VI moves the motor up and back on the z-axis after reaching the position specified in the previous VI.
4	LabVIEW Wait Until Next ms Multiple VI. Use this VI to specify a delay for the While Loop.
5	Case statement and global variable used to determine if motion has stopped.
6	LabVIEW Merge Errors VI. Use this VI to merge error I/O clusters from different functions. This VI first looks for errors among error in 1 , error in 2 , and error in 3 , then error array in , and reports the first error found. If the VI finds no errors, it looks for warnings, and returns the first warning found. If the VI finds no warnings, it returns no error.
7	User-defined VI disables the axes.
8	While Loop to read the current axes position using a user-defined VI, and then graph the position using the Build XY Graph Express VI.

cRIO-9104

The following sections describe the cRIO-9104 example installed with the NI SoftMotion Development Module. This example implements a motion controller for three axes using the cRIO-9104. Two of the axes in the example are controlled as an xy coordinate. The third axis is controlled individually as the z-axis. These three axes together constitute a gantry system.



Note In this example, the control loop runs on the FPGA, and the trajectory generator runs on the RT system.

cRIO Motion Loop VI

Figure 8 shows the block diagram of the cRIO Motion Loop VI. This VI implements a motion controller for one coordinate, consisting of two axes, and one independent axis on the cRIO-9104.

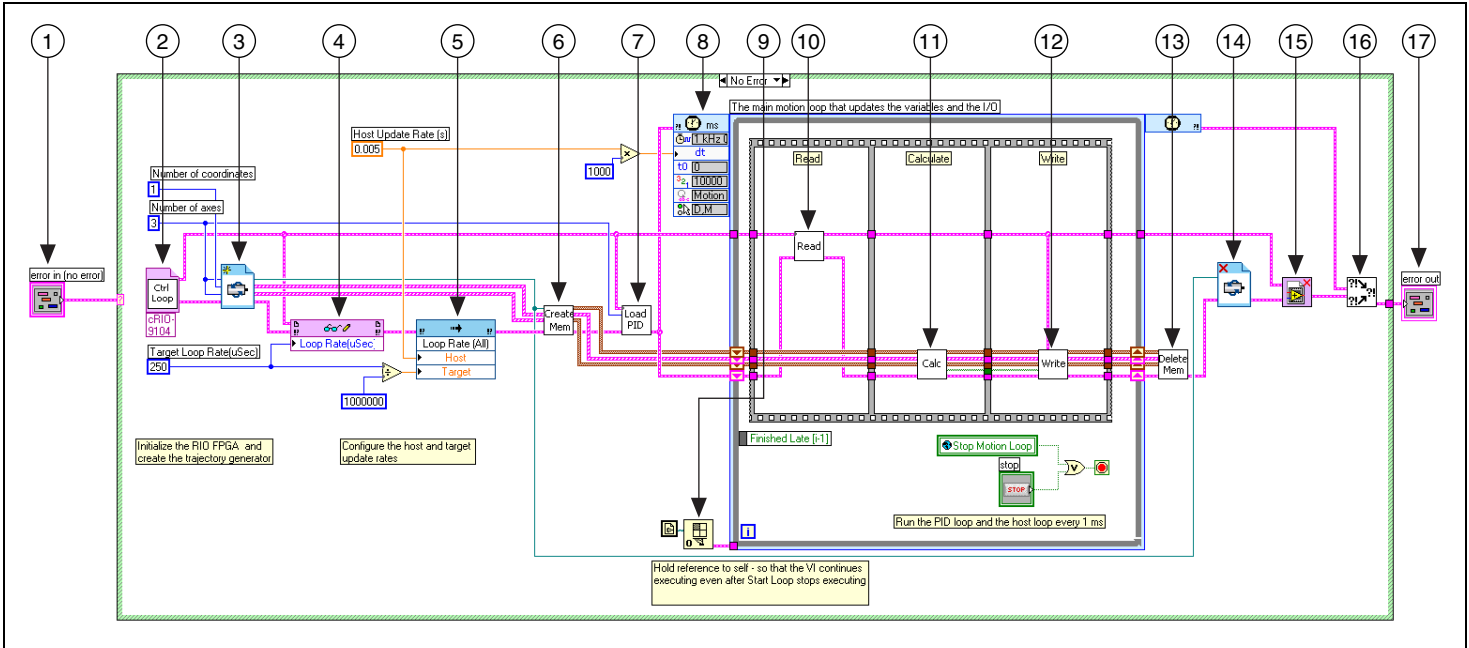


Figure 8. cRIO Motion Loop VI Block Diagram

Table 11. Description of cRIO Motion Loop VI Block Diagram

Callout Number	VI, Function, or Variable Name and Description
1	LabVIEW Error Handler VI checks for errors before beginning the loop.
2	LabVIEW Open FPGA VI Reference VI determines what I/O you use on the cRIO-9104, which includes analog and digital I/O. This VI starts the _CRIO Target Loop VI, which implements the control loop and the encoder. Opening this reference allows the Motion Loop VI to access all the registers, or controls and indicators, on the _CRIO Target Loop VI.
3	Trajectory Generator Create function opens a reference to the trajectory generator. Always execute this function prior to making any calls into the trajectory generator.

Table 11. Description of cRIO Motion Loop VI Block Diagram (Continued)

Callout Number	VI, Function, or Variable Name and Description
4	LabVIEW Read/Write Control. Use this node to set the control loop rate for the FPGA control loop.
5	Trajectory Generator Method—Loop Rate method sets the loop rate for the trajectory generator and PID on the FPGA.
6	<p>User-defined VI allocates memory on the cRIO-9104 device. This VI improves the performance of the application because it allocates the memory only once, rather than each time the VI loops. Use this VI to allocate memory for the following items:</p> <ul style="list-style-type: none"> • Execution status data • Axis data • Trajectory data • Array of axis handles • Additional arrays that contain other state data • Control output values • PID parameters
7	User-defined VI configures the PID parameters for the axes.
8	LabVIEW Timed Loop node. Use this node to set up loop timing.
9	LabVIEW Open VI Reference VI opens a reference to the VI specified by the path wired in.
10	User-defined VI reads in data from encoders and global variables.
11	User-defined VI executes the NI SoftMotion Module trajectory generator and call the control loop to calculate and write the command output values.
12	User-defined VI writes the command output values to the I/O on the cRIO-9104 device.
13	User-defined VI to frees the memory you allocated.
14	Trajectory Generator Delete function frees the memory allocated for the trajectory generator you created.

Table 11. Description of cRIO Motion Loop VI Block Diagram (Continued)

Callout Number	VI, Function, or Variable Name and Description
15	LabVIEW Close FPGA VI Reference VI closes the reference to the VI you previously opened.
16	LabVIEW Merge Errors VI. Use this VI to merge error I/O clusters from different functions. This VI first looks for errors among error in 1 , error in 2 , and error in 3 , then error array in , and reports the first error found. If the VI finds no errors, it looks for warnings, and returns the first warning found. If the VI finds no warnings, it returns no error.
17	LabVIEW Error Handler VI shows any errors that occurred.

Application VI

Figure 9 shows the block diagram of the cRIO Gantry Cycle VI. This VI repeatedly cycles through a set of given positions resulting in coordinate motion along the x- and y- axes and vertical motion along the z-axis.



Note For this example to work properly, the cRIO Motion Loop VI must be running in the background. You can synchronize the Motion Loop VI with the Application VI in one of several ways. For example, you can use a VI from the **Advanced»Synchronization»Rendezvous** palette. Or, you can use the VI Server to dynamically run the VI. For information about synchronizing VIs, refer to the *Rendezvous VIs* topic or the *VI Server* topic in *LabVIEW Help*. Also, refer to the *What Is a Rendezvous?* and/or *Dynamically Load and Run a VI without Opening its Front Panel Using VI Server and Rendezvous VIs* articles on the NI Developer Zone.

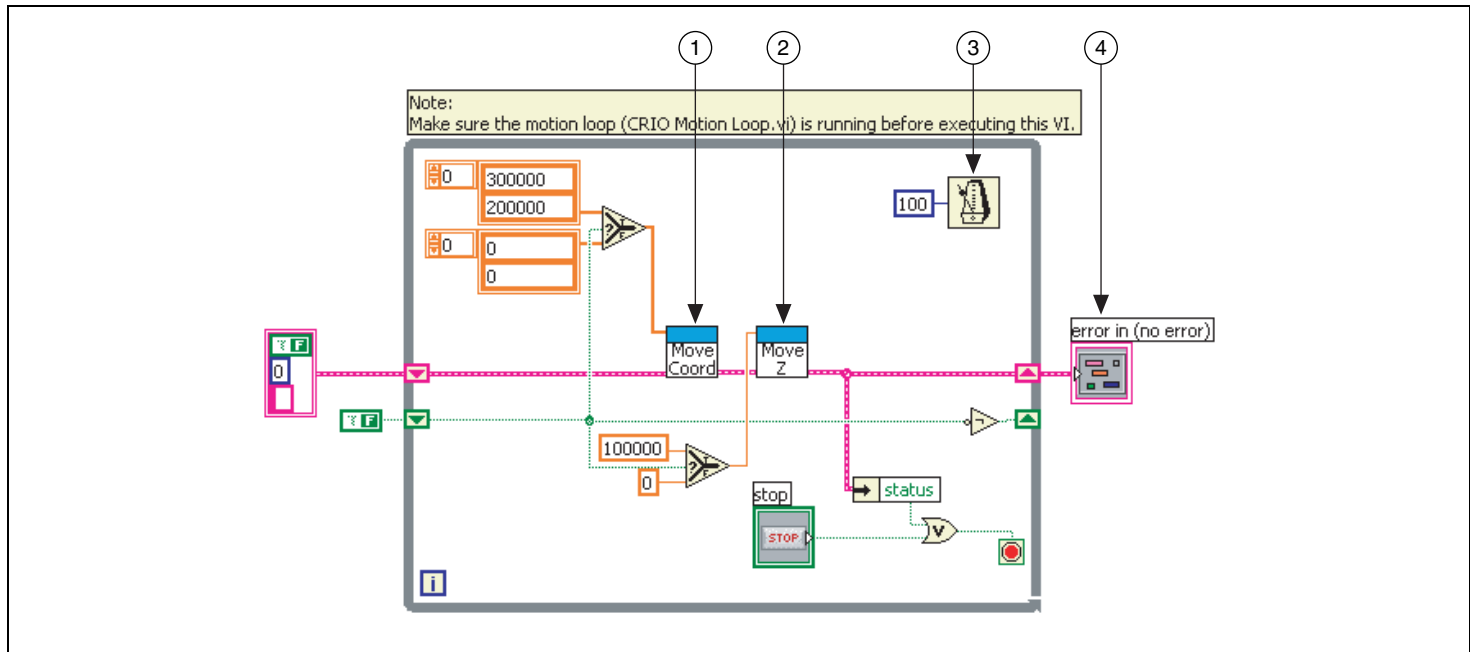


Figure 9. cRIO Gantry Cycle VI Block Diagram

Table 12. Description of cRIO Gantry Cycle VI Block Diagram

Callout Number	VI, Function, or Variable Name and Description
1	User-defined VI specifies the following move constraints: <ul style="list-style-type: none">• Target position• Velocity• Acceleration rate• Deceleration rate• Jerk values for both the acceleration and deceleration
2	User-defined VI moves the motor on the z-axis after reaching the position specified in the previous VI.
3	LabVIEW Wait Until Next ms Multiple VI. Use this VI to specify a delay for the While Loop.
4	LabVIEW Error Handler VI shows any errors that occurred.

CompactRIO™, FieldPoint™, LabVIEW™, National Instruments™, NI™, ni.com™, NI Developer Zone™, and NI SoftMotion™ are trademarks of National Instruments Corporation. Product and company names mentioned herein are trademarks or trade names of their respective companies. For patents covering National Instruments products, refer to the appropriate location: **Help»Patents** in your software, the `patents.txt` file on your CD, or ni.com/patents.

© 2004 National Instruments Corp. All rights reserved.



371331A-01

Sep04