

## GETTING STARTED GUIDE

# NI-DAQ™ mx Base 3.x

This guide describes how to install and configure the NI-DAQmx Base 3.x software and a data acquisition (DAQ) device. This guide also describes how to verify that the device is operating properly.



**Note** For information about NI-DAQmx Base for Linux and Mac OS X, refer to [ni.com/info](http://ni.com/info) and enter BaseGSGML.

## Contents

---

Conventions .....	2
Related Documentation.....	3
Overview .....	3
NI-DAQmx Base .....	4
Device Support .....	4
Operating System, Application Software, Programming Language, and Device Support in NI-DAQmx Base 3.x .....	4
Operating System Support .....	4
Install Application Software .....	5
Step 1. Install the NI-DAQmx Base Software .....	5
Insert the CD .....	5
Install Support Files .....	6
Step 2. For Devices Using the LabVIEW 8.5.1 PDA Module for Windows Mobile Only—Run the PDA Setup Utility .....	7
Step 3. Unpack the Devices, Accessories, and Cables.....	7
Step 4. Install the Devices, Accessories, and Cables .....	8
NI PCMCIA Device Installation.....	8
NI USB Device Installation .....	9
NI CompactFlash Device Installation.....	10
Accessories and PCI/PXI Devices .....	11
Step 5. Confirm That Your Device Is Recognized .....	11
Devices Using the LabVIEW 8.5.1 PDA Module for Windows Mobile.....	11

Step 6. Create and Configure Tasks .....	11
Using the NI-DAQmx Base Task Configuration Utility .....	11
Devices Using the LabVIEW 8.5.1 PDA Module for Windows Mobile .....	12
Create, Modify, and Configure a Task in NI-DAQmx Base.....	13
Devices Using the LabVIEW 8.5.1 PDA Module for Windows Mobile .....	14
Using Tasks in an Application .....	15
Documentation.....	15
Getting Started Developing an Application.....	15
Examples .....	15
Devices on LabVIEW 8.5.1 PDA Module for Windows Mobile .....	16
Obtaining Information about Measurement Applications and Devices.....	16
LabVIEW .....	16
ANSI C.....	16
Training Courses .....	17
Where to Go for Support .....	17

## Conventions

---

The following conventions are used in this guide.

»

The » symbol leads you through nested menu items and dialog box options to a final action. The sequence **File»Page Setup»Options** directs you to pull down the **File** menu, select the **Page Setup** item, and select **Options** from the last dialog box.



This icon denotes a tip, which alerts you to advisory information.



This icon denotes a note, which alerts you to important information.



This icon denotes a caution, which advises you of precautions to take to avoid injury, data loss, or a system crash. When this symbol is marked on the device, refer to the *Read Me First: Safety and Radio-Frequency Interference* document, shipped with the device, for precautions to take.

**bold**

Bold text denotes items that you must select or click in the software, such as menu items and dialog box options. Bold text also denotes parameter names.

*italic*

Italic text denotes variables, emphasis, a cross-reference, or an introduction to a key concept. Italic text also denotes text that is a placeholder for a word or value that you must supply.

monospace

Text in this font denotes text or characters that you should enter from the keyboard, sections of code, programming examples, and syntax examples. This font is also used for the proper names of disk drives, paths, directories, programs, subprograms, subroutines, device names, functions, operations, variables, filenames, and extensions.

*monospace italic*

Italic text in this font denotes text that is a placeholder for a word or value that you must supply.

## Related Documentation

---

The following documents contain information you might find helpful as you read this guide:

- Software documentation
  - *NI-DAQmx Base Help*
  - *NI-DAQmx Base C Function Reference Help*
  - *NI-DAQmx Base 3.x Readme*
  - *NI-DAQmx Help*
  - *Getting Started with the LabVIEW PDA Module for Windows Mobile*, available in PDF format by selecting **Start»Programs»National Instruments»LabVIEW 8.5»LabVIEW Manuals** and selecting `PDA_Getting_Started.pdf`
  - *LabVIEW Help*, available by selecting **Help»Search the LabVIEW Help**
  - *LabVIEW Fundamentals*, available in PDF format by selecting **Start»Programs»National Instruments»LabVIEW 8.5»LabVIEW Manuals** and selecting `LV_Fundamentals.pdf`
- Hardware documentation
  - *NI CF-6004 User Guide and Specifications*
  - *NI USB-6008/6009 User Guide and Specifications*
  - *NI USB-6501 User Guide and Specifications*
  - *E Series User Manual*
- Documentation for your PDA device

## Overview

---

National Instruments measurement devices are packaged with NI-DAQmx or NI-DAQmx Base driver software. NI-DAQmx includes an extensive library of VIs and ANSI C functions that you can call from your application software, such as LabVIEW or NI LabWindows™/CVI™, to program all the features of your NI measurement devices. The NI-DAQmx Base driver

software has an application programming interface (API), which is a library of VIs and ANSI C functions for creating applications for your device.

## NI-DAQmx Base

NI-DAQmx Base is a driver that allows you to build applications that run using a PDA device and Windows. NI-DAQmx Base includes the following features:

- NI-DAQmx Base is a subset of the NI-DAQmx API and is similar in functionality to NI-DAQmx.
- NI-DAQmx Base consists of a LabVIEW VI framework, which allows you to customize the driver, if needed, when using LabVIEW.
- NI-DAQmx Base provides a high-level interface on the LabVIEW 8.5.1 PDA Module for Windows Mobile and Windows Vista/XP/2000.



**Note** If you are familiar with NI-DAQmx, refer to the *NI-DAQmx Base 3.x Readme* for information about the differences between NI-DAQmx Base and NI-DAQmx.

## Device Support

NI-DAQmx Base 3.x supports the following devices under the LabVIEW 8.5.1 PDA Module for Windows Mobile:

- NI CF-6004
- NI DAQCard-6024E
- NI DAQCard-6036E
- NI DAQCard-6062E
- NI USB-6008
- NI USB-6009
- NI USB-6501

# Operating System, Application Software, Programming Language, and Device Support in NI-DAQmx Base 3.x

---

## Operating System Support

NI-DAQmx Base 3.x supports Windows Vista/XP/2000 and Windows Vista x86/x64. The development environment for devices on the LabVIEW 8.5.1 PDA Module for Windows Mobile is supported on Windows Vista/XP/2000.



**Note** Only one version of NI-DAQmx Base (such as NI-DAQmx Base 3.1) can be installed on the same computer at the same time.

# Install Application Software

---

Install the NI application software, including LabVIEW, NI LabWindows/CVI, and NI Measurement Studio. PDA Module users must use LabVIEW 8.5.1 PDA Module for Windows Mobile with NI-DAQmx Base 3.1. Refer to the *Operating System, Application Software, Programming Language, and Device Support in NI-DAQmx Base 3.x* section for more information. Also, refer to *Getting Started with the LabVIEW PDA Module for Windows Mobile* for more information by selecting **Start»Programs»National Instruments»LabVIEW 8.5»LabVIEW Manuals** and selecting PDA\_Getting\_Started.pdf.



**Note** PDA Module users should make sure that LabVIEW 8.5.1 PDA Module for Windows Mobile is completely installed and configured before continuing.

## Step 1. Install the NI-DAQmx Base Software

---

The following sections describe how to install the NI-DAQmx Base software.

### Insert the CD



**Note** Install your driver software before installing new hardware devices, or the operating system might not detect your device, and you might see warnings asking you to install the driver.

Inserting the CD launches the NI-DAQmx Base install window.

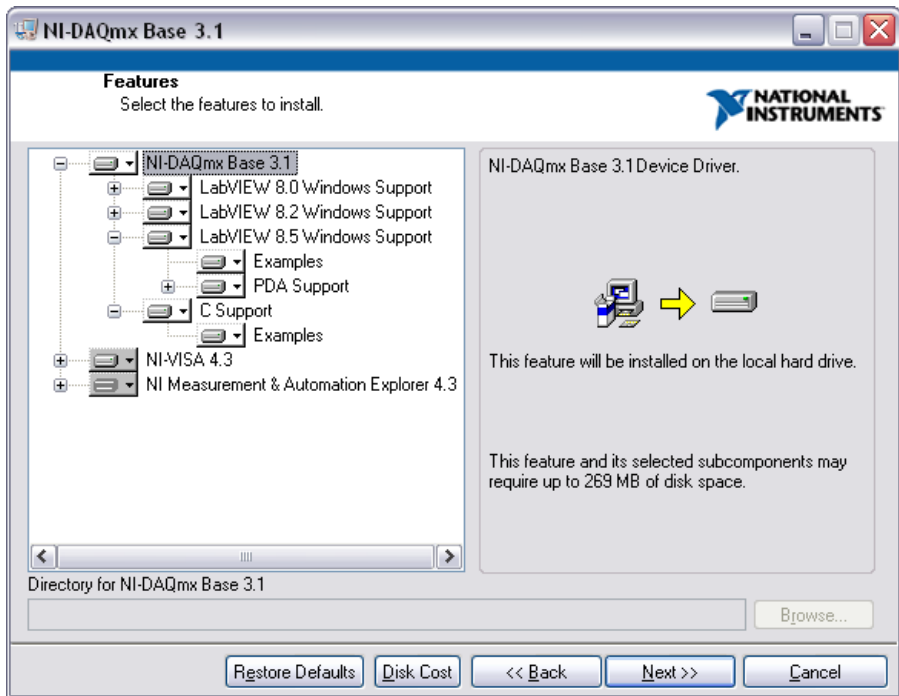
If the NI-DAQmx Base install window does not open automatically, complete the following steps:

1. Select **Start»Run**.
2. Enter `x:\setup.exe`, where *x* is the letter of the CD drive.
3. Click **Install NI-DAQmx Base**.

# Install Support Files

The NI-DAQmx Base installer detects the NI software installed on the operating system and automatically selects the latest versions of the driver, application software, and language support files from the CD.

The NI-DAQmx Base installer displays which features will be installed on your computer, as shown in the following figure.



Complete the following steps to install NI-DAQmx Base.

1. In the Features window, shown in the previous figure, verify that the installer detected and selected the correct support files and the correct version number of the application software.
2. Click the + next to the feature to expand the list of feature subcomponents, as shown in the previous figure. You can select additional options to install the support files, examples, and documentation.
3. Follow the software prompts.
4. Click **Finish** and wait for the installer to complete. NI-DAQmx Base might require you to reboot your computer to complete installation.

## Step 2. For Devices Using the LabVIEW 8.5.1 PDA Module for Windows Mobile Only—Run the PDA Setup Utility

---

After running the NI-DAQmx Base installation, you must copy the driver files to the PDA device. Complete the following steps to run the Pocket PC Driver Installation utility.

1. Select **Start»Programs»National Instruments»NI-DAQmx Base»Utilities**.
2. Click **Windows Mobile-CE Driver Installation** to launch the Pocket PC Add/Remove Programs utility window.
3. Click **Yes** in the Pocket PC Add/Remove Programs utility window to install the device driver into the default application install directory.
4. Check the PDA device screen to see if any additional steps are requested, such as replacing an older driver.

If there are no error messages, you have successfully completed the steps to install the driver files on the PDA device.

## Step 3. Unpack the Devices, Accessories, and Cables

---

Your device ships in an antistatic package to prevent electrostatic discharge (ESD) damage to the device. ESD can damage several components on the device.



**Caution** *Never* touch the exposed pins of connectors.

To avoid such damage, take the following precautions:

- Ground yourself using a grounding strap or by touching a grounded object.
- Touch the antistatic package to a metal part of the computer chassis before removing the device from the package.

Remove the device from the package and inspect the device for loose components or any sign of damage. Notify NI if the device appears damaged in any way. Do *not* install a damaged device in the computer, PDA device, or PXI chassis.

Store the device in the antistatic package when the device is not in use.

For safety and compliance information, refer to the device documentation packaged with your device.

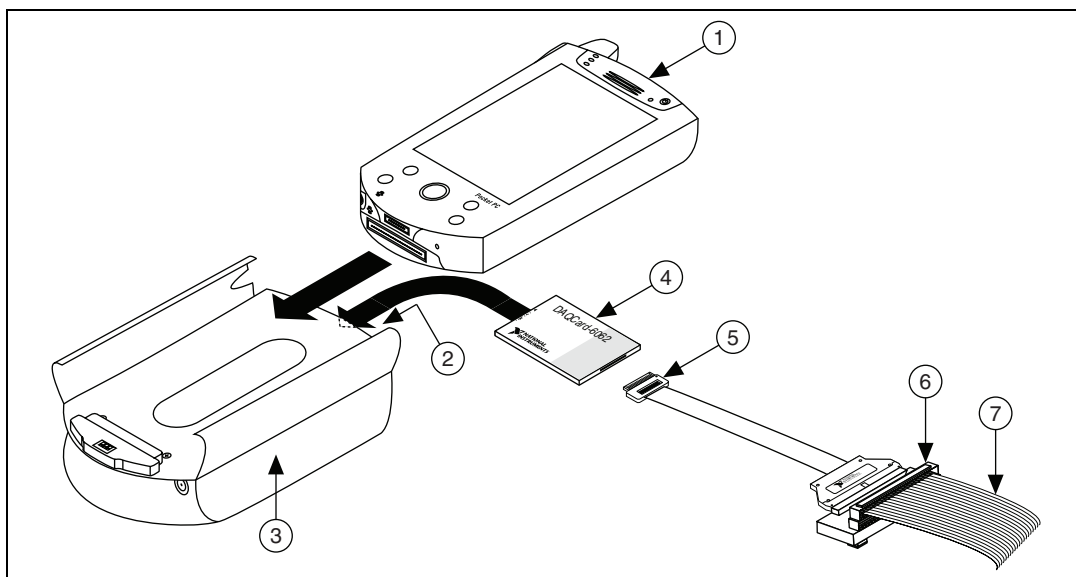
# Step 4. Install the Devices, Accessories, and Cables

## NI PCMCIA Device Installation



**Caution** Follow proper ESD precautions to ensure you are grounded before installing the hardware.

The NI PCMCIA device supports hot insertion on a PDA device, which means the NI PCMCIA device can be installed and removed without rebooting the PDA device. You can install an NI PCMCIA device in any available Type II PC Card slot.



1 PDA with Type II PC Card Slot  
2 Type II PC Card Socket  
3 PDA Expansion Pack

4 NI PCMCIA Device  
5 I/O Cable

6 Accessory  
7 I/O Signals

To install the NI PCMCIA device, refer to the previous figure while completing the following steps.

1. Attach the Type II PC cardsleeve or expansion pack to the PDA device, if necessary.
2. NI PCMCIA devices have two connectors: a 68-pin PCMCIA bus connector on one end and an I/O connector on the other end. The NI PCMCIA device is keyed so that you can only insert it one way. Insert the NI PCMCIA device in the slot until the connector is firmly seated.



**Caution** Always grasp the cable by the connector you are inserting or removing. *Never* pull directly on the I/O cable to unplug it from the PCMCIA device.

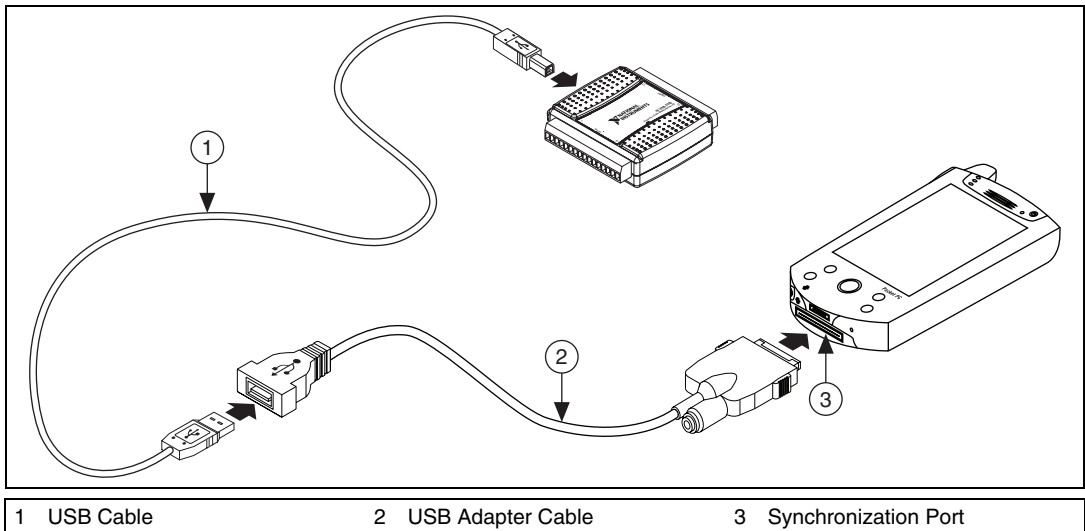
3. Attach the I/O cable. Be careful not to put strain on the I/O cable when inserting or removing the cable connector.

## NI USB Device Installation



**Caution** Follow proper ESD precautions to ensure you are grounded before installing the hardware.

The NI USB devices support hot insertion on a PDA device, which means you can install and remove the NI USB device without rebooting the PDA device. You can install an NI USB device into any USB port that supports USB host controller capabilities.



1. Connect the USB adapter cable to the synchronization port on the PDA.
2. Connect the USB device to the adapter cable with the USB cable.



**Note** If you are using the USB device on a computer with Windows Vista/XP/2000 and NI-DAQmx 7.5 or later installed on it, make sure the correct firmware is installed on the device. Go to [ni.com/info](http://ni.com/info) and enter code `USBFirmware` for more information.



**Note** Before connecting a USB device to a PDA for the first time, you must connect the USB device to a computer with NI-DAQmx Base 3.x installed on it in order to install the appropriate firmware on the USB device. Go to [ni.com/info](http://ni.com/info) and enter code `USBFirmware` for more information.

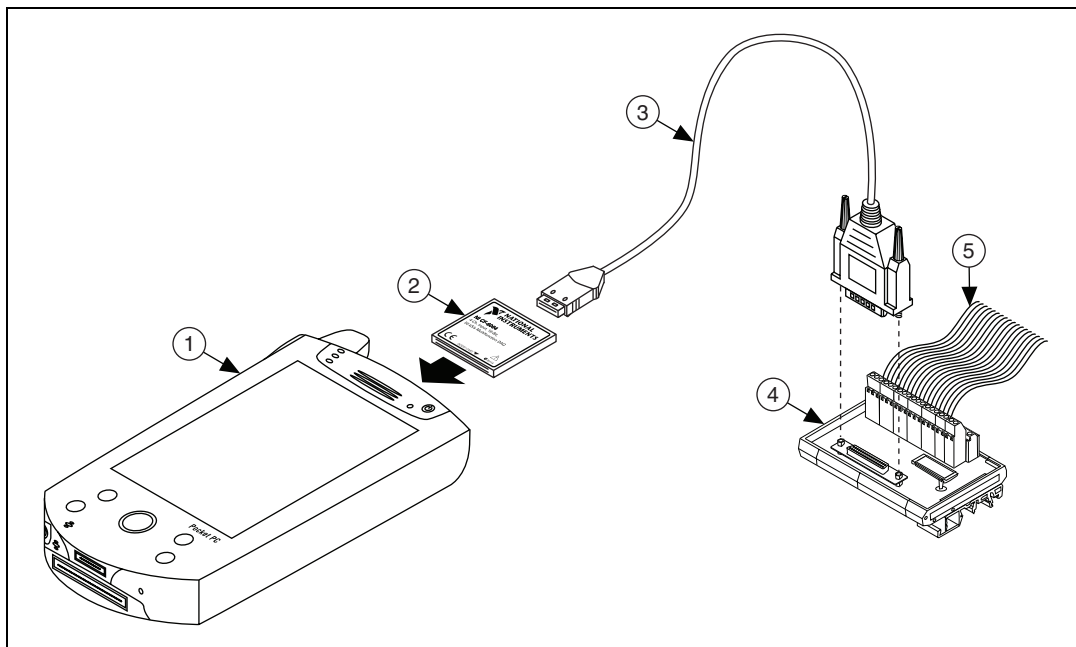
# NI CompactFlash Device Installation



**Caution** Follow proper ESD precautions to ensure you are grounded before installing the hardware.

The NI CompactFlash device supports hot insertion on a PDA device, which means you can install and remove the NI CompactFlash device without rebooting the PDA device. You can install an NI CompactFlash device in any available Type II CompactFlash slot.

To install the NI CompactFlash device, refer to the following figure while completing the following steps.



1 PDA with Type II CompactFlash Slot  
2 NI CompactFlash Device

3 I/O Cable  
4 Accessory

5 I/O Signals

1. NI CompactFlash devices have two connectors: a 50-pin CompactFlash bus connector on one end, and an I/O connector on the other. The NI CompactFlash device is keyed so that you can insert it only one way. Insert the NI CompactFlash device in the slot until the connector is firmly seated.



**Caution** Always grasp the device by the connectors you are inserting or removing. *Never* pull directly on the I/O to unplug it from the NI CompactFlash device.

2. Attach the I/O cable. Be careful not to put strain on the I/O cable when inserting or removing the cable connector.

## Accessories and PCI/PXI Devices

Install accessories and/or terminal blocks according to the instructions in their user guides. Install PCI and PXI devices according to the instructions included with your device.

## Step 5. Confirm That Your Device Is Recognized

---

The following section discusses how to confirm that your device is recognized.

### Devices Using the LabVIEW 8.5.1 PDA Module for Windows Mobile

Windows Mobile devices only indicate whether a hardware installation error occurred. If there are no error messages, you have successfully installed the features and the device is recognized by the NI-DAQmx Base driver. If you receive an Unknown Device error message, you have not correctly installed NI-DAQmx Base on the PDA device. Refer to [Step 1. Install the NI-DAQmx Base Software](#) for more information about how to install the PDA features of the NI-DAQmx Base driver.

## Step 6. Create and Configure Tasks

---

A *task*, an important concept for NI-DAQmx and NI-DAQmx Base, is a collection of one or more channels with timing, triggering, and other properties. Conceptually, a task represents a measurement or generation you want to perform. You can set up and save all configuration information in a task and use the task in an application.

### Using the NI-DAQmx Base Task Configuration Utility

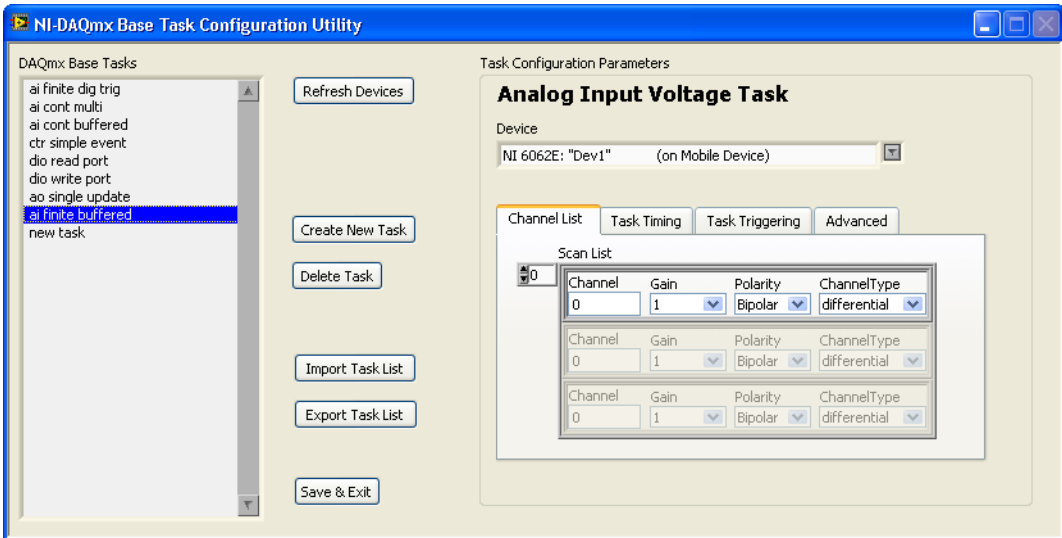
The following sections describe how to use the NI-DAQmx Base Task Configuration Utility.

# Devices Using the LabVIEW 8.5.1 PDA Module for Windows Mobile

Using the NI-DAQmx Base Task Configuration Utility is required when using devices with the LabVIEW 8.5.1 PDA Module for Windows Mobile. In NI-DAQmx Base 3.1, task information is embedded in the built application. Prior to building and downloading your VI to the PDA device, you must configure and save the tasks you want to use.

To use the Task Configuration Utility, complete the following steps:

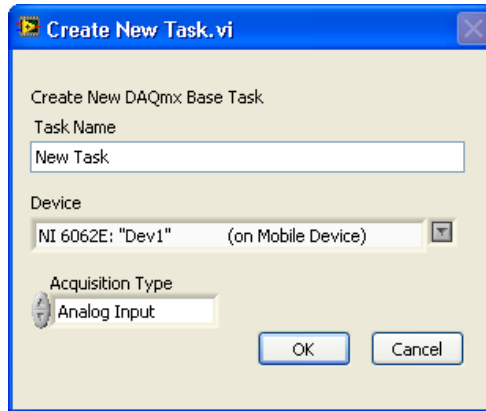
1. Open LabVIEW.
2. Select **Tools»NI-DAQmx Base Task Configuration Utility**.



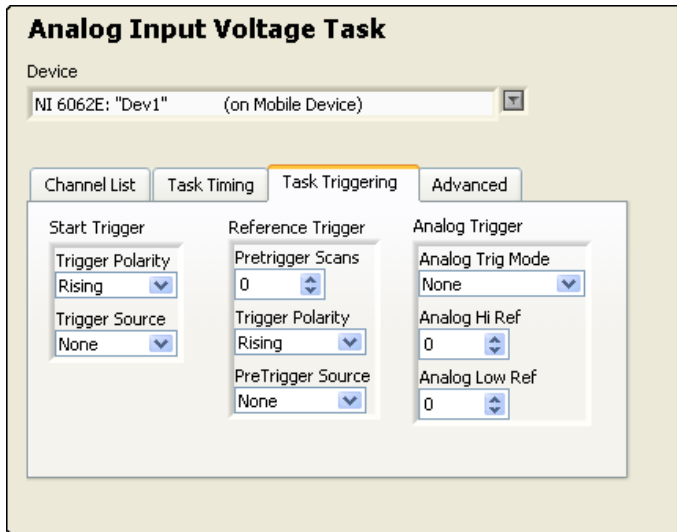
## Create, Modify, and Configure a Task in NI-DAQmx Base

Create a new task or modify an existing task in the Task Configuration Utility task list. The pre-installed tasks are configured to work with the examples without modifications. To modify an existing task, select it in the task list. To create a new task, complete the following steps:

1. Click **Create New Task**. The Create New Task.vi window opens.



2. Enter a name for the new task.
3. Select the device. For devices using the LabVIEW 8.5.1 PDA Module for Windows Mobile, select the device that matches your installed hardware.
4. Select the acquisition type. Click **OK** when finished.
5. Each acquisition type contains a set of tabbed dialog boxes for configuring the task. Configure all options specific to your task.



**Tip** You can view context help for the Task Configuration Utility by pressing <Ctrl-H>.

6. Click **Save & Exit** when you are finished configuring your tasks. The task configuration is automatically saved into LabVIEW global variables. You do not need to explicitly save the configuration.

To transfer the task configuration to other computers, click **Export Configuration** and save the tasks to a file. You then can use **Import Configuration** to import the task configuration.



**Note** The Import Configuration and Export Configuration options operate on the entire set of tasks shown in the Task Configuration Utility. Importing a configuration replaces any existing tasks, including the predefined tasks for the example programs.

## Devices Using the LabVIEW 8.5.1 PDA Module for Windows Mobile

When you are using devices that use the LabVIEW 8.5.1 PDA Module for Windows Mobile, the task configuration is built into the target application. You *cannot* retrieve the task information after it is embedded in a built application. Exporting the configuration allows you to preserve the task in case of accidental deletion when using the Task Configuration Utility.

## Using Tasks in an Application

To use a preconfigured task in your application, complete the following steps:

1. Right-click the **task/channels in** terminal on a NI-DAQmx Base VI.
2. Select **Create»Control** or **Create»Constant**.
3. Type the name of the task in the control or constant.
4. To set the value as the default for the control, right-click the control and select **Data Operations»Make Current Value Default**.

## Documentation

---

The NI-DAQmx Base software kit includes online documentation for supported devices and accessories, including PDF and help files describing device terminals, specifications, features, and operation.

After installation, the documents are accessible from **Start»Programs»National Instruments»NI-DAQmx Base»Documentation**.



**Note** You must have Internet Explorer version 5.0 or later to use some features of the NI-DAQmx Base documentation, including the help system.

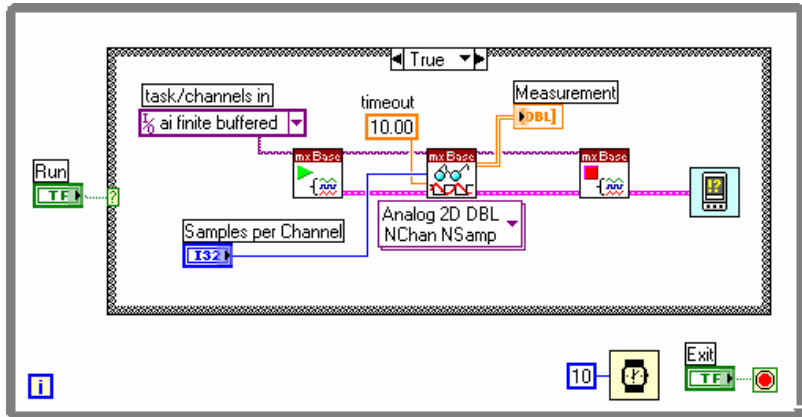
## Getting Started Developing an Application

---

### Examples

Each API includes a collection of programming examples to help you start developing an application. You can modify example code and save it in an application. You can use examples to develop a new application or add example code to an existing application. NI-DAQmx Base examples are accessible from **Start»Programs»National Instruments»NI-DAQmx Base»Examples**.

The following figure illustrates a typical NI-DAQmx Base application in LabVIEW. The pictured task uses a preconfigured task to acquire and display a finite number of points for multiple channels.



## Devices on LabVIEW 8.5.1 PDA Module for Windows Mobile

Refer to *Getting Started with the LabVIEW PDA Module for Windows Mobile* for more information about how to create a PDA application.

## Obtaining Information about Measurement Applications and Devices

Each application software package and driver includes information about writing applications for taking measurements and controlling measurement devices. The following references assume you have NI-DAQmx Base and, where applicable, LabVIEW installed on your computer.

### LabVIEW

If you are a new user, complete *Getting Started with LabVIEW* to get acquainted with LabVIEW. Select **Start»Programs»National Instruments»LabVIEW»LabVIEW Manuals** and open `LV_Getting_Started.pdf`.

The LabVIEW *NI-DAQmx Base Help* describes the LabVIEW VIs and properties. In LabVIEW, select **Help»Search the LabVIEW Help** and the VI reference help section for NI-DAQmx Base.

### ANSI C

The *NI-DAQmx Base C Function Reference Help* contains an API overview. Select **Start»Programs»National Instruments»NI-DAQmx Base C Function Reference Help**.

## Training Courses

National Instruments offers training courses for those interested in receiving more help developing an application with NI products. To enroll in a course or obtain a detailed course outline, refer to [ni.com/training](http://ni.com/training).

## Where to Go for Support

---

The National Instruments Web site is your complete resource for technical support. At [ni.com/support](http://ni.com/support) you have access to everything from troubleshooting and application development self-help resources to email and phone assistance from NI Application Engineers.

National Instruments corporate headquarters is located at 11500 North Mopac Expressway, Austin, Texas, 78759-3504. National Instruments also has offices located around the world to help address your support needs. For telephone support in the United States, create your service request at [ni.com/support](http://ni.com/support) and follow the calling instructions or dial 512 795 8248. For telephone support outside the United States, contact your local branch office:

Australia 1800 300 800, Austria 43 662 457990-0,  
Belgium 32 (0) 2 757 0020, Brazil 55 11 3262 3599,  
Canada 800 433 3488, China 86 21 5050 9800,  
Czech Republic 420 224 235 774, Denmark 45 45 76 26 00,  
Finland 358 (0) 9 725 72511, France 01 57 66 24 24,  
Germany 49 89 7413130, India 91 80 41190000, Israel 972 3 6393737,  
Italy 39 02 41309277, Japan 0120-527196, Korea 82 02 3451 3400,  
Lebanon 961 (0) 1 33 28 28, Malaysia 1800 887710,  
Mexico 01 800 010 0793, Netherlands 31 (0) 348 433 466,  
New Zealand 0800 553 322, Norway 47 (0) 66 90 76 60,  
Poland 48 22 3390150, Portugal 351 210 311 210, Russia 7 495 783 6851,  
Singapore 1800 226 5886, Slovenia 386 3 425 42 00,  
South Africa 27 0 11 805 8197, Spain 34 91 640 0085,  
Sweden 46 (0) 8 587 895 00, Switzerland 41 56 2005151,  
Taiwan 886 02 2377 2222, Thailand 662 278 6777,  
Turkey 90 212 279 3031, United Kingdom 44 (0) 1635 523545

National Instruments, NI, ni.com, and LabVIEW are trademarks of National Instruments Corporation. Refer to the *Terms of Use* section on [ni.com/legal](http://ni.com/legal) for more information about National Instruments trademarks. Other product and company names mentioned herein are trademarks or trade names of their respective companies. For patents covering National Instruments products, refer to the appropriate location: **Help»Patents** in your software, the `patents.txt` file on your CD, or [ni.com/patents](http://ni.com/patents).