

PXI

NI PXI-1031/PXI-1031DC User Manual

Worldwide Technical Support and Product Information

ni.com

National Instruments Corporate Headquarters

11500 North Mopac Expressway Austin, Texas 78759-3504 USA Tel: 512 683 0100

Worldwide Offices

Australia 1800 300 800, Austria 43 662 457990-0, Belgium 32 (0) 2 757 0020, Brazil 55 11 3262 3599,
Canada 800 433 3488, China 86 21 5050 9800, Czech Republic 420 224 235 774, Denmark 45 45 76 26 00,
Finland 385 (0) 9 725 72511, France 33 (0) 1 48 14 24 24, Germany 49 89 7413130, India 91 80 41190000,
Israel 972 3 6393737, Italy 39 02 413091, Japan 81 3 5472 2970, Korea 82 02 3451 3400,
Lebanon 961 (0) 1 33 28 28, Malaysia 1800 887710, Mexico 01 800 010 0793, Netherlands 31 (0) 348 433 466,
New Zealand 0800 553 322, Norway 47 (0) 66 90 76 60, Poland 48 22 3390150, Portugal 351 210 311 210,
Russia 7 495 783 6851, Singapore 1800 226 5886, Slovenia 386 3 425 42 00, South Africa 27 0 11 805 8197,
Spain 34 91 640 0085, Sweden 46 (0) 8 587 895 00, Switzerland 41 56 2005151, Taiwan 886 02 2377 2222,
Thailand 662 278 6777, Turkey 90 212 279 3031, United Kingdom 44 (0) 1635 523545

For further support information, refer to the *Technical Support and Professional Services* appendix. To comment on National Instruments documentation, refer to the National Instruments Web site at ni.com/info and enter the info code `feedback`.

Important Information

Warranty

The PXI-1031 and PXI-1031DC chassis are warranted against defects in materials and workmanship for a period of one year from the date of shipment, as evidenced by receipts or other documentation. National Instruments will, at its option, repair or replace equipment that proves to be defective during the warranty period. This warranty includes parts and labor.

The media on which you receive National Instruments software are warranted not to fail to execute programming instructions, due to defects in materials and workmanship, for a period of 90 days from date of shipment, as evidenced by receipts or other documentation. National Instruments will, at its option, repair or replace software media that do not execute programming instructions if National Instruments receives notice of such defects during the warranty period. National Instruments does not warrant that the operation of the software shall be uninterrupted or error free.

A Return Material Authorization (RMA) number must be obtained from the factory and clearly marked on the outside of the package before any equipment will be accepted for warranty work. National Instruments will pay the shipping costs of returning to the owner parts which are covered by warranty.

National Instruments believes that the information in this document is accurate. The document has been carefully reviewed for technical accuracy. In the event that technical or typographical errors exist, National Instruments reserves the right to make changes to subsequent editions of this document without prior notice to holders of this edition. The reader should consult National Instruments if errors are suspected. In no event shall National Instruments be liable for any damages arising out of or related to this document or the information contained in it.

EXCEPT AS SPECIFIED HEREIN, NATIONAL INSTRUMENTS MAKES NO WARRANTIES, EXPRESS OR IMPLIED, AND SPECIFICALLY DISCLAIMS ANY WARRANTY OF MERCHANTABILITY OR FITNESS FOR A PARTICULAR PURPOSE. CUSTOMER'S RIGHT TO RECOVER DAMAGES CAUSED BY FAULT OR NEGLIGENCE ON THE PART OF NATIONAL INSTRUMENTS SHALL BE LIMITED TO THE AMOUNT THEREOF PAID BY THE CUSTOMER. NATIONAL INSTRUMENTS WILL NOT BE LIABLE FOR DAMAGES RESULTING FROM LOSS OF DATA, PROFITS, USE OF PRODUCTS, OR INCIDENTAL OR CONSEQUENTIAL DAMAGES, EVEN IF ADVISED OF THE POSSIBILITY THEREOF. This limitation of the liability of National Instruments will apply regardless of the form of action, whether in contract or tort, including negligence. Any action against National Instruments must be brought within one year after the cause of action accrues. National Instruments shall not be liable for any delay in performance due to causes beyond its reasonable control. The warranty provided herein does not cover damages, defects, malfunctions, or service failures caused by owner's failure to follow the National Instruments installation, operation, or maintenance instructions; owner's modification of the product; owner's abuse, misuse, or negligent acts; and power failure or surges, fire, flood, accident, actions of third parties, or other events outside reasonable control.

Copyright

Under the copyright laws, this publication may not be reproduced or transmitted in any form, electronic or mechanical, including photocopying, recording, storing in an information retrieval system, or translating, in whole or in part, without the prior written consent of National Instruments Corporation.

National Instruments respects the intellectual property of others, and we ask our users to do the same. NI software is protected by copyright and other intellectual property laws. Where NI software may be used to reproduce software or other materials belonging to others, you may use NI software only to reproduce materials that you may reproduce in accordance with the terms of any applicable license or other legal restriction.

Trademarks

National Instruments, NI, ni.com, and LabVIEW are trademarks of National Instruments Corporation. Refer to the *Terms of Use* section on ni.com/legal for more information about National Instruments trademarks.

Other product and company names mentioned herein are trademarks or trade names of their respective companies.

Members of the National Instruments Alliance Partner Program are business entities independent from National Instruments and have no agency, partnership, or joint-venture relationship with National Instruments.

Patents

For patents covering National Instruments products, refer to the appropriate location: **Help»Patents** in your software, the `patents.txt` file on your CD, or ni.com/patents.

WARNING REGARDING USE OF NATIONAL INSTRUMENTS PRODUCTS

(1) NATIONAL INSTRUMENTS PRODUCTS ARE NOT DESIGNED WITH COMPONENTS AND TESTING FOR A LEVEL OF RELIABILITY SUITABLE FOR USE IN OR IN CONNECTION WITH SURGICAL IMPLANTS OR AS CRITICAL COMPONENTS IN ANY LIFE SUPPORT SYSTEMS WHOSE FAILURE TO PERFORM CAN REASONABLY BE EXPECTED TO CAUSE SIGNIFICANT INJURY TO A HUMAN.

(2) IN ANY APPLICATION, INCLUDING THE ABOVE, RELIABILITY OF OPERATION OF THE SOFTWARE PRODUCTS CAN BE IMPAIRED BY ADVERSE FACTORS, INCLUDING BUT NOT LIMITED TO FLUCTUATIONS IN ELECTRICAL POWER SUPPLY, COMPUTER HARDWARE MALFUNCTIONS, COMPUTER OPERATING SYSTEM SOFTWARE FITNESS, FITNESS OF COMPILERS AND DEVELOPMENT SOFTWARE USED TO DEVELOP AN APPLICATION, INSTALLATION ERRORS, SOFTWARE AND HARDWARE COMPATIBILITY PROBLEMS, MALFUNCTIONS OR FAILURES OF ELECTRONIC MONITORING OR CONTROL DEVICES, TRANSIENT FAILURES OF ELECTRONIC SYSTEMS (HARDWARE AND/OR SOFTWARE), UNANTICIPATED USES OR MISUSES, OR ERRORS ON THE PART OF THE USER OR APPLICATIONS DESIGNER (ADVERSE FACTORS SUCH AS THESE ARE HEREAFTER COLLECTIVELY TERMED "SYSTEM FAILURES"). ANY APPLICATION WHERE A SYSTEM FAILURE WOULD CREATE A RISK OF HARM TO PROPERTY OR PERSONS (INCLUDING THE RISK OF BODILY INJURY AND DEATH) SHOULD NOT BE RELIANT SOLELY UPON ONE FORM OF ELECTRONIC SYSTEM DUE TO THE RISK OF SYSTEM FAILURE. TO AVOID DAMAGE, INJURY, OR DEATH, THE USER OR APPLICATION DESIGNER MUST TAKE REASONABLY PRUDENT STEPS TO PROTECT AGAINST SYSTEM FAILURES, INCLUDING BUT NOT LIMITED TO BACK-UP OR SHUT DOWN MECHANISMS, BECAUSE EACH END-USER SYSTEM IS CUSTOMIZED AND DIFFERS FROM NATIONAL INSTRUMENTS' TESTING PLATFORMS AND BECAUSE A USER OR APPLICATION DESIGNER MAY USE NATIONAL INSTRUMENTS PRODUCTS IN COMBINATION WITH OTHER PRODUCTS IN A MANNER NOT EVALUATED OR CONTEMPLATED BY NATIONAL INSTRUMENTS, THE USER OR APPLICATION DESIGNER IS ULTIMATELY RESPONSIBLE FOR VERIFYING AND VALIDATING THE SUITABILITY OF NATIONAL INSTRUMENTS PRODUCTS WHENEVER NATIONAL INSTRUMENTS PRODUCTS ARE INCORPORATED IN A SYSTEM OR APPLICATION, INCLUDING, WITHOUT LIMITATION, THE APPROPRIATE DESIGN, PROCESS AND SAFETY LEVEL OF SUCH SYSTEM OR APPLICATION.

Contents

About This Manual

Conventions	vii
Related Documentation.....	viii

Chapter 1 Getting Started

Unpacking	1-1
What You Need to Get Started	1-1
Key Features	1-2
Chassis Description.....	1-3
Optional Equipment	1-5
EMC Filler Panels	1-5
Rack Mount Kits.....	1-5
Handle/Feet Kit	1-5
DC Power Cable (PXI-1031DC Only).....	1-6
PXI-1031/PXI-1031DC Backplane Overview.....	1-6
Interoperability with CompactPCI	1-6
System Controller Slot	1-6
Star Trigger Slot	1-7
Peripheral Slots.....	1-7
Local Bus	1-7
Trigger Bus	1-8
System Reference Clock.....	1-8

Chapter 2 Installation and Configuration

Safety Information	2-1
Chassis Cooling Considerations	2-2
Providing Adequate Clearance	2-2
Setting Fan Speed	2-3
Installing Filler Panels	2-3
Rack Mounting	2-4
Connecting Safety Ground.....	2-4
Connecting to Power Source.....	2-4
Connecting to an AC Power Source.....	2-5
Connecting to a DC Power Source (PXI-1031DC Only).....	2-5
DC Connector	2-5
Installing a PXI Controller.....	2-6

Installing PXI Modules.....	2-8
PXI System Configuration with MAX.....	2-9
Basic PXI System Configuration	2-10
Trigger Configuration in MAX	2-11
Using System Configuration and Initialization Files	2-11

Chapter 3

Maintenance

DC Fuse Replacement (PXI-1031DC Only)	3-1
Service Interval.....	3-1
Preparation.....	3-1
Cleaning.....	3-2
Interior Cleaning	3-2
Exterior Cleaning	3-2
Cleaning and Replacing the Fan Filter	3-3

Appendix A

Specifications

Appendix B

Pinouts

Appendix C

Technical Support and Professional Services

Glossary

Index

About This Manual

The *NI PXI-1031/PXI-1031DC User Manual* contains information about installing, configuring, using, and maintaining the NI PXI-1031 and PXI-1031DC chassis.

Conventions

The following conventions are used in this manual:

»

The » symbol leads you through nested menu items and dialog box options to a final action. The sequence **File»Page Setup»Options** directs you to pull down the **File** menu, select the **Page Setup** item, and select **Options** from the last dialog box.



This icon denotes a note, which alerts you to important information.



This icon denotes a caution, which advises you of precautions to take to avoid injury, data loss, or a system crash. When this symbol is marked on the product, refer to the *Read Me First: Safety and Radio-Frequency Interference* document, shipped with the product, for precautions to take.

bold

Bold text denotes items that you must select or click in the software, such as menu items and dialog box options. Bold text also denotes parameter names.

italic

Italic text denotes variables, emphasis, a cross-reference, a hardware label, or an introduction to a key concept. Italic text also denotes text that is a placeholder for a word or value that you must supply.

monospace

Text in this font denotes text or characters that you should enter from the keyboard, sections of code, programming examples, and syntax examples. This font is also used for the proper names of disk drives, paths, directories, programs, subprograms, subroutines, device names, functions, operations, variables, filenames, and extensions.

Related Documentation

The following documents contain information that you may find helpful as you read this manual:

- *NI PXI-1031DC DC Cable Kit Installation Guide*
- *CompactPCI Specification PICMG 2.0 R 3.0*
- *PXI Hardware Specification*
- *PXI Software Specification*
- *IEEE 1101.1-1991, IEEE Standard for Mechanical Core Specifications for Microcomputers Using IEC 603-2 Connectors*
- *IEEE 1101.10, IEEE Standard for Additional Mechanical Specifications for Microcomputers Using IEEE 1101.1 Equipment Practice*

Getting Started

This chapter describes the key features of the NI PXI-1031 and PXI-1031DC chassis, and lists the kit contents and optional equipment you can order from National Instruments.

Unpacking

Carefully inspect the shipping container and the chassis for damage. Check for visible damage to the metal work. Check to make sure all handles, hardware, and switches are undamaged. Inspect the inner chassis for any possible damage, debris, or detached components. If damage appears to have been caused during shipment, file a claim with the carrier. Retain the packing material for possible inspection and/or reshipment.

What You Need to Get Started

- NI PXI-1031 or NI PXI-1031DC chassis
- Filler panels
- Power cable, either:
 - AC power cable—refer to Table 1-1 for AC power cables
 - DC power cable
- NI PXI-1031/PXI-1031DC User Manual*
- Read Me First: Safety and Radio-Frequency Interference*
- Driver CD-ROM containing NI PXI chassis software
- Chassis number labels

Table 1-1. AC Power Cables

Power Cable	Reference Standards
Standard 120 V (USA)	NEMA 5-15
Switzerland 220 V	SEV
Australia 240 V	AS C112
Universal Euro 230 V	CEE (7), II, IV, VII IEC83
North America 240 V	NEMA 6-15
United Kingdom 230 V	BS 1363/IEC83
Japan 100 V	JIS C8303

If you are missing any of the items listed in Table 1-1, or if you have the incorrect AC power cable, contact National Instruments.

You have the option of powering the PXI-1031DC chassis with a DC power cable through the DC input connector on the rear panel of the chassis. Refer to Figure 1-3 for the location of the DC connector.

Key Features

The PXI-1031/PXI-1031DC combines a 4-slot PXI backplane with a structural design that has been optimized for maximum usability in a wide range of applications.

The key features of the chassis include the following:

- Accepts 3U PXI and CompactPCI (PICMG 2.0 R 3.0) modules
- 4-slot chassis with universal AC input, and automatic voltage/frequency ranging
- DC power input (PXI-1031DC only)
- On/Off (Standby) power switch on the front panel for easy access
- AUTO/HIGH temperature-controlled fan speed based on air-intake temperature to minimize audible noise
- (Optional) Carrying handle for portability
- Rack mountable

Chassis Description

Figure 1-1, Figure 1-2, and Figure 1-3 show the key features of the PXI-1031/PXI-1031DC chassis front and rear panels. Figure 1-1 shows the front view of the PXI-1031 (the PXI-1031DC front panel is identical except for the chassis name stenciled on the face plate). Figure 1-2 shows the rear view of the PXI-1031. Figure 1-3 shows the rear panel of the PXI-1031DC. Figure 1-4 shows the bottom of the chassis (both types of chassis will be identical on the bottom).

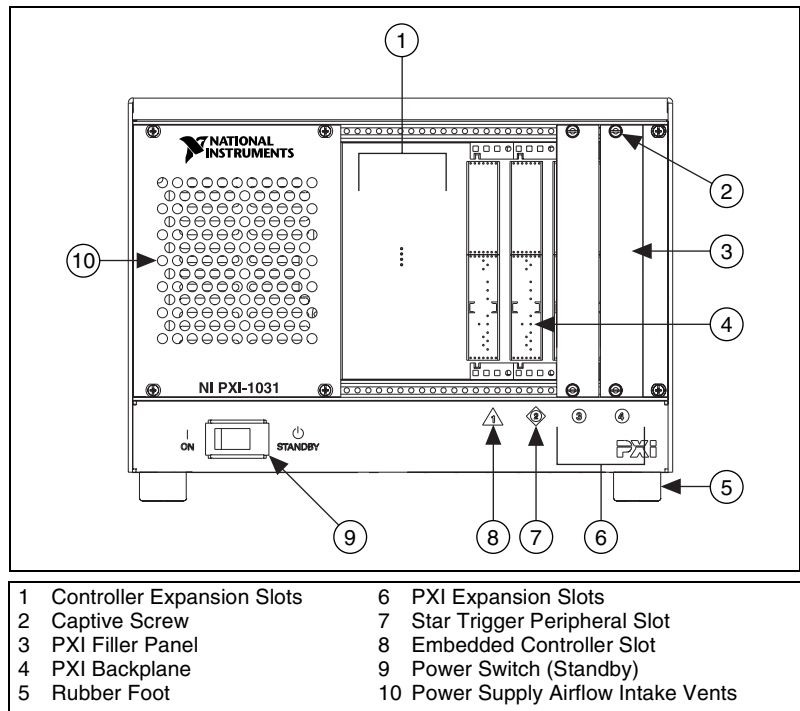


Figure 1-1. Front View of the PXI-1031 Chassis

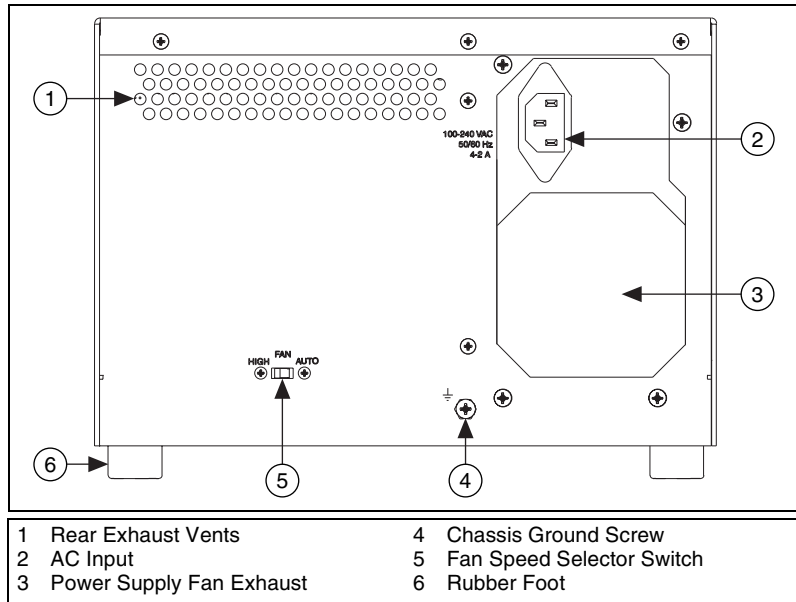


Figure 1-2. Rear View of the PXI-1031 Chassis

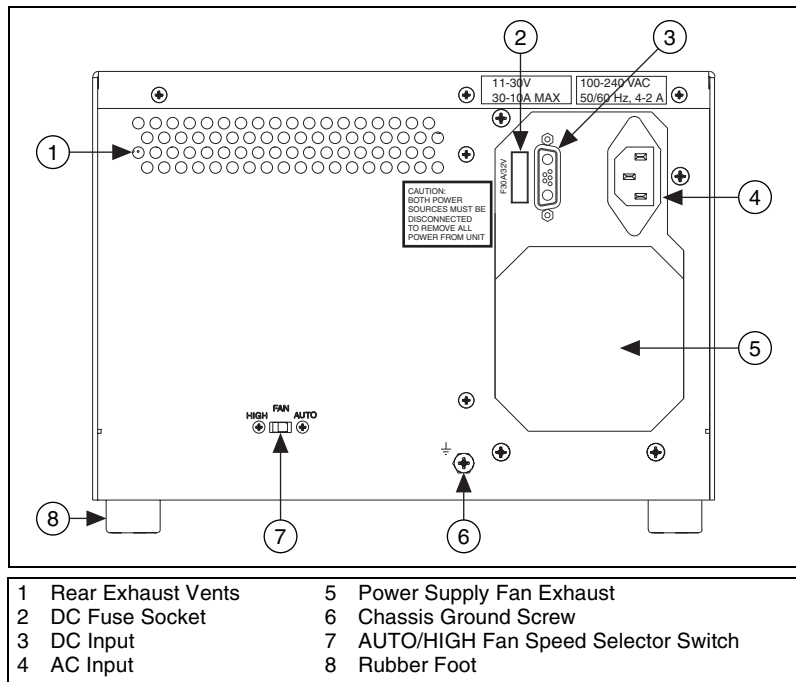


Figure 1-3. Rear View of the PXI-1031DC Chassis

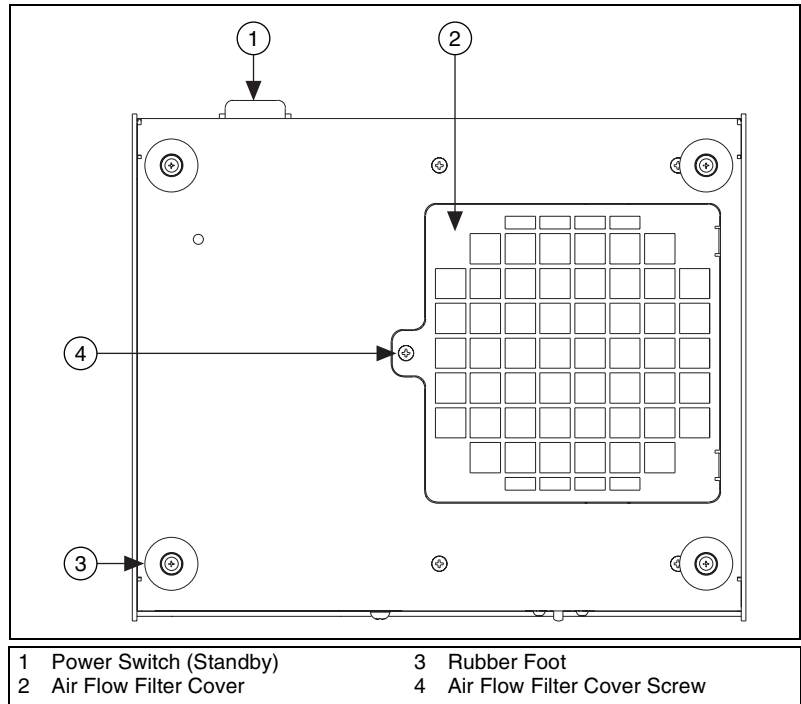


Figure 1-4. Bottom View of PXI-1031/PXI-1031DC Chassis

Optional Equipment

Contact National Instruments to order the following options for the PXI-1031/PXI-1031DC chassis.

EMC Filler Panels

Optional EMC filler panel kits are available from National Instruments.

Rack Mount Kits

A rack mount kit option is available for mounting the PXI-1031 or PXI-1031DC chassis into a 19 in. instrument cabinet.

Handle/Feet Kit

An optional side handle and rubber feet kit is available from National Instruments to provide a handle for portability.

DC Power Cable (PXI-1031DC Only)

An optional DC power cable is available from National Instruments to provide power through the DC input connector on the rear panel of the chassis.

PXI-1031/PXI-1031DC Backplane Overview

Interoperability with CompactPCI

The PXI-1031/PXI-1031DC backplane is interoperable with 5 V and universal PXI-compatible products and standard CompactPCI products. This is an important feature, because some PXI systems may require components that do not implement PXI-specific features. For example, you may want to use a standard CompactPCI network interface card in a PXI chassis.

The signals on the backplane P1 connectors meet the requirements of the CompactPCI specification for both peripheral and system modules. Refer to Appendix B, *Pinouts*, for pinout information.

The PXI-specific signals are on the backplane P2 connectors and are found only on those signal lines reserved or not used in the CompactPCI 64-bit specification. Therefore, all modules that meet the requirements of the CompactPCI 64-bit specification will function in the PXI-1031/PXI-1031DC. Refer to Appendix B, *Pinouts*, for pinout information.



Note The PXI-1031 backplane is 32-bit PCI. 64-bit CompactPCI cards will operate in 32-bit mode in this chassis.

The chassis backplane has +5 V V(I/O). Refer to the *CompactPCI Specification PICMG 2.0 R 3.0* for details regarding V(I/O).

System Controller Slot

The system controller slot is slot 1 of the chassis as defined by the PXI specification. It has three controller expansion slots for system controller modules that are wider than one slot. As defined in the PXI specification, these slots allow the controller to expand to the left to prevent the controller from using peripheral slots.

Star Trigger Slot

The star trigger (ST) slot is slot 2. This slot has dedicated equal-length trigger lines between slot 2 and peripheral slots 3 and 4 (refer to Figure 1-5). Slot 2 is intended for modules with ST functionality that can provide individual triggers to all other peripheral modules. However, if you do not require advanced trigger functionality, you can install any standard peripheral module in this slot.

The star trigger slot can also be used to provide a PXI_CLK10 signal to the backplane. For more information regarding PXI_CLK10, refer to the [System Reference Clock](#) section.

Peripheral Slots

There are three peripheral slots, including the star trigger slot.

Local Bus

The PXI backplane local bus is a daisy-chained bus that connects each peripheral slot with adjacent peripheral slots to the left and right (refer to Figure 1-5). For example, the right local bus of slot 2 connects to the left local bus of slot 3, and so on.

The left local bus signal lines on slot 2 are used for star trigger and do not connect to slot 1. The right local bus signal lines on slot 4 are not routed anywhere.

Each local bus is 13 lines wide and can pass analog signals up to 42 V between cards or provide a high-speed TTL side-band digital communication path that does not reduce the PXI bus bandwidth.

Initialization software uses the configuration information specific to adjacent peripheral modules to evaluate local bus compatibility.

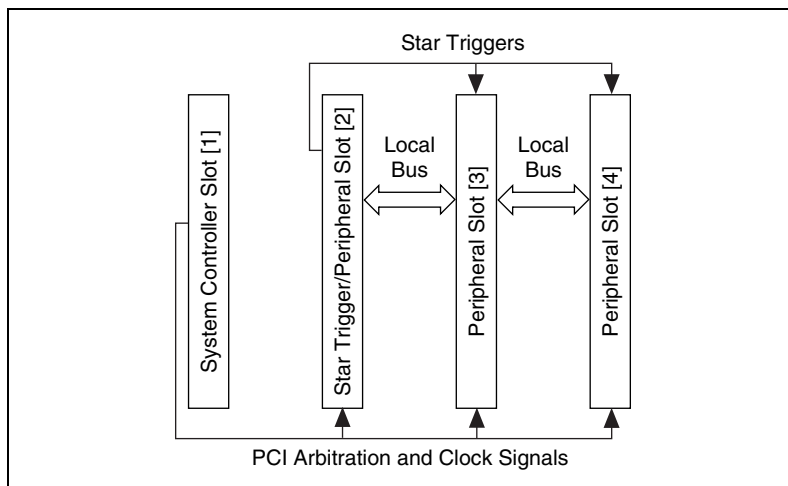


Figure 1-5. PXI Star Trigger and Local Bus Routing

Trigger Bus

All slots share eight PXI trigger lines. You can use these trigger lines in a variety of ways. For example, you can use triggers to synchronize the operation of several different PXI peripheral modules. In other applications, one module located in slot 2 can control carefully timed sequences of operations performed on other modules in the system. Modules can pass triggers to one another, allowing precisely timed responses to asynchronous external events the system is monitoring or controlling.

System Reference Clock

The PXI-1031/PXI-1031DC supplies the PXI 10 MHz system clock signal (PXI_CLK10) independently to each peripheral slot. An independent buffer (having a source impedance matched to the backplane and a skew of less than 250 ps between slots) drives the clock signal to each peripheral slot. You can use this common reference clock signal to synchronize multiple modules in a measurement or control system. You can drive PXI_CLK10 from an external source through the PXI_CLK10_IN pin on the P2 connector of the star trigger slot. Refer to Table B-4, [P2 \(J2\) Connector Pinout for the Star Trigger Slot](#). You must manually switch S2 on the chassis backplane to enable or disable routing an external clock to peripheral slots.

Installation and Configuration

This chapter describes how to install, configure, and use the PXI-1031 and PXI-1031DC chassis.

Before connecting the chassis to a power source, read this chapter and the *Read Me First: Safety and Radio-Frequency Interference* document included with your chassis.

Safety Information



Caution Before undertaking any troubleshooting, maintenance, or exploratory procedure, carefully read the following caution notices.

This equipment contains voltage hazardous to human life and safety, and is capable of inflicting personal injury.

- **Chassis Grounding**—The chassis requires a connection from the premise wire safety ground to the chassis ground. The earth safety ground must be connected during use of this equipment to minimize shock hazards. Refer to the [Connecting Safety Ground](#) section for instructions on connecting safety ground.
- **Live Circuits**—Operating personnel and service personnel *must not* remove protective covers when operating or servicing the chassis. Adjustments and service to internal components must be undertaken by qualified service technicians. During service of this product, the mains connector to the premise wiring must be disconnected. Dangerous voltages may be present under certain conditions; use extreme caution.
- **Explosive Atmosphere**—Do *not* operate the chassis in conditions where flammable gases are present. Under such conditions, this equipment is unsafe and may ignite the gases or gas fumes.

- **Part Replacement**—Only service this equipment with parts that are exact replacements, both electrically and mechanically. Contact National Instruments for replacement part information. Installation of parts with those that are not direct replacements may cause harm to personnel operating the chassis. Furthermore, damage or fire may occur if replacement parts are unsuitable.
- **Modification**—Do *not* modify any part of the chassis from its original condition. Unsuitable modifications may result in safety hazards.

Chassis Cooling Considerations

The chassis is designed to operate on a bench or in an instrument rack. Determine how you want to use the chassis and follow the appropriate installation instructions.

Providing Adequate Clearance

Apertures in the top, bottom, front, rear, and along the right side of the chassis facilitate power supply and module cooling. Air enters through filters and fan inlet in the bottom of the chassis for module cooling. It then exits through the upper sections at the right side, back, and through the top, as shown in Figure 2-1. Air cooling the power supply enters the front of the chassis, which is shown in Figure 1-1, *Front View of the PXI-1031 Chassis*, then exits through the rear of the chassis, which is shown in Figure 1-2, *Rear View of the PXI-1031 Chassis*, and Figure 1-3, *Rear View of the PXI-1031DC Chassis*. Place the chassis on a bench top or in an instrument rack so that the fans (air inlets) and the air outlet apertures along the right side, the top, and the back of the chassis have adequate ventilation. Provide at least 44.5 mm (1.75 in.) clearance above, behind, and on the sides of the unit for adequate venting. High-power applications may require additional clearance.

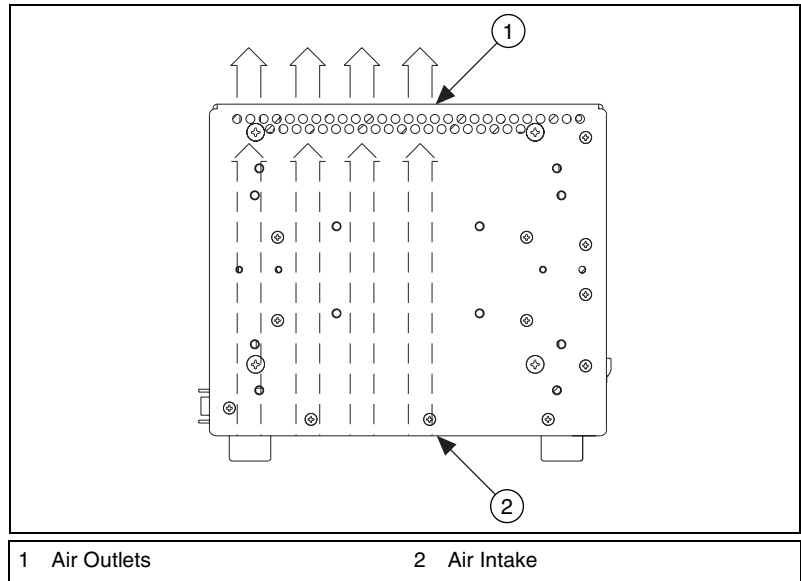


Figure 2-1. PXI-1031/PXI-1031DC Module Cooling Airflow Side View

Install the chassis so that you can easily access the bottom panel. This simplifies replacing the air filters, if necessary.

Setting Fan Speed

The AUTO/HIGH fan-speed selector switch is on the rear panel of the PXI-1031 and PXI-1031DC. Refer to Figure 1-2, *Rear View of the PXI-1031 Chassis*, or Figure 1-3, *Rear View of the PXI-1031DC Chassis*, to locate the fan-speed selector switch. Select HIGH for maximum cooling performance (recommended) or AUTO for quieter operation. The fan speed is determined by chassis intake air temperature when set to AUTO.

Installing Filler Panels

To improve module cooling performance, install filler panels (provided with the chassis) in unused or empty slots. Secure with the captive mounting screws provided.

Rack Mounting

Rack mount applications require the optional rack mount kits available from National Instruments. Refer to Figure A-3, [PXI-1031/PXI-1031DC Rack Mount Kit Components](#), and the instructions supplied with the rack mount kits to install your chassis in an instrument rack.



Note You may want to remove the feet from the chassis when rack mounting. To do so, remove the screws holding the feet in place.

Connecting Safety Ground



Caution The PXI-1031/PXI-1031DC chassis is designed with a three-position inlet that connects the cord set ground line to the chassis ground. To minimize shock hazard, make sure the electrical power outlet you use to power the chassis has an appropriate earth safety ground.

For DC powered applications, or if your power outlet does not have an appropriate ground connection, you must connect the premise safety ground to the chassis grounding screw located on the rear panel. Refer to Figure 1-2, [Rear View of the PXI-1031 Chassis](#), or Figure 1-3, [Rear View of the PXI-1031DC Chassis](#), to locate the chassis grounding screw. Complete the following steps to connect the safety ground.

1. Connect a 10 AWG (2.6 mm) wire to the chassis grounding screw using a grounding lug. The wire must have green insulation with a yellow stripe or must be noninsulated (bare).
2. Attach the opposite end of the wire to permanent earth ground using toothed washers or a toothed lug.

Connecting to Power Source



Cautions Do *not* install modules prior to performing the following power-on test.

To completely remove power, you *must* disconnect the AC power cable (and DC power, if applicable).

If both AC and DC power cables are connected, the chassis will draw power from both sources.

Connecting to an AC Power Source

Attach input power through the rear AC inlet using the appropriate AC power cable supplied. Refer to Figure 1-2, *Rear View of the PXI-1031 Chassis*, or to Figure 1-3, *Rear View of the PXI-1031DC Chassis*, to locate the AC inlet.

The power switch allows you to power on the chassis or place it in standby mode. Press the power switch to the On position (if not already on). Observe that all fans become operational.

Connecting to a DC Power Source (PXI-1031DC Only)

Table 2-1. DC Power Requirements

Electrical Element	Requirement
Voltage	11–30 VDC
Max. DC Input Current	30 amps

For full chassis power, the DC source must be capable of providing a minimum of 300 watts of continuous power per feed pair to the P1 connector on the PXI-1031DC power supply.

DC Connector

Figure 2-2 shows the DC connector (P1) that appears on the rear panel of the PXI-1031DC power supply.

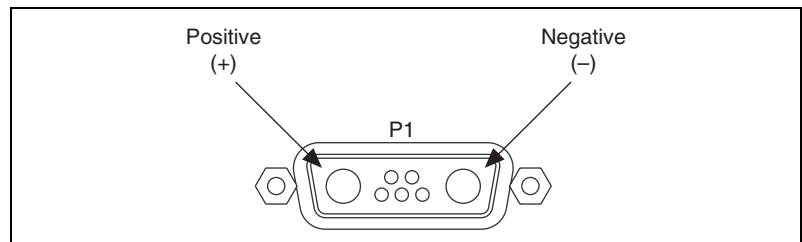


Figure 2-2. The P1 DC Input Connector

To build a custom DC cable, be sure to note the positive (+) and negative (–) terminals shown in Figure 2-2. Use the following components or their equivalents to mate to the P1 port:

- Positronic connector, part number CBD7W2F0000
- Positronic hood, part number D15000GE0
- Two Positronic contacts, part number FS4008D (choice of solder cup or crimp terminals)
- Use of UL listed AWG #10 wire is recommended (maximum length: 216 in.)

Install an F30A 500 VDC/600 VAC, 1.5 in. × .41 in. (10 mm × 38 mm) Midget fast-acting fuse on the positive (+) wire of the custom cable as close to the power source as practical.

- A Ferraz-Shawmut FEB-81-81 fuse holder, with Ferraz-Shawmut FSB1 insulating boots, and an ATM30 fuse is recommended.

Refer to the *NI PXI-1031DC DC Cable Kit Installation Guide* for information on fuse installation.



Note You can purchase an optional DC cable from National Instruments that incorporates an in-line fuse and the mating connector for the P1 port.

Installing a PXI Controller

This section contains general instructions for installing a PXI controller in the chassis. Refer to your PXI controller user manual for specific instructions and cautions. Complete the following steps to install a controller.

1. Connect the AC or DC power source to the PXI chassis before installing the controller. The AC power cord grounds the chassis and protects it from electrical damage while you install the controller. For DC powered applications, make sure the chassis is properly grounded through the chassis ground screw. Make sure the chassis power switch is in the Off (Standby) position.



Caution To protect both yourself and the chassis from electrical hazards, leave the chassis off until you finish installing the controller.

2. Install the controller into the system controller slot (slot 1, indicated by the red card guides) by first placing the controller edges into the front controller guides (top and bottom). Slide the controller to the rear of the chassis, making sure that the injector/ejector handle is pushed down as shown in Figure 2-3.

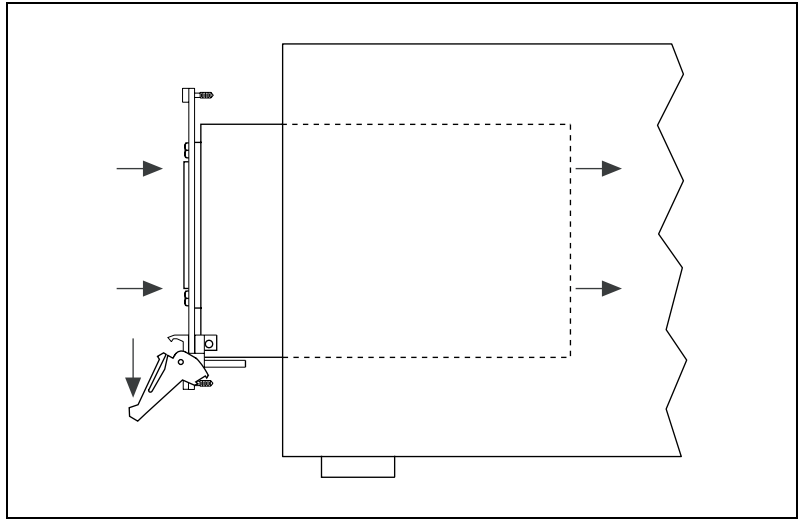


Figure 2-3. Injector/Ejector Handle Position during Controller or Peripheral Module Insertion

3. When you begin to feel resistance, push up on the injector/ejector handle to inject the controller fully into the chassis frame. Secure the controller front panel to the chassis using the controller front-panel mounting screws.
4. Connect the keyboard, mouse, and monitor to the appropriate connectors. Connect devices to ports as required by your system configuration.
5. Power on the chassis. Verify that the controller boots. If the controller does not boot, refer to your controller user manual.

Figure 2-4 shows a PXI controller installed in the system controller slot of a PXI-1031/PXI-1031DC chassis. You can place CompactPCI or PXI modules in any other slot.

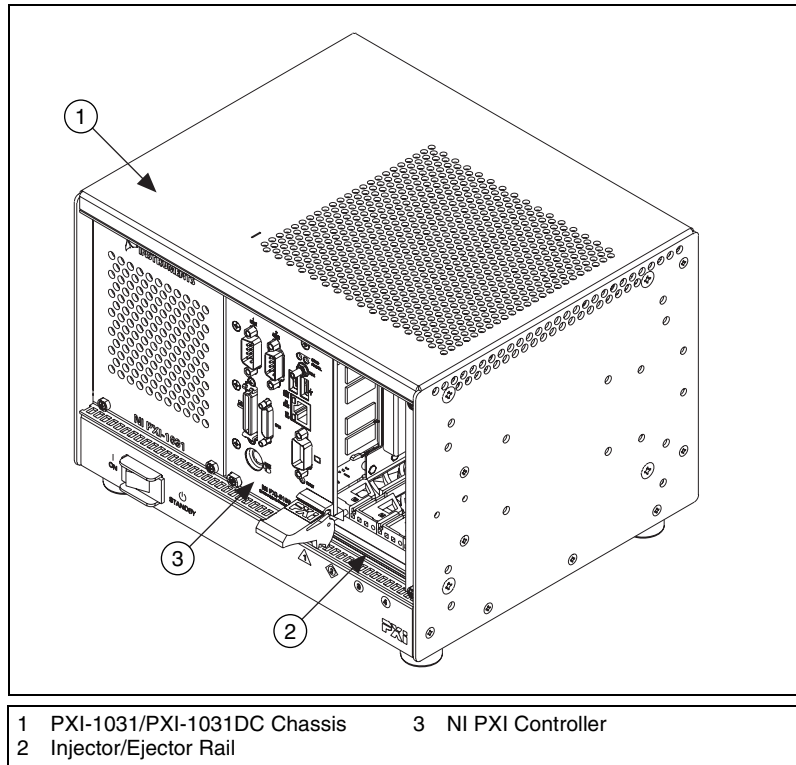


Figure 2-4. NI PXI Controller Installed in a PXI-1031/PXI-1031DC Chassis

Installing PXI Modules

Complete the following steps to install a module.

1. Make sure the power switch is in the Off (Standby) position.
2. Install a module into a chassis slot by first placing the module card edges into the front module guides (top and bottom), as shown in Figure 2-5. Slide the module to the rear of the chassis, making sure that the injector/ejector handle is pushed down as shown in Figure 2-3.
3. When you begin to feel resistance, push up on the injector/ejector handle to fully inject the module into the chassis frame. Secure the module front panel to the chassis using the module front-panel mounting screws.

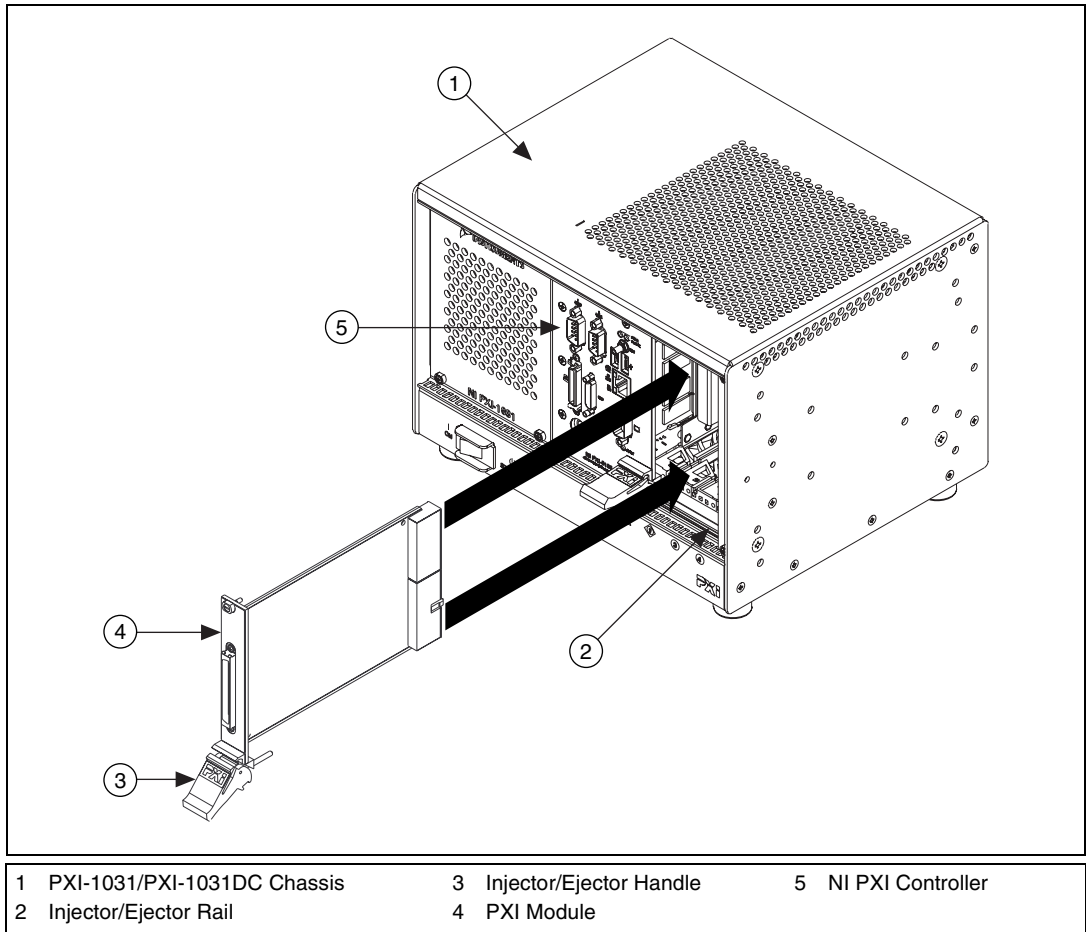


Figure 2-5. Installing PXI or CompactPCI Modules

PXI System Configuration with MAX

Configuration of the PXI system is handled through Measurement & Automation Explorer (MAX), included on the NI Driver CD-ROM packaged with your kit. MAX creates the `pxisys.ini` file that defines the layout and parameters of your PXI system. After installing the software on the NI Driver CD-ROM, the MAX icon will be present on the desktop. The configuration steps for single or multiple chassis systems are the same.

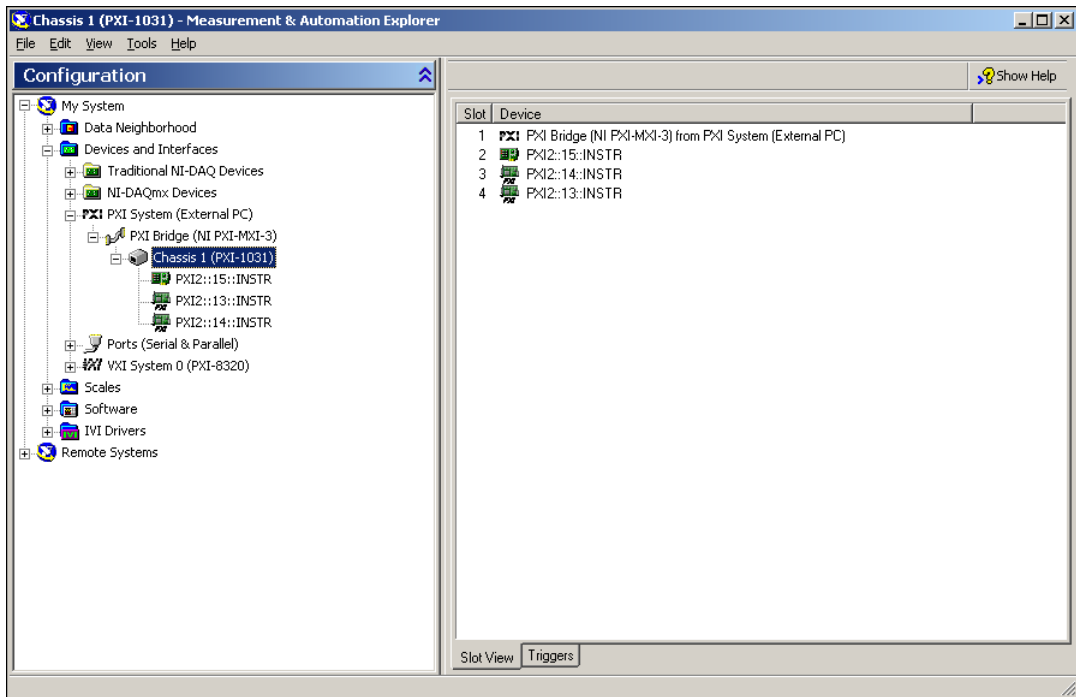


Figure 2-6. Chassis Configuration in MAX

Basic PXI System Configuration

Refer to Figure 2-6 while completing the following steps:

1. Launch MAX.
2. In the **Configuration** tree, click the **Devices and Interfaces** branch to expand it.
3. If the PXI system controller has not yet been configured, it will be labeled **PXI System (Unidentified)**. Right-click this entry to display the context menu and then select the appropriate controller model from the **Identify As** submenu.
4. Click the **PXI System** controller, and the chassis (or multiple chassis, in a multi-chassis configuration) will be listed below it. Identify each chassis by right-clicking its entry and then selecting the appropriate chassis model through the **Identify As** submenu. Further expanding the **PXI System** branch will show all of the devices in the system that can be recognized by NI-VISA. After your controller and all of your chassis have been identified, the required `pxisys.ini` file will be complete.

5. Apply the chassis number labels (shown in Figure 2-7) included with your kit to each chassis in your PXI system, and write in the chassis number accordingly in the white space.



Figure 2-7. Chassis Number Label

Trigger Configuration in MAX

Each chassis has one or more trigger buses, each with eight lines numbered 0 through 7 that can be reserved and routed statically or dynamically. Static reservation “pre-allocates” a trigger line to prevent its configuration by a user program. Dynamic reservation/routing/deallocation is performed *on the fly* within a user program based upon National Instruments APIs such as NI-DAQmx. Static reservation of trigger lines can be implemented by the user in MAX through the **Triggers** tab. Reserved trigger lines will not be used by PXI modules dynamically configured by programs such as NI-DAQmx. This prevents the instruments from double-driving the trigger lines, possibly damaging devices in the chassis.

Complete the following steps to reserve these trigger lines in MAX.

1. In the **Configuration** tree, click the PXI chassis branch you want to configure.
2. Click the **Triggers** tab at the bottom of the right-hand pane.
3. Select which trigger lines you want to statically reserve.
4. Click the **Apply** button.



Note For more information about routing and reserving PXI triggers refer to KnowledgeBase **3TJDOND8** at ni.com/support.

Using System Configuration and Initialization Files

The PXI specification allows many combinations of PXI chassis and system modules. To assist system integrators, the manufacturers of PXI chassis and system modules must document the capabilities of their products. The minimum documentation requirements are contained in `.ini` files, which consist of ASCII text. System integrators, configuration utilities, and device drivers can use these `.ini` files.

The capability documentation for the PXI-1031/PXI-1031DC chassis is contained in the `chassis.ini` file on the software media that comes with the chassis. The information in this file is combined with information about the system controller to create a single system initialization file called `pxisys.ini` (PXI System Initialization). The system controller manufacturer either provides a `pxisys.ini` file for the particular chassis model that contains the system controller or provides a utility that can read an arbitrary `chassis.ini` file and generate the corresponding `pxisys.ini` file. System controllers from National Instruments use MAX to generate the `pxisys.ini` file from the `chassis.ini` file.

Device drivers and other utility software read the `pxisys.ini` file to obtain system information. Device drivers should have no need to directly read the `chassis.ini` file. For detailed information regarding initialization files, refer to the PXI specification at www.pxisa.org.

Maintenance

This chapter describes basic maintenance procedures you can perform on the PXI-1031 and PXI-1031DC chassis.



Caution Disconnect the power cables prior to servicing the chassis.

DC Fuse Replacement (PXI-1031DC Only)

The PXI-1031DC is protected against over-current by a 30 A fuse on the rear of the chassis, as shown in Figure 1-3, *Rear View of the PXI-1031DC Chassis*. The fuse should only be replaced with a Wickmann 162.6385.530, Littlefuse 257 030, or equivalent. To remove the fuse, pull *straight out* from the chassis.

Service Interval

Clean the chassis fan filter at a maximum interval of six months. Depending on the amount of use and ambient dust levels in the operating environment, the filter may require more frequent cleaning.

Clean dust from the chassis exterior (and interior) as needed, based on the operating environment. Periodic cleaning increases reliability.

Preparation

The information in this chapter is designed for use by qualified service personnel. Read the *Read Me First: Safety and Radio-Frequency Interference* document included with your kit before attempting any procedures in this chapter.



Caution Many components within the chassis are susceptible to static discharge damage. Service the chassis only in a static-free environment. Observe standard handling precautions for static-sensitive devices while servicing the chassis. Always wear a grounded wrist strap or equivalent while servicing the chassis.

Cleaning



Caution Always disconnect the AC power cable (and the DC power cable, if you are working with a PXI-1031DC chassis) before cleaning or servicing the chassis.

Cleaning procedures consist of exterior and interior cleaning of the chassis and cleaning the fan filter. Refer to your module user documentation for information on cleaning individual CompactPCI or PXI modules.

Interior Cleaning

Use a dry, low-velocity stream of air to clean the interior of the chassis.
Use a soft-bristle brush for cleaning around components.

Exterior Cleaning



Cautions Avoid getting moisture inside the chassis during exterior cleaning, especially through the top vents. Use just enough moisture to dampen the cloth.

Do *not* wash the front- or rear-panel connectors or switches. Cover these components while cleaning the chassis.

Do *not* use harsh chemical cleaning agents; they may damage the chassis. Avoid chemicals that contain benzene, toluene, xylene, acetone, or similar solvents.

Clean the exterior surfaces of the chassis with a dry lint-free cloth or a soft-bristle brush. If any dirt remains, wipe with a cloth moistened in a mild soap solution. Remove any soap residue by wiping with a cloth moistened with clear water. Do *not* use abrasive compounds on any part of the chassis.

Cleaning and Replacing the Fan Filter

A dirty fan filter can dramatically reduce the cooling performance of the chassis. Clean the filter whenever it becomes visibly dirty. You can easily remove the chassis air filter from the bottom of the chassis by removing the filter cover. To remove the filter cover, loosen the retainer screw. The filter cover is shown in Figure 1-4, *Bottom View of PXI-1031/PXI-1031DC Chassis*.

Clean the fan filter by washing it in a mild soap solution and then vacuuming or blowing air through it. Rinse the filter with water and allow it to dry before reinstalling it on the chassis.

You can replace the fan filter with part number 150097 from The Filter Factory, Santa Ynez, CA 93460, if necessary.

Specifications



Caution If the PXI-1031/PXI-1031DC chassis is used in a manner inconsistent with the instructions or specifications listed by National Instruments, the protective features of the chassis may be impaired.



Note Specifications are subject to change without notice.

This appendix contains specifications for the PXI-1031 and PXI-1031DC chassis.

PXI-1031 Chassis

Electrical

AC Input

Input voltage range.....	100–240 VAC
Operating voltage range ¹	90–264 VAC
Input frequency	50/60 Hz
Operating frequency range ¹	47–63 Hz
Input current rating.....	4–2 A
Efficiency	>70% at full load, normal input voltage
Power disconnect	The AC power cable provides main power disconnect. The front-panel power switch controls the internal chassis power supply that provides DC power to the CompactPCI/PXI backplane.

¹ The operating range is guaranteed by design.

DC Output

DC current capacity (I_{MP})

Voltage	0–50 °C
+3.3 V	12 A
+5 V	17 A
+12 V	2 A
–12 V	0.8 A

Over-current protectionAll outputs protected from short circuit

Over-voltage protection

Over-voltage at	Active Range	
	Minimum	Maximum
+3.3 V	3.76 V	4.3 V
+5 V	5.74 V	7.0 V
+12 V	13.4 V	15.6 V

Chassis Cooling

Per slot cooling capacity25 W

Slot airflow directionP1 to P2, bottom of module to top of module

Module cooling

SystemForced air circulation (positive pressurization) through a High Flow fan with HIGH/AUTO speed selector

IntakeBottom of chassis

ExhaustAlong rear, right side, and top of chassis

Power supply cooling	
System.....	Forced air circulation through integrated fan
Intake	Front side of chassis
Exhaust.....	Rear side of chassis

Environmental

Maximum altitude 2,000 m (800 mbar)
(at 25 °C ambient)

Measurement Category II

Pollution Degree 2

For indoor use only.

Operating Environment

Ambient temperature range..... 0 to 50 °C (Tested in accordance with IEC-60068-2-1 and IEC-60068-2-2. Meets MIL-PRF-28800F Class 3 low temperature limit and high temperature limit.)

Relative humidity range 20 to 80%, noncondensing
(Tested in accordance with IEC-60068-2-56.)

Storage Environment

Ambient temperature range..... –20 to 70 °C (Tested in accordance with IEC-60068-2-1 and IEC-60068-2-2. Meets MIL-PRF-28800F Class 3 limits.)

Relative humidity range 10 to 95%, noncondensing
(Tested in accordance with IEC-60068-2-56.)

Shock and Vibration

Operational shock30 g peak, half-sine, 11 ms pulse
(Tested in accordance with
IEC-60068-2-27. Meets
MIL-PRF-28800F Class 2 limits.)

Random Vibration

Operating5 to 500 Hz, 0.3 g_{rms}
Nonoperating5 to 500 Hz, 2.4 g_{rms}
(Tested in accordance
with IEC-60068-2-64.
Nonoperating test profile
exceeds the requirements of
MIL-PRF-28800F, Class 3.)

Acoustic Emissions

Sound Pressure Level (at Operator Position)

(Tested in accordance with ISO 7779. Meets MIL-PRF-28800F requirements.)

PXI-1031

Auto fan (at 25 °C ambient)35.0 dBA

High fan51.7 dBA

Sound Power

(Tested in accordance with ISO 7779.)

PXI-1031

Auto fan (at 25 °C ambient)43.4 dBA

High fan59.5 dBA

PXI-1031DC Chassis

Electrical

AC Input

Input voltage range.....	100–120/200–240 VAC
Operating voltage range ¹	90–132/180–264 VAC
Input frequency	50/60 Hz
Operating frequency range ¹	47–63 Hz
Input current rating.....	4–2 A
Over-current protection.....	6.3 A fuse in power supply (no user-serviceable components inside chassis)
Efficiency	65% minimum
Power disconnect	The AC power cable provides main power disconnect. The front-panel power switch controls the internal chassis power supply that provides DC power to the CompactPCI/PXI backplane.

DC Input

Input voltage range.....	11–30 VDC
Input current rating.....	30 A maximum
Efficiency	65% typical
Power disconnect	The DC power cable provides main power disconnect. The front-panel power switch controls the internal chassis power supply that provides DC power to the CompactPCI/PXI backplane.

¹ The operating range is guaranteed by design.

DC Output

DC current capacity (I_{MP})

Voltage	0–50 °C
+3.3 V	12 A
+5 V	17 A
+12 V	2 A
–12 V	0.8 A



Notes The output power is derated $-5 \text{ W/}^\circ\text{C}$ above $45 \text{ }^\circ\text{C}$.

The combined loading on +5 VDC and +3.3 VDC must not exceed 112 W.

For DC powered applications at 11 VDC input, the combined loading on +5 VDC, +3.3 VDC, +12 VDC, and –12 VDC must not exceed 137 W. At 12.3 VDC or higher input, the combined loading must not exceed 145.6 W.

For AC powered applications, the combined loading must not exceed 145.6 W.

Overcurrent protection.....All outputs protected from short circuit and overload

Overvoltage protectionAll outputs protected from overvoltage. Cycle the primary power and front power switch to restart.

Chassis Cooling

Per slot cooling capacity.....25 W

Slot airflow directionP1 to P2, bottom of module to top of module

Module cooling

SystemForced air circulation (positive pressurization) through a High Flow fan with HIGH/AUTO speed selector

Intake	Bottom of chassis
Exhaust.....	Along rear, right side, and top of chassis
Power supply cooling	
System.....	Forced air circulation through integrated fan
Intake	Front side of chassis
Exhaust.....	Rear side of chassis

Environmental

Operating location.....	Indoor use
Maximum altitude	2,000 m
Installation Category	II
Pollution Degree	2

Operating Environment

Ambient temperature range.....	0 to 50 °C (Tested in accordance with IEC-60068-2-1 and IEC-60068-2-2.)
Relative humidity range	10 to 90%, noncondensing (Tested in accordance with IEC-60068-2-56.)

Storage Environment

Ambient temperature range.....	-20 to 70 °C (Tested in accordance with IEC-60068-2-1 and IEC-60068-2-2.)
Relative humidity range	5 to 95%, noncondensing (Tested in accordance with IEC-60068-2-56.)

Shock and Vibration

Operational shock30 g peak, half-sine, 11 ms pulse
(Tested in accordance with IEC-60068-2-27. Test profile developed in accordance with MIL-PRF-28800F.)

Random Vibration

Operating5 to 500 Hz, 0.3 g_{rms}

Nonoperating5 to 500 Hz, 2.4 g_{rms}
(Tested in accordance with IEC-60068-2-64. Nonoperating test profile exceeds the requirements of MIL-PRF-28800F, Class 3.)

Acoustic Emissions

Sound Pressure Level (at Operator Position)

(Tested in accordance with ISO 7779.)

PXI-1031DC

Auto fan (at 25 °C ambient)45.5 dBA

High fan49.4 dBA

Sound Power

(Tested in accordance with ISO 7779.)

PXI-1031DC

Auto fan (at 25 °C ambient)54.3 dBA

High fan58.2 dBA

Common Specifications

Safety

This product is designed to meet the requirements of the following standards of safety for electrical equipment for measurement, control, and laboratory use:

- EN 61010-1, IEC 61010-1
- UL 61010-1, CSA 61010-1



Note For UL and other safety certifications, refer to the product label, or visit ni.com/certification, search by model number or product line, and click the appropriate link in the Certification column.

Electromagnetic Compatibility

This product is designed to meet the requirements of the following standards of EMC for electrical equipment for measurement, control, and laboratory use:

- EN 61326 EMC requirements; Minimum Immunity
- EN 55011 Emissions; Group 1, Class A
- CE, C-Tick, ICES, and FCC Part 15 Emissions; Class A



Note For EMC compliance, operate this device according to printed documentation.

CE Compliance

This product meets the essential requirements of applicable European Directives, as amended for CE marking, as follows:

- 73/23/EEC; Low-Voltage Directive (safety)
- 89/336/EEC; Electromagnetic Compatibility Directive (EMC)



Note Refer to the Declaration of Conformity (DoC) for this product for any additional regulatory compliance information. To obtain the DoC for this product, visit ni.com/certification, search by model number or product line, and click the appropriate link in the Certification column.

Waste Electrical and Electronic Equipment (WEEE)



EU Customers At the end of their life cycle, all products *must* be sent to a WEEE recycling center. For more information about WEEE recycling centers and National Instruments WEEE initiatives, visit ni.com/environment/weee.htm.

Backplane

Size	3U-sized; one system slot (with three system expansion slots) and three peripheral slots. Compliant with IEEE 1101.10 mechanical packaging. <i>PXI Hardware Specification</i> , Revision 2.2 compliant. Accepts both PXI and CompactPCI 3U modules.
V(I/O) ¹	+5 V
Backplane bare-board material	UL 94 V-0 recognized
Backplane connectors	Conform to IEC 917 and IEC 1076-4-101, and are UL 94 V-0 rated

10 MHz System Reference Clock (10 MHz REF)

Maximum clock skew between slots.....	250 ps
Built-in 10 MHz clock Accuracy	±25 ppm (guaranteed over the operating temperature range)

¹ V(I/O) is connected to the +5 V DC power plane, so the same specifications apply to V(I/O) and +5 V.

Mechanical

Overall dimensions (standard chassis)

Height..... 177 mm (6.97 in.)



Note 12.7 mm (0.50 in.) is added to height when feet are installed.

Width 257.1 mm (10.12 in.)

Depth..... 212.8 mm (8.38 in.)

Weight..... 5 kg (11.0 lbs)

Chassis materials..... Sheet Aluminum,
Extruded Aluminum,
Cold Rolled Steel, Nylon

Finish..... Clear Chromate Conversion
Coat on Aluminum
Electrodeposited Nickel Plate
on Cold Rolled Steel
Polyester Urethane Powder Paint

Figure A-1 and Figure A-2 show the PXI-1031/PXI-1031DC dimensions. The holes shown are for the installation of the optional rack-mount kits as shown in Figure A-3. Notice that the front and rear rack mounting holes (size M4) are symmetrical.

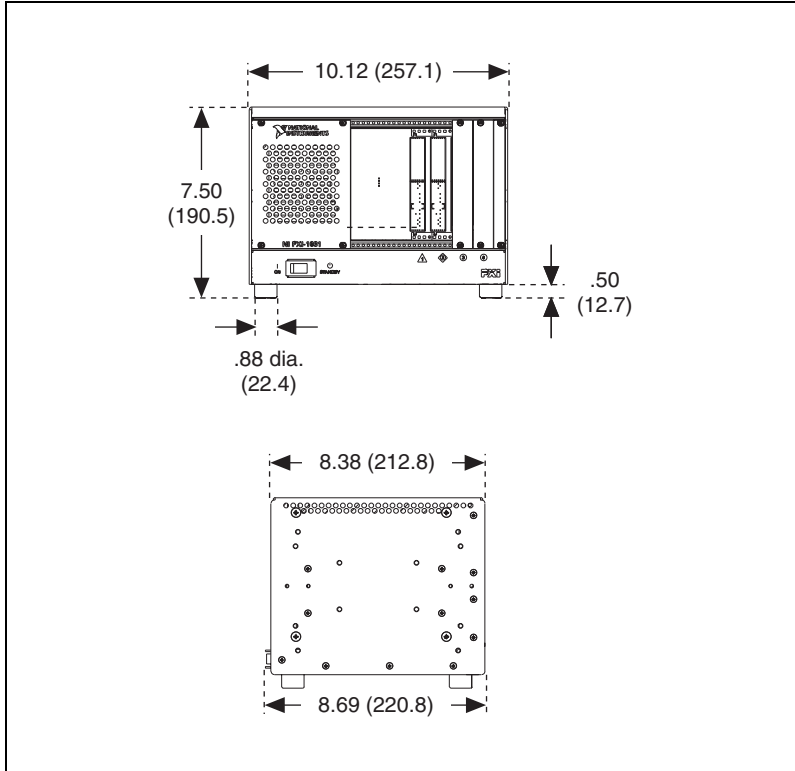


Figure A-1. PXI-1031/PXI-1031DC Dimensions (Front and Side) in Inches (mm)

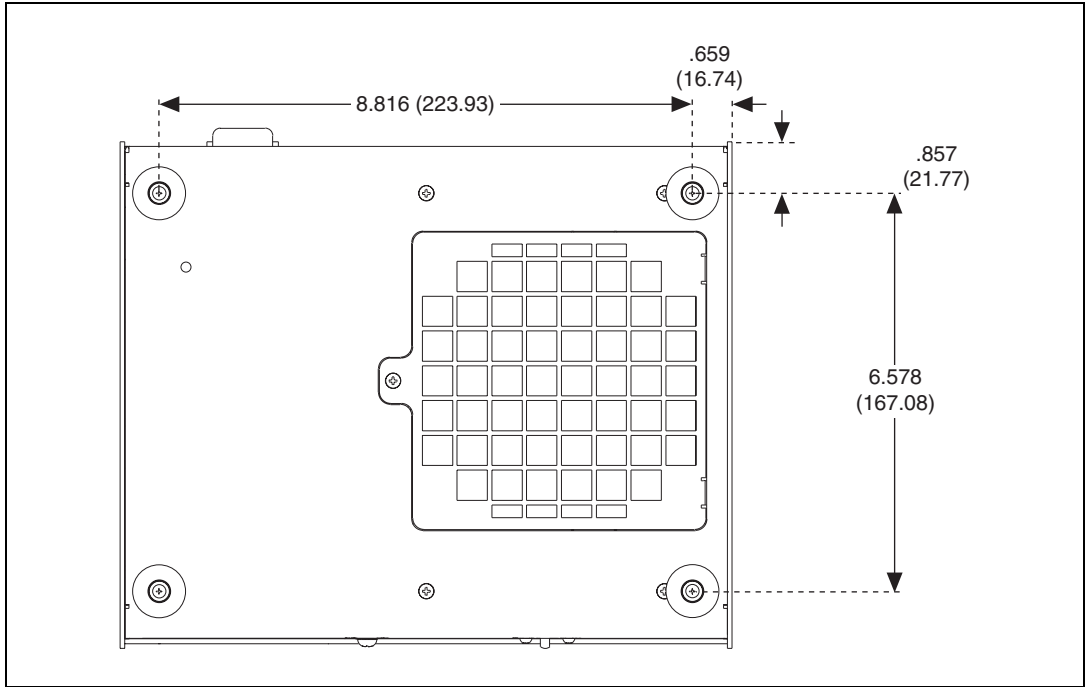


Figure A-2. PXI-1031/PXI-1031DC Dimensions (Bottom) in Inches (mm)

Figure A-3 shows the PXI-1031/PXI-1031DC rack mount kit components.

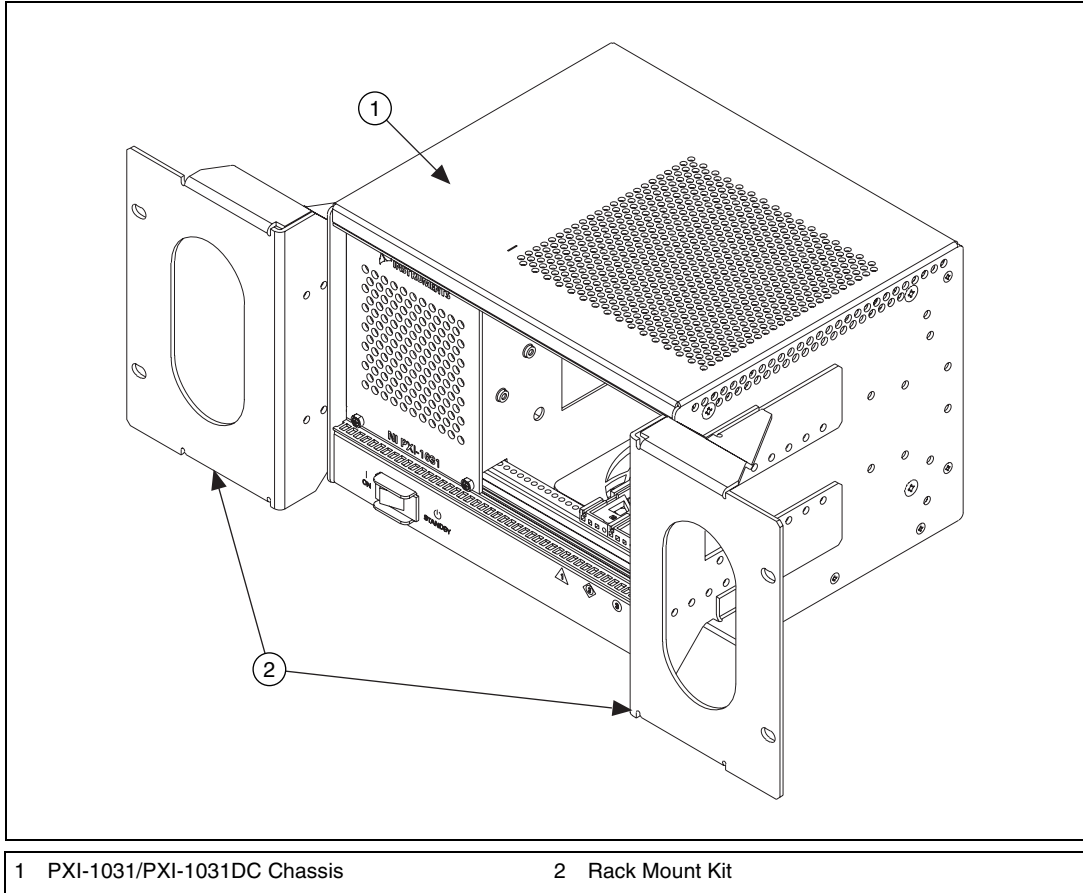


Figure A-3. PXI-1031/PXI-1031DC Rack Mount Kit Components

Pinouts

This appendix describes the P1 and P2 connector pinouts for the PXI-1031/PXI-1031DC backplane.

Table B-1 shows the P1 (J1) connector pinout for the System Controller slot.

Table B-2 shows the P2 (J2) connector pinout for the System Controller slot.

Table B-3 shows the P1 (J1) connector pinout for the star trigger slot.

Table B-4 shows the P2 (J2) connector pinout for the star trigger slot.

Table B-5 shows the P1 (J1) connector pinout for the peripheral slots.

Table B-6 shows the P2 (J2) connector pinout for the peripheral slots.



Note PXI signals are shown in bold.

Table B-1. P1 (J1) Connector Pinout for the System Controller Slot

Pin	Z	A	B	C	D	E	F
25	GND	5V	REQ64#	ENUM#	3.3V	5V	GND
24	GND	AD[1]	5V	V(I/O)	AD[0]	ACK64#	GND
23	GND	3.3V	AD[4]	AD[3]	5V	AD[2]	GND
22	GND	AD[7]	GND	3.3V	AD[6]	AD[5]	GND
21	GND	3.3V	AD[9]	AD[8]	M66EN	C/BE[0]#	GND
20	GND	AD[12]	GND	V(I/O)	AD[11]	AD[10]	GND
19	GND	3.3V	AD[15]	AD[14]	GND	AD[13]	GND
18	GND	SERR#	GND	3.3V	PAR	C/BE[1]#	GND
17	GND	3.3V	SDONE	SBO#	GND	PERR#	GND
16	GND	DEVSEL#	GND	V(I/O)	STOP#	LOCK#	GND
15	GND	3.3V	FRAME#	IRDY#	GND	TRDY#	GND
12–14	Key Area						
11	GND	AD[18]	AD[17]	AD[16]	GND	C/BE[2]#	GND
10	GND	AD[21]	GND	3.3V	AD[20]	AD[19]	GND
9	GND	C/BE[3]#	IDSEL	AD[23]	GND	AD[22]	GND
8	GND	AD[26]	GND	V(I/O)	AD[25]	AD[24]	GND
7	GND	AD[30]	AD[29]	AD[28]	GND	AD[27]	GND
6	GND	REQ#	GND	3.3V	CLK	AD[31]	GND
5	GND	BRSVP1A5	BRSVP1B5	RST#	GND	GNT#	GND
4	GND	BRSVP1A4	GND	V(I/O)	INTP	INTS	GND
3	GND	INTA#	INTB#	INTC#	5V	INTD#	GND
2	GND	TCK	5V	TMS	TDO	TDI	GND
1	GND	5V	-12V	TRST#	+12V	5V	GND

Table B-2. P2 (J2) Connector Pinout for the System Controller Slot

Pin	Z	A	B	C	D	E	F
22	GND	GA4	GA3	GA2	GA1	GA0	GND
21	GND	CLK6	GND	RSV	RSV	RSV	GND
20	GND	CLK5	GND	RSV	GND	RSV	GND
19	GND	GND	GND	SMB_SDA	SMB_SCL	SMB_ALERT#	GND
18	GND	PXI_TRIG3	PXI_TRIG4	PXI_TRIG5	GND	PXI_TRIG6	GND
17	GND	PXI_TRIG2	GND	PRST#	REQ6#	GNT6#	GND
16	GND	PXI_TRIG1	PXI_TRIG0	DEG#	GND	PXI_TRIG7	GND
15	GND	PXI_BRSVA15	GND	FAL#	REQ5#	GNT5#	GND
14	GND	BP(I/O)	BP(I/O)	BP(I/O)	GND	BP(I/O)	GND
13	GND	BP(I/O)	GND	V(I/O)	BP(I/O)	BP(I/O)	GND
12	GND	BP(I/O)	BP(I/O)	BP(I/O)	GND	BP(I/O)	GND
11	GND	BP(I/O)	GND	V(I/O)	BP(I/O)	BP(I/O)	GND
10	GND	BP(I/O)	BP(I/O)	BP(I/O)	GND	BP(I/O)	GND
9	GND	BP(I/O)	GND	V(I/O)	BP(I/O)	BP(I/O)	GND
8	GND	BP(I/O)	BP(I/O)	BP(I/O)	GND	BP(I/O)	GND
7	GND	BP(I/O)	GND	V(I/O)	BP(I/O)	BP(I/O)	GND
6	GND	BP(I/O)	BP(I/O)	BP(I/O)	GND	BP(I/O)	GND
5	GND	BP(I/O)	64EN#	V(I/O)	BP(I/O)	BP(I/O)	GND
4	GND	V(I/O)	PXI_BRSVB4	BP(I/O)	GND	BP(I/O)	GND
3	GND	CLK4	GND	GNT3#	REQ4#	GNT4#	GND
2	GND	CLK2	CLK3	SYSEN#	GNT2#	REQ3#	GND
1	GND	CLK1	GND	REQ1#	GNT1#	REQ2#	GND

Table B-3. P1 (J1) Connector Pinout for the Star Trigger Slot

Pin	Z	A	B	C	D	E	F
25	GND	5V	REQ64#	ENUM#	3.3V	5V	GND
24	GND	AD[1]	5V	V(I/O)	AD[0]	ACK64#	GND
23	GND	3.3V	AD[4]	AD[3]	5V	AD[2]	GND
22	GND	AD[7]	GND	3.3V	AD[6]	AD[5]	GND
21	GND	3.3V	AD[9]	AD[8]	M66EN	C/BE[0]#	GND
20	GND	AD[12]	GND	V(I/O)	AD[11]	AD[10]	GND
19	GND	3.3V	AD[15]	AD[14]	GND	AD[13]	GND
18	GND	SERR#	GND	3.3V	PAR	C/BE[1]#	GND
17	GND	3.3V	SDONE	SBO#	GND	PERR#	GND
16	GND	DEVSEL#	GND	V(I/O)	STOP#	LOCK#	GND
15	GND	3.3V	FRAME#	IRDY#	GND	TRDY#	GND
12–14	Key Area						
11	GND	AD[18]	AD[17]	AD[16]	GND	C/BE[2]#	GND
10	GND	AD[21]	GND	3.3V	AD[20]	AD[19]	GND
9	GND	C/BE[3]#	IDSEL	AD[23]	GND	AD[22]	GND
8	GND	AD[26]	GND	V(I/O)	AD[25]	AD[24]	GND
7	GND	AD[30]	AD[29]	AD[28]	GND	AD[27]	GND
6	GND	REQ#	GND	3.3V	CLK	AD[31]	GND
5	GND	BRSVP1A5	BRSVP1B5	RST#	GND	GNT#	GND
4	GND	BRSVP1A4	GND	V(I/O)	INTP	INTS	GND
3	GND	INTA#	INTB#	INTC#	5V	INTD#	GND
2	GND	TCK	5V	TMS	TDO	TDI	GND
1	GND	5V	-12V	TRST#	+12V	5V	GND

Table B-4. P2 (J2) Connector Pinout for the Star Trigger Slot

Pin	Z	A	B	C	D	E	F
22	GND	GA4	GA3	GA2	GA1	GA0	GND
21	GND	PXI_LBR0	RSV	PXI_LBR1	PXI_LBR2	PXI_LBR3	GND
20	GND	PXI_LBR4	PXI_LBR5	PXI_STAR0	GND	PXI_STAR1	GND
19	GND	PXI_STAR2	RSV	PXI_STAR3	PXI_STAR4	PXI_STAR5	GND
18	GND	PXI_TRIG3	PXI_TRIG4	PXI_TRIG5	GND	PXI_TRIG6	GND
17	GND	PXI_TRIG2	GND	RSV	PXI_CLK10_IN	PXI_CLK10	GND
16	GND	PXI_TRIG1	PXI_TRIG0	RSV	GND	PXI_TRIG7	GND
15	GND	PXI_BRSVA15	GND	RSV	PXI_STAR6	PXI_LBR6	GND
14	GND	RSV	RSV	RSV	GND	RSV	GND
13	GND	RSV	GND	V(I/O)	RSV	RSV	GND
12	GND	RSV	RSV	RSV	GND	RSV	GND
11	GND	RSV	GND	V(I/O)	RSV	RSV	GND
10	GND	RSV	RSV	RSV	GND	RSV	GND
9	GND	RSV	GND	V(I/O)	RSV	RSV	GND
8	GND	RSV	RSV	RSV	GND	RSV	GND
7	GND	RSV	GND	V(I/O)	RSV	RSV	GND
6	GND	RSV	RSV	RSV	GND	RSV	GND
5	GND	RSV	64EN#	V(I/O)	RSV	RSV	GND
4	GND	V(I/O)	PXI_BRSVB4	RSV	GND	RSV	GND
3	GND	PXI_LBR7	GND	PXI_LBR8	PXI_LBR9	PXI_LBR10	GND
2	GND	PXI_LBR11	PXI_LBR12	UNC	PXI_STAR7	PXI_STAR8	GND
1	GND	PXI_STAR9	GND	PXI_STAR10	PXI_STAR11	PXI_STAR12	GND

Table B-5. P1 (J1) Connector Pinout for the Generic Peripheral Slot

Pin	Z	A	B	C	D	E	F
25	GND	5V	REQ64#	ENUM#	3.3V	5V	GND
24	GND	AD[1]	5V	V(I/O)	AD[0]	ACK64#	GND
23	GND	3.3V	AD[4]	AD[3]	5V	AD[2]	GND
22	GND	AD[7]	GND	3.3V	AD[6]	AD[5]	GND
21	GND	3.3V	AD[9]	AD[8]	M66EN	C/BE[0]#	GND
20	GND	AD[12]	GND	V(I/O)	AD[11]	AD[10]	GND
19	GND	3.3V	AD[15]	AD[14]	GND	AD[13]	GND
18	GND	SERR#	GND	3.3V	PAR	C/BE[1]#	GND
17	GND	3.3V	SDONE	SBO#	GND	PERR#	GND
16	GND	DEVSEL#	GND	V(I/O)	STOP#	LOCK#	GND
15	GND	3.3V	FRAME#	IRDY#	GND	TRDY#	GND
12–14	Key Area						
11	GND	AD[18]	AD[17]	AD[16]	GND	C/BE[2]#	GND
10	GND	AD[21]	GND	3.3V	AD[20]	AD[19]	GND
9	GND	C/BE[3]#	IDSEL	AD[23]	GND	AD[22]	GND
8	GND	AD[26]	GND	V(I/O)	AD[25]	AD[24]	GND
7	GND	AD[30]	AD[29]	AD[28]	GND	AD[27]	GND
6	GND	REQ#	GND	3.3V	CLK	AD[31]	GND
5	GND	BRSVP1A5	BRSVP1B5	RST#	GND	GNT#	GND
4	GND	BRSVP1A4	GND	V(I/O)	INTP	INTS	GND
3	GND	INTA#	INTB#	INTC#	5V	INTD#	GND
2	GND	TCK	5V	TMS	TDO	TDI	GND
1	GND	5V	-12V	TRST#	+12V	5V	GND

Table B-6. P2 (J2) Connector Pinout for the Generic Peripheral Slot

Pin	Z	A	B	C	D	E	F
22	GND	GA4	GA3	GA2	GA1	GA0	GND
21	GND	PXI_LBR0	RSV	PXI_LBR1	PXI_LBR2	PXI_LBR3	GND
20	GND	PXI_LBR4	PXI_LBR5	PXI_LBL0	GND	PXI_LBL1	GND
19	GND	PXI_LBL2	RSV	PXI_LBL3	PXI_LBL4	PXI_LBL5	GND
18	GND	PXI_TRIG3	PXI_TRIG4	PXI_TRIG5	GND	PXI_TRIG6	GND
17	GND	PXI_TRIG2	GND	RSV	PXI_STAR	PXI_CLK10	GND
16	GND	PXI_TRIG1	PXI_TRIG0	RSV	GND	PXI_TRIG7	GND
15	GND	PXI_BRSVA15	GND	RSV	PXI_LBL6	PXI_LBR6	GND
14	GND	RSV	RSV	RSV	GND	RSV	GND
13	GND	RSV	GND	V(I/O)	RSV	RSV	GND
12	GND	RSV	RSV	RSV	GND	RSV	GND
11	GND	RSV	GND	V(I/O)	RSV	RSV	GND
10	GND	RSV	RSV	RSV	GND	RSV	GND
9	GND	RSV	GND	V(I/O)	RSV	RSV	GND
8	GND	RSV	RSV	RSV	GND	RSV	GND
7	GND	RSV	GND	V(I/O)	RSV	RSV	GND
6	GND	RSV	RSV	RSV	GND	RSV	GND
5	GND	RSV	64EN#	V(I/O)	RSV	RSV	GND
4	GND	V(I/O)	PXI_BRSVB4	RSV	GND	RSV	GND
3	GND	PXI_LBR7	GND	PXI_LBR8	PXI_LBR9	PXI_LBR10	GND
2	GND	PXI_LBR11	PXI_LBR12	UNC	PXI_LBL7	PXI_LBL8	GND
1	GND	PXI_LBL9	GND	PXI_LBL10	PXI_LBL11	PXI_LBL12	GND



Technical Support and Professional Services

Visit the following sections of the National Instruments Web site at ni.com for technical support and professional services:

- **Support**—Online technical support resources at ni.com/support include the following:
 - **Self-Help Resources**—For answers and solutions, visit the award-winning National Instruments Web site for software drivers and updates, a searchable KnowledgeBase, product manuals, step-by-step troubleshooting wizards, thousands of example programs, tutorials, application notes, instrument drivers, and so on.
 - **Free Technical Support**—All registered users receive free Basic Service, which includes access to hundreds of Application Engineers worldwide in the NI Discussion Forums at ni.com/forums. National Instruments Application Engineers make sure every question receives an answer.

For information about other technical support options in your area, visit ni.com/services or contact your local office at ni.com/contact.

- **Training and Certification**—Visit ni.com/training for self-paced training, eLearning virtual classrooms, interactive CDs, and Certification program information. You also can register for instructor-led, hands-on courses at locations around the world.
- **System Integration**—If you have time constraints, limited in-house technical resources, or other project challenges, National Instruments Alliance Partner members can help. To learn more, call your local NI office or visit ni.com/alliance.
- **Declaration of Conformity (DoC)**—A DoC is our claim of compliance with the Council of the European Communities using the manufacturer's declaration of conformity. This system affords the user protection for electronic compatibility (EMC) and product safety. You can obtain the DoC for your product by visiting ni.com/certification.

If you searched ni.com and could not find the answers you need, contact your local office or NI corporate headquarters. Phone numbers for our worldwide offices are listed at the front of this manual. You also can visit the Worldwide Offices section of ni.com/niglobal to access the branch office Web sites, which provide up-to-date contact information, support phone numbers, email addresses, and current events.

Glossary

Symbol	Prefix	Value
p	pico	10^{-12}
n	nano	10^{-9}
μ	micro	10^{-6}
m	milli	10^{-3}
k	kilo	10^3
M	mega	10^6
G	giga	10^9
T	tera	10^{12}

Symbols

°	Degrees
≥	Equal or greater than
≤	Equal or less than
%	Percent
Ω	Ohms

A

A	Amperes
AC	Alternating current
ANSI	American National Standards Institute
AUTO	Automatic fan speed control
AWG	American Wire Gauge

B

backplane An assembly, typically a printed circuit board, with connectors and signal paths that bus the connector pins

C

C Celsius

cfm Cubic feet per minute

CFR Code of Federal Regulations

cm Centimeters

CompactPCI An adaptation of the Peripheral Component Interconnect (PCI) Specification 2.1 or later for industrial and/or embedded applications requiring a more robust mechanical form factor than desktop PCI. It uses industry standard mechanical components and high-performance connector technologies to provide an optimized system intended for rugged applications. It is electrically compatible with the PCI Specification, which enables low-cost PCI components to be utilized in a mechanical form factor suited for rugged environments.

CSA Canadian Standards Association

D

daisy-chain A method of propagating signals along a bus, in which the devices are prioritized on the basis of their position on the bus

DC Direct current

DoC Declaration of Conformity

E

efficiency Ratio of output power to input power, expressed as a percentage

EIA Electronic Industries Association

embedded system controller	A module configured for installation in slot 1 of a PXI chassis. This device is unique in the PXI system in that it performs the system controller functions, including clock sourcing and arbitration for data transfers across the backplane. Installing such a device into any other slot can damage the device, the PXI backplane, or both.
EMC	Electromagnetic Compatibility
EMI	Electromagnetic Interference
F	
FCC	Federal Communications Commission
filler panel	A blank module front panel used to fill empty slots in the chassis
G	
g	(1) grams; (2) a measure of acceleration approximately equal to 9.8 m/s^2
GPIB	General Purpose Interface Bus (IEEE 488)
g_{rms}	A measure of random vibration; the root mean square of acceleration levels in a random vibration test profile
H	
hr	Hours
Hz	Hertz; cycles per second
I	
IEC	International Electrotechnical Commission; an organization that sets international electrical and electronics standards
IEEE	Institute of Electrical and Electronics Engineers
I_{MP}	Mainframe peak current

in. Inches

inhibit To turn off

J

jitter A measure of the small, rapid variations in clock transition times from their nominal regular intervals. Units: seconds RMS.

K

kg Kilograms

km Kilometers

L

lb Pounds

load regulation The maximum steady-state percentage that a DC voltage output will change as a result of a step change from no-load to full-load output current

M

m Meters

MAX NI Measurement & Automation Explorer, the utility that allows you to configure and test your PXI system

MHz Megahertz. One million Hertz; one Hertz equals one cycle per second.

ms Millisecond, one thousandth of a second (10^{-3})

N

NEMA National Electrical Manufacturers Association

NI National Instruments

NI-DAQmx	National Instruments driver that controls the operation of National Instruments data acquisition (DAQ) devices
NI-VISA	National Instruments implementation of the VISA (Virtual Instrument System Architecture) I/O standard. NI-VISA provides support for the VISA API, and also provides VISAIC, a utility for instrument configuration and I/O function execution.
ns	Nanosecond, one billionth of a second (10^{-9})
P	
ppm	Parts-per-million
PXI	PCI eXtensions for Instrumentation. PXI is an implementation of CompactPCI with added electrical features that meet the high performance requirements of instrumentation applications by providing triggering, local buses, and system clock capabilities.
PXI_CLK10	10 MHz PXI system reference clock
R	
RMS	Root mean square
S	
s	Seconds
skew	Deviation in signal transmission times
slot blocker	An assembly installed into an empty slot to improve the airflow in adjacent slots
ST	Star trigger
standby	The backplane is unpowered (off), but the chassis is still connected to AC power mains.

star trigger slot	This slot is located at slot 2 and has a dedicated trigger line between each peripheral slot. Use this slot for a module with ST functionality that can provide individual triggers to all other peripherals.
system reference clock	A 10 MHz clock, also called PXI_CLK10, that is distributed to all peripheral slots in the chassis, as well as a BNC connector on the rear of chassis labeled <i>10 MHz REF OUT</i> . The system reference clock can be used for synchronization of multiple modules in a measurement or control system. The 10 MHz REF IN and OUT BNC connectors on the rear of the chassis can be used to synchronize multiple chassis to one reference clock. The PXI backplane specification defines implementation guidelines for PXI_CLK10.

T

TTL	Transistor-transistor logic
-----	-----------------------------

U

UL	Underwriter's Laboratories
----	----------------------------

V

V	Volts
VAC	Volts alternating current, or V_{rms}
V_{pp}	Peak-to-peak voltage

W

W	Watts
---	-------

Index

A

AC power cables (table), 1-2

B

backplane

- interoperability with CompactPCI, 1-6
- local bus, 1-7
- overview, 1-6
- peripheral slots, 1-7
- specifications, A-10
- star trigger (ST) slot, 1-7
- system reference clock, 1-8
- trigger bus, 1-8

C

- cables, power (table), 1-2
- CE compliance, specifications, A-9
- chassis initialization file, 2-11
- CompactPCI
 - installing modules (figure), 2-9
 - interoperability with PXI-1031
 - backplane, 1-6
 - interoperability with PXI-1031DC
 - backplane, 1-6
- configuration. *See* installation, configuration, and operation
- conventions used in the manual, *vii*
- cooling
 - air cooling of PXI-1031, 2-2
 - air cooling of PXI-1031DC, 2-2
 - air intake (figure), 2-3
 - filler panel installation, 2-3
 - setting fan speed, 2-3

D

- DC
 - power cable, 1-6
 - power up, testing, 2-5
- Declaration of Conformity (NI resources), C-1
- diagnostic tools (NI resources), C-1
- dimensions (figure), A-12, A-13
- documentation
 - conventions used in manual, *vii*
 - NI resources, C-1
 - related documentation, *viii*
- drivers (NI resources), C-1

E

- electromagnetic compatibility, A-9
- EMC filler panel kit, 1-5
- examples (NI resources), C-1

F

- fan, setting speed, 2-3
- filler panel installation, 2-3

G

- ground, connecting, 2-4

H

- handle/feet kit, 1-5
- help, technical support, C-1

I

installation, configuration, and operation

- chassis initialization file, 2-11
- configuration in MAX (figure), 2-10
- connecting safety ground, 2-4
- filler panel installation, 2-3
- installing a PXI controller, 2-6
- module installation, 2-7, 2-8
 - CompactPCI or PXI modules (figure), 2-9
 - injector/ejector handle position (figure), 2-7
- PXI configuration in MAX, 2-9
 - trigger configuration, 2-11
- PXI controller installed in a PXI-1031 chassis (figure), 2-8
- PXI controller installed in a PXI-1031DC chassis (figure), 2-8
- rack mounting, 2-4
- setting fan speed, 2-3
- site considerations, 2-2
- testing power up, 2-4
 - DC, 2-5
- unpacking
 - PXI-1031, 1-1
 - PXI-1031DC, 1-1

instrument drivers (NI resources), C-1

interoperability with CompactPCI, 1-6

K

key features, 1-2

KnowledgeBase, C-1

L

local bus

- routing (figure), 1-7
- star trigger and local bus routing (figure), 1-8

M

maintenance of PXI-1031, 3-1

- cleaning
 - exterior cleaning, 3-2
 - fan filter, 3-3
 - interior cleaning, 3-2
- preparation, 3-1
- service interval, 3-1
- static discharge damage (caution), 3-1

maintenance of PXI-1031DC, 3-1

- cleaning
 - exterior cleaning, 3-2
 - fan filter, 3-3
 - interior cleaning, 3-2
- preparation, 3-1
- service interval, 3-1
- static discharge damage (caution), 3-1

N

National Instruments support and services, C-1

O

optional equipment, 1-5

P

P1 (J1) connector

- peripheral slot (table), B-6
- star trigger slot (table), B-4
- system controller slot (table), B-2

P2 (J2) connector

- peripheral slot (table), B-7
- star trigger slot (table), B-5
- system controller slot (table), B-3

peripheral slots

- overview, 1-7
- P1 (J1) connector pinouts (table), B-6
- P2 (J2) connector pinouts (table), B-7

- pinouts, B-1
 - P1 (J1) connector
 - peripheral slot (table), B-6
 - star trigger slot (table), B-4
 - system controller slot (table), B-2
 - P2 (J2) connector
 - peripheral slot (table), B-7
 - star trigger slot (table), B-5
 - system controller slot (table), B-3
- power cables (table), 1-2
- power supply
 - connecting to, 2-4
 - connecting to DC, 2-5
- power switch, 2-5
- power up, testing, 2-4
- programming examples (NI resources), C-1
- PXI controller, 2-6
 - installing in a PXI-1031 chassis (figure), 2-8
 - installing in a PXI-1031DC chassis (figure), 2-8
- PXI subsystem
 - star trigger and local bus routing (figure), 1-8
- PXI_CLK10, 1-8
- PXI_CLK10_IN pin, 1-8
- PXI-1031
 - backplane
 - interoperability with CompactPCI, 1-6
 - local bus, 1-7
 - overview, 1-6
 - peripheral slots, 1-7
 - star trigger (ST) slot, 1-7
 - system reference clock, 1-8
 - trigger bus, 1-8
 - fan speed, setting, 2-3
 - front view (figure), 1-3
 - installation. *See* installation, configuration, and operation
 - key features, 1-2
 - maintenance. *See* maintenance of PXI-1031
 - module cooling air intake (figure), 2-3
 - optional equipment, 1-5
 - rack mount kits, 1-5
 - rack mounting, 2-4
 - rear view of chassis, 1-4
 - safety ground, connecting, 2-4
 - PXI-1031DC
 - backplane
 - interoperability with CompactPCI, 1-6
 - local bus, 1-7
 - overview, 1-6
 - peripheral slots, 1-7
 - star trigger (ST) slot, 1-7
 - system reference clock, 1-8
 - trigger bus, 1-8
 - fan speed, setting, 2-3
 - installation. *See* installation, configuration, and operation
 - key features, 1-2
 - maintenance. *See* maintenance of PXI-1031DC
 - module cooling air intake (figure), 2-3
 - optional equipment, 1-5
 - rack mount kits, 1-5
 - rack mounting, 2-4
 - rear view of chassis, 1-4
 - safety ground, connecting, 2-4

R

- rack mount kit dimensions (figure), A-14
- rack mount kits, 1-5
- rack mounting, 2-4
- related documentation, *viii*

S

safety

- and caution notices, 2-1
- ground, connecting, 2-4
- specifications, A-9

service interval, 3-1

setting fan speed, 2-3

software (NI resources), C-1

specifications

- backplane, A-10
- CE compliance, A-9
- dimensions (figure), A-12, A-13
- electromagnetic compatibility, A-9
- mechanical, A-11
- rack mount kit dimensions (figure), A-14
- safety, A-9
- WEEE statement, A-10

specifications, PXI-1031

- acoustic emissions, A-4
 - sound power, A-4
 - sound pressure level (at operator position), A-4
- chassis cooling, A-2

electrical

- AC input, A-1
- DC output, A-2

environmental, A-3

specifications, PXI-1031DC

- acoustic emissions, A-8
 - sound power, A-8
 - sound pressure level (at operator position), A-8
- chassis cooling, A-6

electrical

- AC input, A-5
- DC input, A-5
- DC output, A-6

environmental, A-7

star trigger (ST) slot

description, 1-7

P1 (J1) connector pinouts (table), B-4

P2 (J2) connector pinouts (table), B-5

star trigger and local bus routing (figure), 1-8

support, technical, C-1

system controller slot

description, 1-6

P1 (J1) connector pinouts (table), B-2

P2 (J2) connector pinouts (table), B-3

system reference clock, 1-8

T

technical support, C-1

testing power up, 2-4

DC, 2-5

training and certification (NI resources), C-1

trigger bus, 1-8

troubleshooting (NI resources), C-1

U

unpacking

PXI-1031, 1-1

PXI-1031DC, 1-1

W

Web resources, C-1

WEEE statement, specifications, A-10