

## TBX Rack-Mount Kit

This guide describes how to install the TBX rack-mount kit.

### Introduction

Use the TBX rack-mount kit to mount TBX terminal blocks, the CB-50, and other DIN rail-mountable equipment in a standard 19-inch rack.

### What You Need to Get Started

- TBX rack-mount kit
  - Rack-mount assembly
  - TBX Rack-Mount Kit Installation Guide*
  - Four 10–32 screws
- No. 1 Phillips-head screwdriver
- No. 2 Phillips-head screwdriver
- 1/4 in. flathead screwdriver

### Rack-Mount Kit Installation

Perform the following steps to install the TBX rack-mount kit in a standard 19-inch rack. Refer to Figure 1 as needed.

1. Secure the TBX rack-mount kit into position in your 19-inch rack with the four 10-32 screws.
2. If you plan to use an SCXI chassis with your TBX rack-mount kit, for a clean installation, be sure to leave a 1 U (1.75 in.) space between the SCXI chassis and the TBX rack-mount to route cables to the back side of the TBX rack-mount.

---

Product and company names are trademarks or trade names of their respective companies.



## Grounding

**Warning:** *Always attach a Safety Earth Ground wire to the grounding screw before introducing any high voltages (see Figure 2). National Instruments is NOT liable for any damages or injuries resulting from signal connections that exceed any of the ratings specified in each TBX terminal block installation guide.*

3. Snap the TBX terminal block onto the DIN rail with a firm push. See Figure 2 for an example of how the TBX terminal block looks when properly installed.

To remove the terminal block from the DIN rail, place a flathead screwdriver into the slot above the terminal block base and pry it from the DIN rail.

## Cabling and Field Wiring

Cable assembly entry and exit openings are located in the back of the rack-mount bracket, as shown in Figure 2. Refer to your TBX terminal block installation guide for detailed instructions on cabling.

Perform the following steps to route your field wiring, referring to Figure 2 as necessary:

1. Remove the wire duct cover (item 8).
2. Route the field wiring through the field wire ducts (item 7). Refer to your TBX terminal block installation guide for detailed information on field wiring.
3. Tie-wrap your field wires together within the wire duct to help secure the wires.

After connecting cabling and field wiring to your terminal block, refer to Figure 1 to reattach the rack-mount covers, if necessary (cover use is optional).

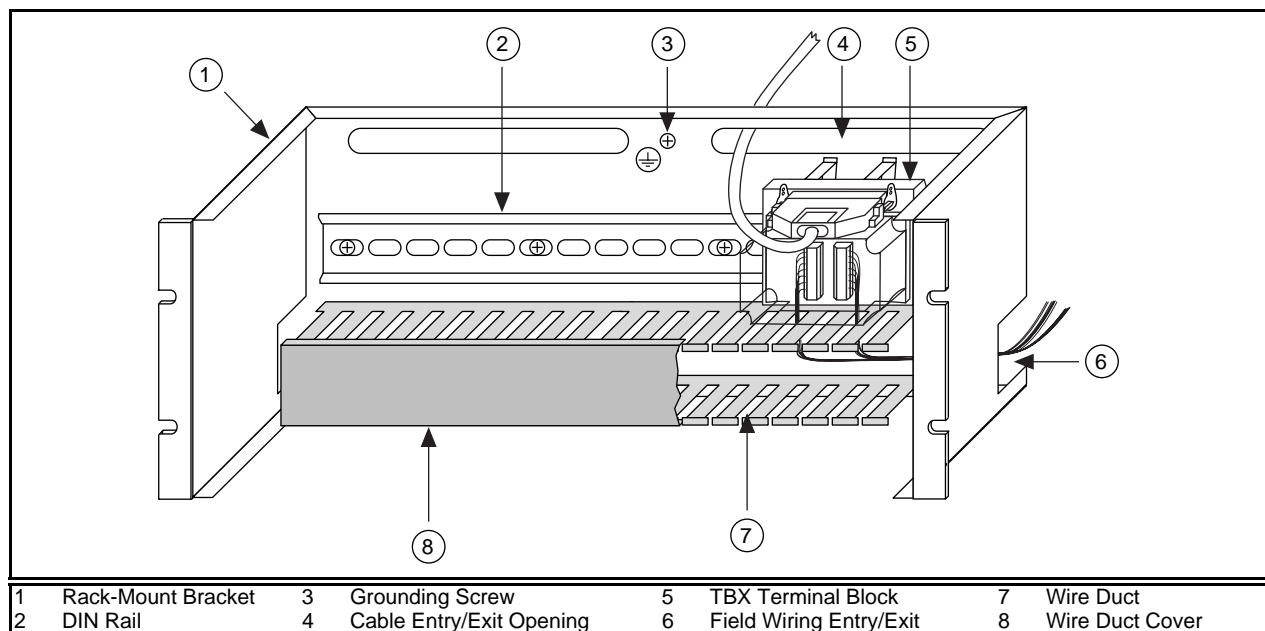


Figure 2. Installing Terminal Blocks

## Other Installations

In addition to TBX terminal blocks, you can also install the CB-50 and other DIN rail-mountable equipment into your 19-inch rack using the TBX rack-mount kit. To install this equipment, refer to the installation guides included with each specific product.

Figure 3 shows the dimensions of the TBX rack-mount kit.

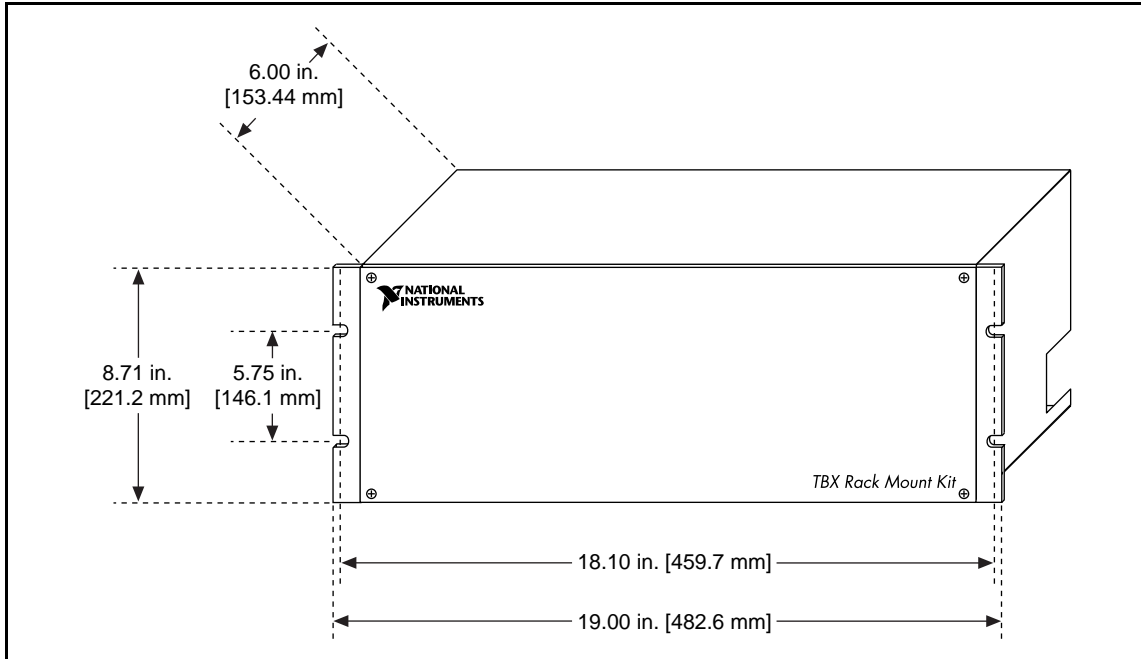


Figure 3. TBX Rack-Mount Kit Dimensions