
SCXI-1374 Handle Kit for the SCXI Chassis

This guide describes how to attach the SCXI-1374 handle-plate assembly to an SCXI chassis.

Introduction

Use the SCXI-1374 handle kit to mount a handle on either side of your SCXI chassis. You also can install one handle on each side of your chassis for easier handling.

What You Need to Get Started

To install your SCXI-1374 handle-plate assembly, you will need the following:

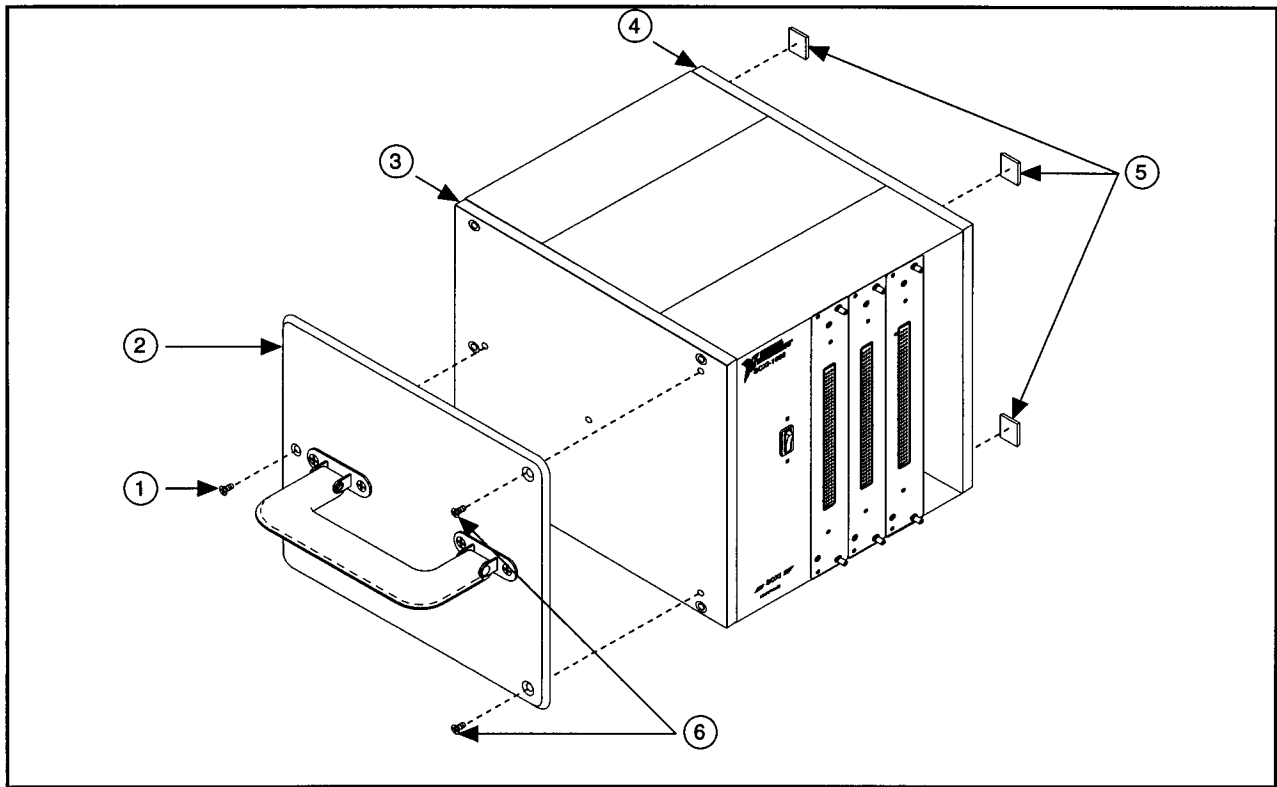
- SCXI-1374 Handle Kit for the SCXI Chassis
 - Handle-plate assembly
 - SCXI-1374 Handle Kit for the SCXI Chassis Installation Guide*
 - Two 8-32 screws
 - One 6-32 screw
 - Four rubber feet
- SCXI-1000, 1000DC, 1001, or 2000 Chassis
- No. 2 Phillips-head screwdriver

Installation

Refer to Figure 1 on the next page as you perform the installation instructions.

1. Turn off the power.
2. If you are installing one handle kit on each side of the chassis, you do not need the rubber feet. Otherwise, attach the rubber feet onto the four corners of the end plate opposite the side of the chassis where you will attach the handle plate.
3. Using the three supplied screws, attach the handle plate to the end plate on your chassis.

SCXI™ is a trademark of National Instruments Corporation.
Product and company names are trademarks or trade names of their respective companies.



1	6-32 Screw	3	End Plate (Handle Side)	5	Rubber Feet
2	Handle-Plate Assembly	4	End Plate	6	8-32 Screws

Figure 1. Connecting the Handle-Plate Assembly to the SCXI Chassis



320807B-01
April 1996