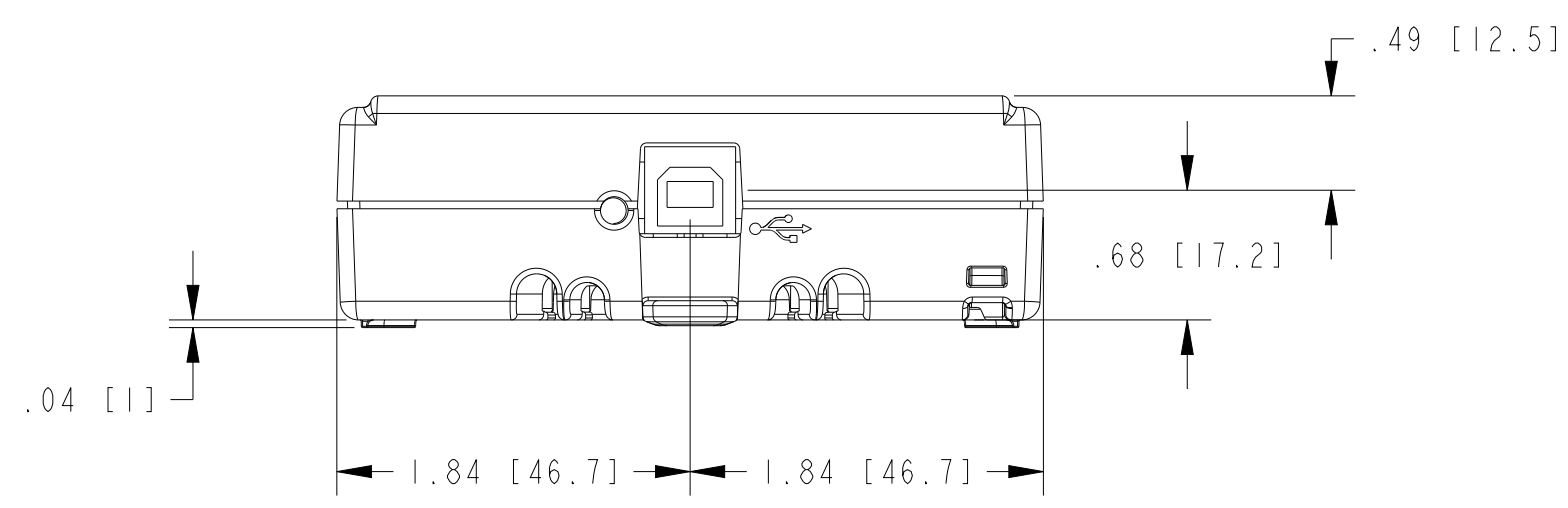
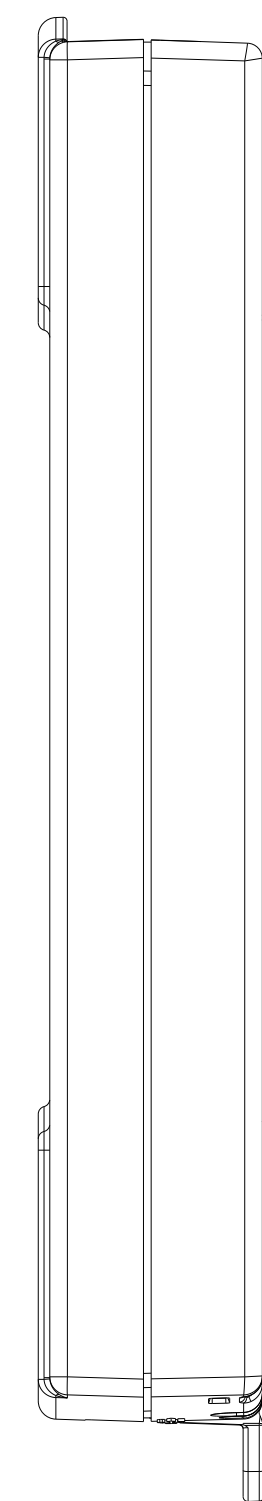
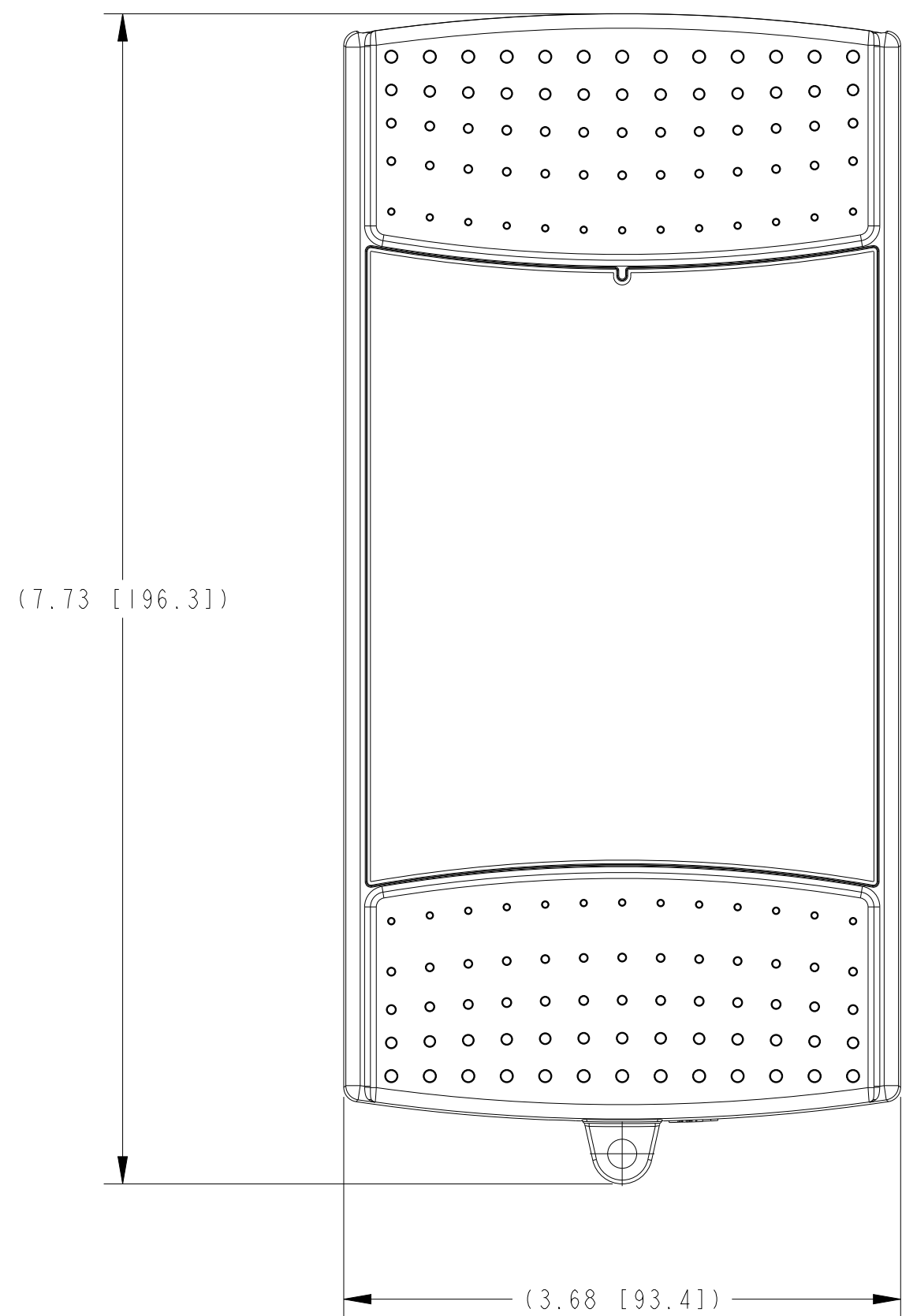


BOTTOM VIEW FOR  
 MOUNTING HOLE LOCATIONS



2. DIMENSIONS IN ( ) ARE FOR REFERENCE ONLY.  
 1. REFER TO PRODUCT MANUAL ON NI.COM FOR MORE DETAILS  
 NOTES: UNLESS OTHERWISE SPECIFIED.

UNLESS OTHERWISE SPECIFIED DIMENSIONS ARE IN INCHES AND (MILLIMETERS).	NATIONAL INSTRUMENTS® AUSTIN, TEXAS	
	TITLE NI USB 6212/6216 MASS TERMINAL	
DO NOT SCALE DRAWING THIRD ANGLE PROJECTION	SIZE CODE IDENT NO. MM/DD/YYYY D 7U296 09/01/2015	SHEET 1 OF 1
	SCALE: 1/1	CU_USB_6212_6216_MASS_TERM