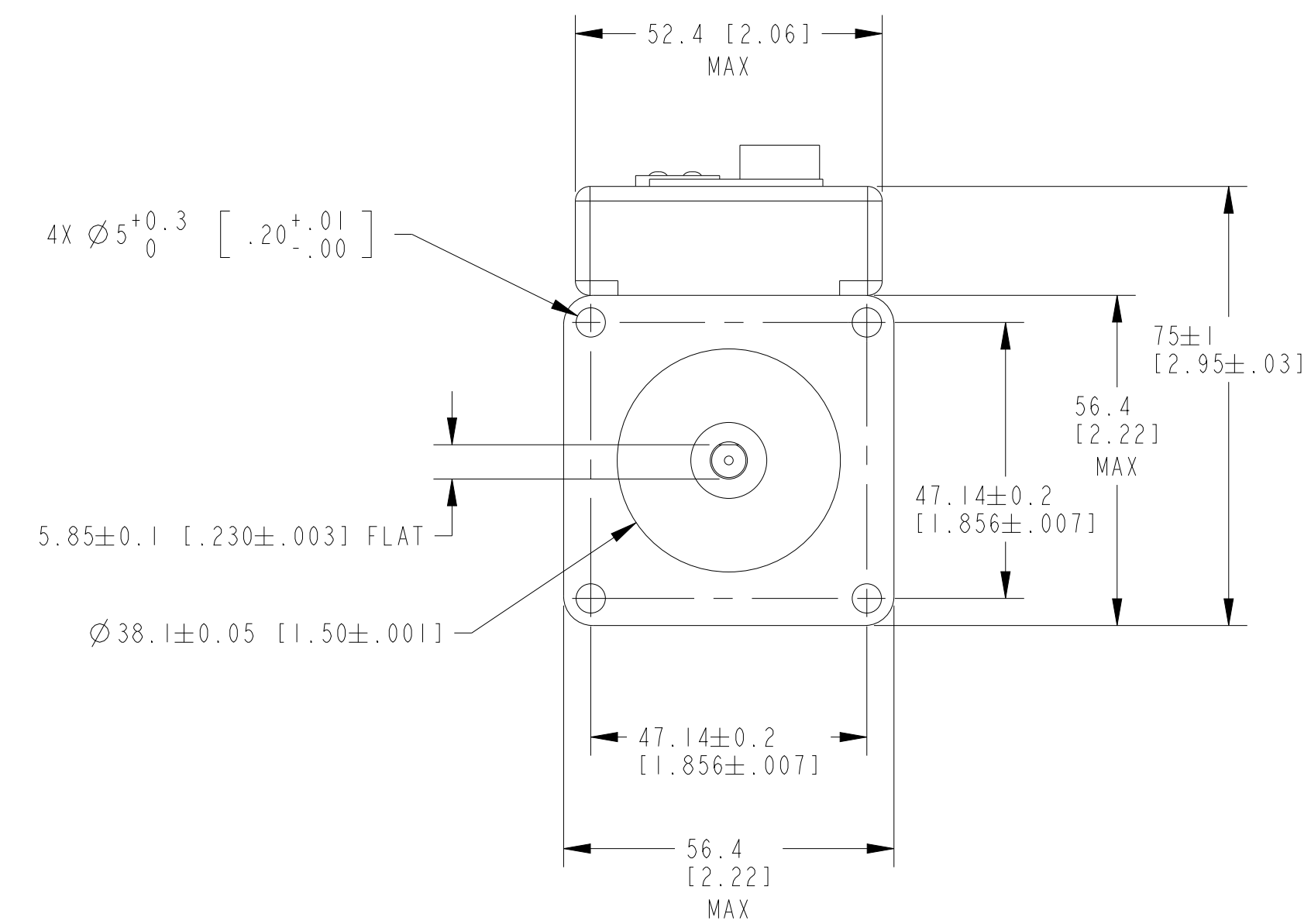
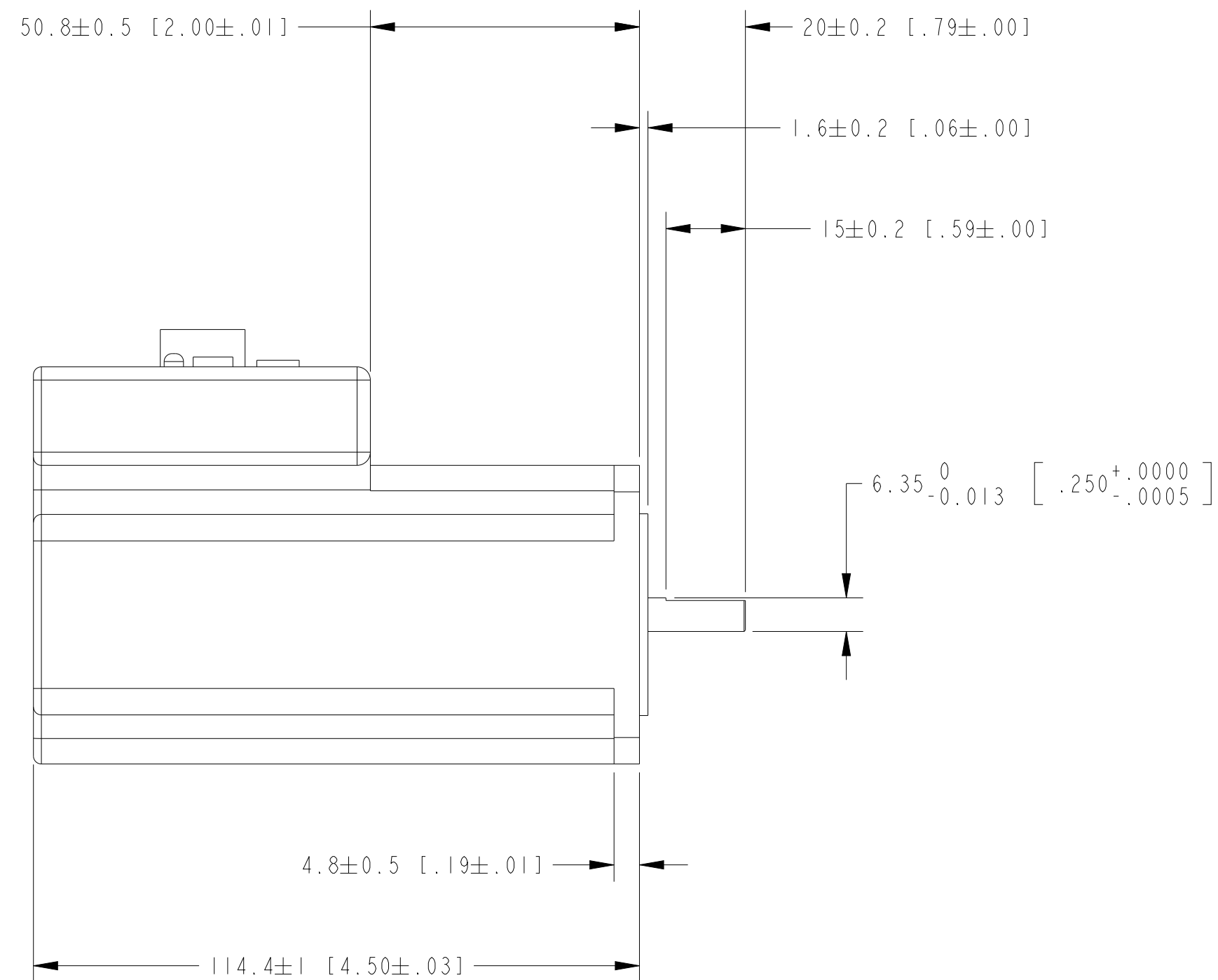
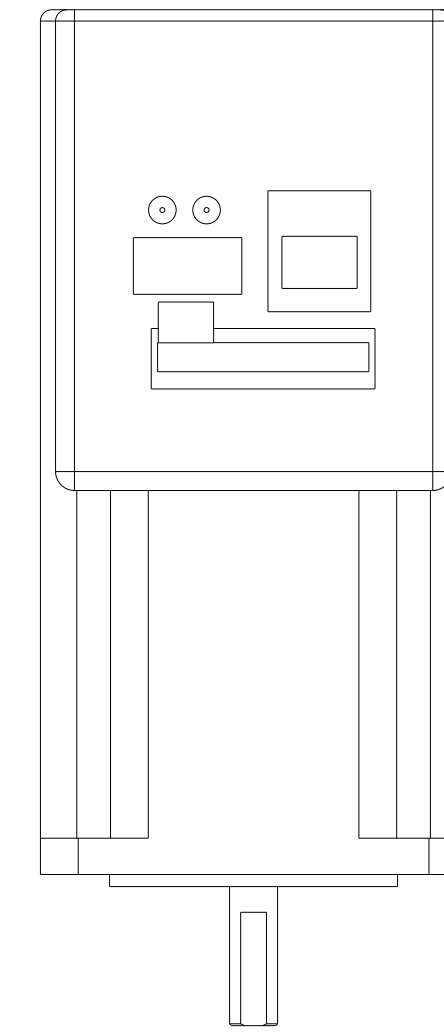


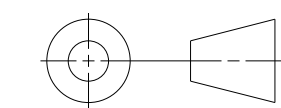
ISOMETRIC VIEW



METRIC

UNLESS OTHERWISE SPECIFIED
 DIMENSIONS ARE IN INCHES AND
 [MILLIMETERS].

DO NOT SCALE DRAWING
 THIRD ANGLE PROJECTION



NATIONAL INSTRUMENTS® AUSTIN, TEXAS

TITLE

ISM-7412

SIZE CODE IDENT NO. MM/DD/YYYY
 D 7U296 08/01/14

SCALE: 1/1 SHEET 1 OF 1

1. REFER TO PRODUCT MANUAL ON NI.COM FOR MORE DETAILS
 NOTES: UNLESS OTHERWISE SPECIFIED.