

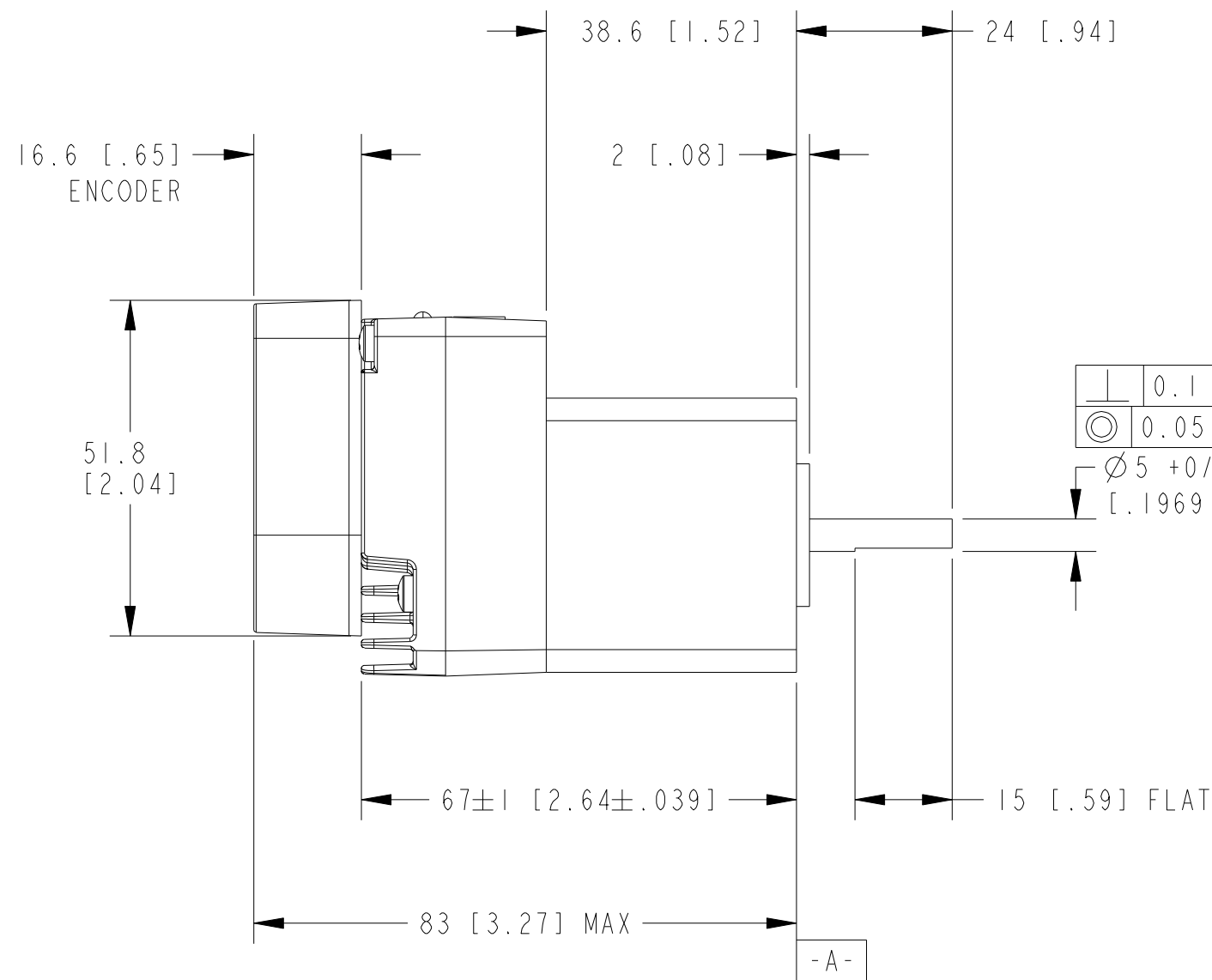
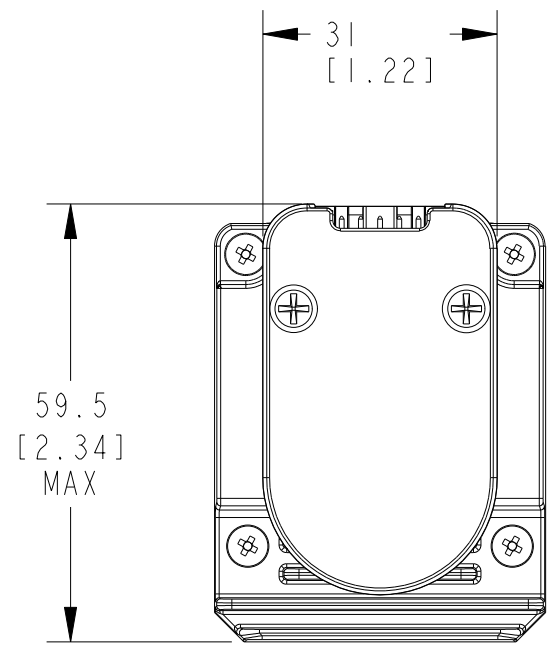
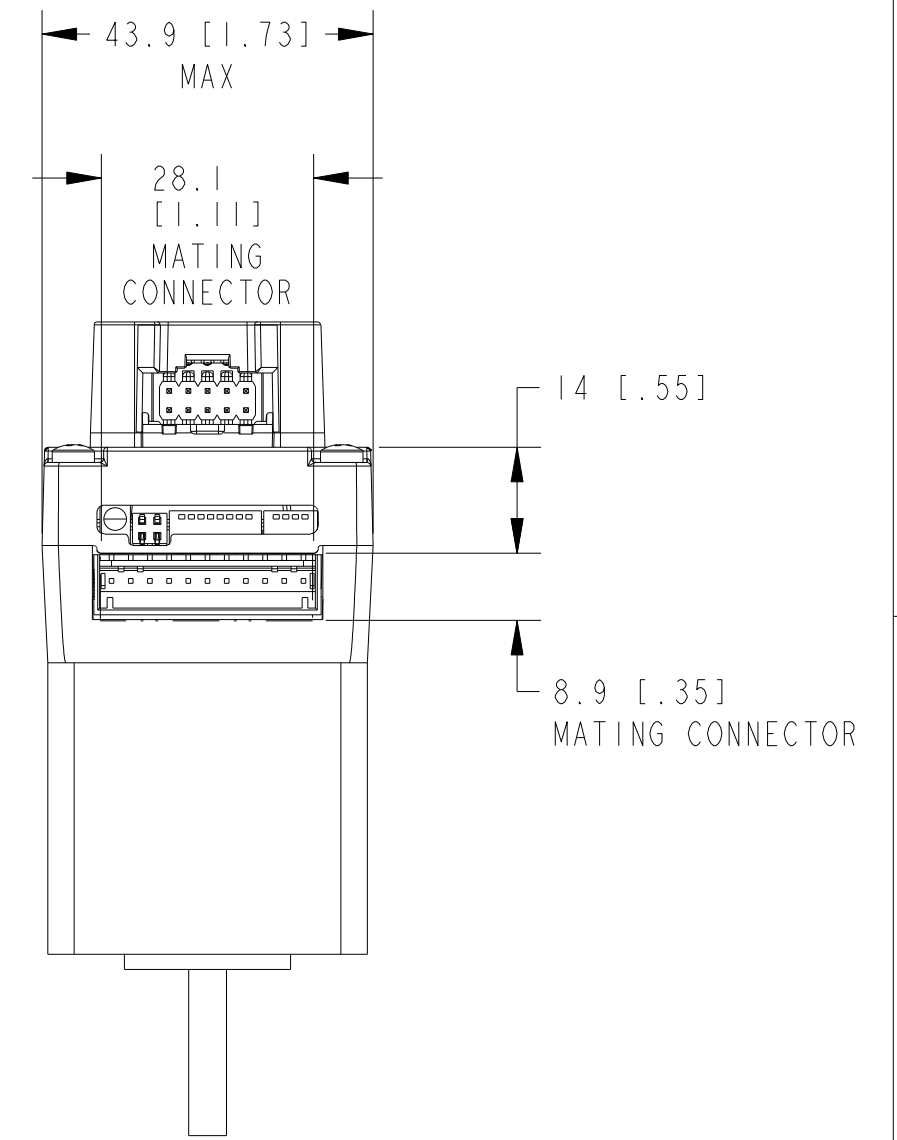
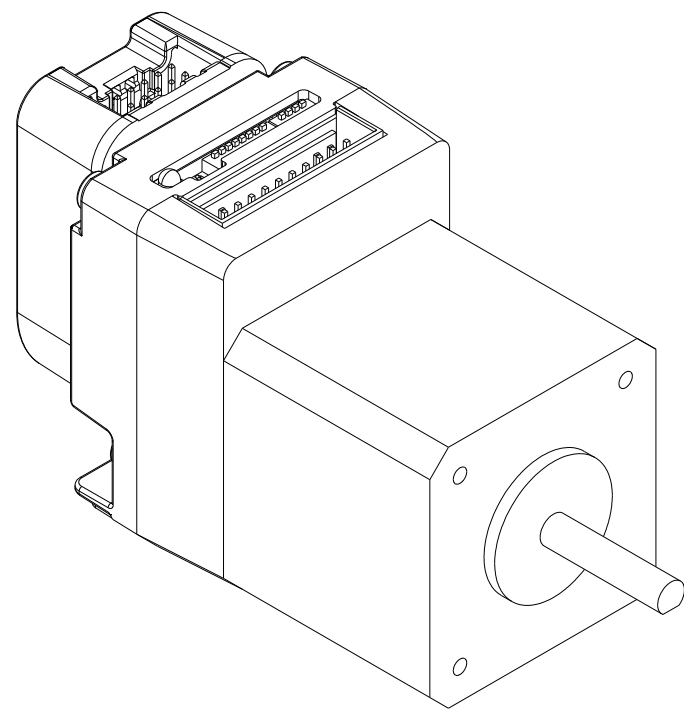
4

3

2

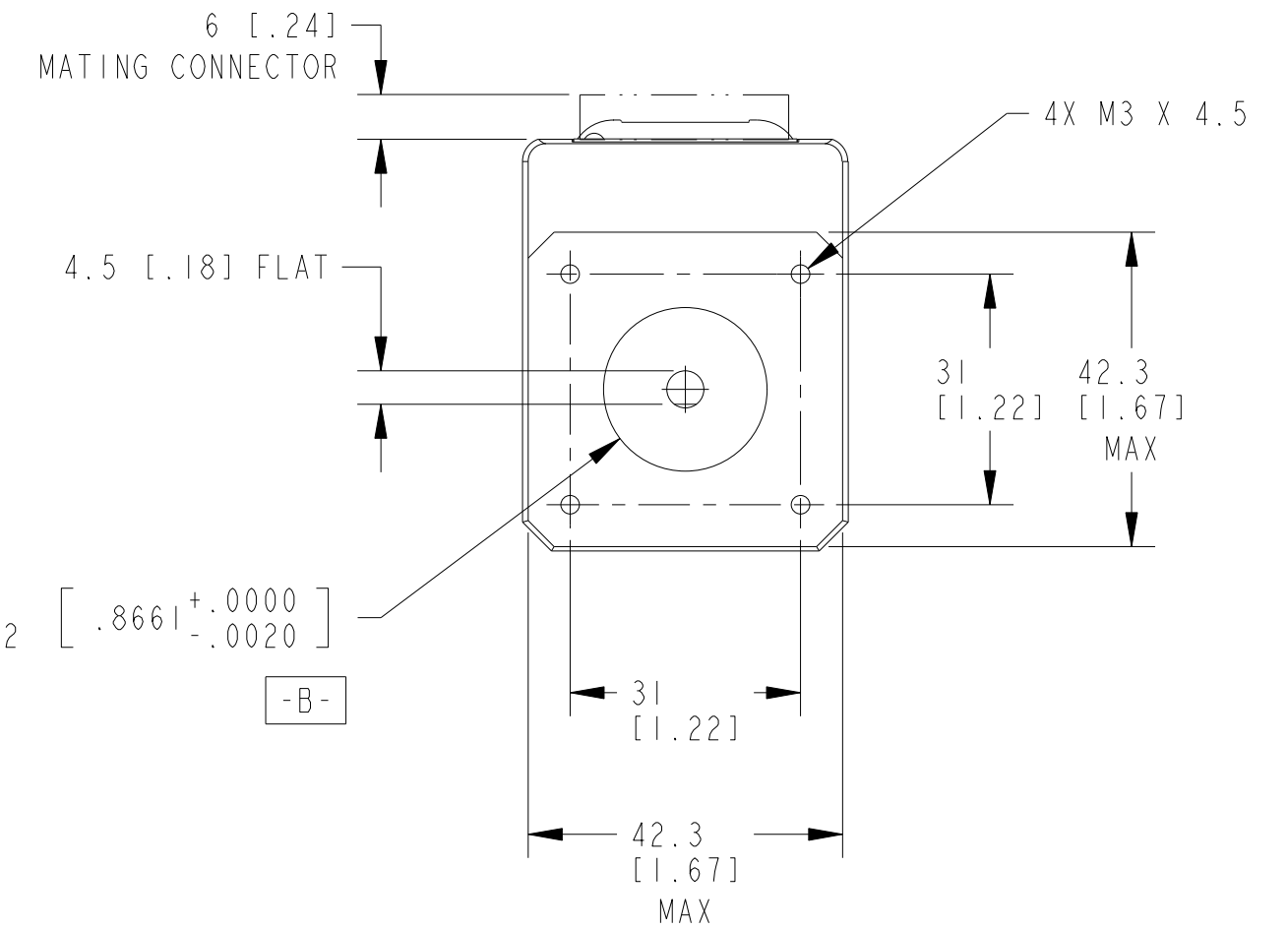
1

COPYRIGHT ©2013 NATIONAL INSTRUMENTS CORPORATION AND ITS LICENSORS. ALL RIGHTS RESERVED.



0.1 [.003]
0.05 [.001]
Ø5 +0/- .012
[.1969 +.0000/- .0005]

Ø22⁰_{-0.052} [.8661⁺_{-.0020}]

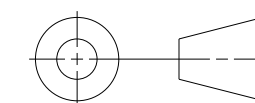


CUSTOMER DRAWING

UNLESS OTHERWISE SPECIFIED DIMENSIONS ARE IN INCHES AND [MILLIMETERS].

DO NOT SCALE DRAWING

THIRD ANGLE PROJECTION



AUSTIN, TEXAS

TITLE

ISM-7400E

SIZE CODE IDENT NO. MM/DD/YYYY

C7U296

09/27/13

SCALE: 1/1

SHEET 1 OF 1

CU-ISM-7400E_09-27-13

1. REFER TO PRODUCT MANUAL ON NI.COM FOR MORE DETAILS.
NOTES: UNLESS OTHERWISE SPECIFIED.

METRIC

4

3

2

1