

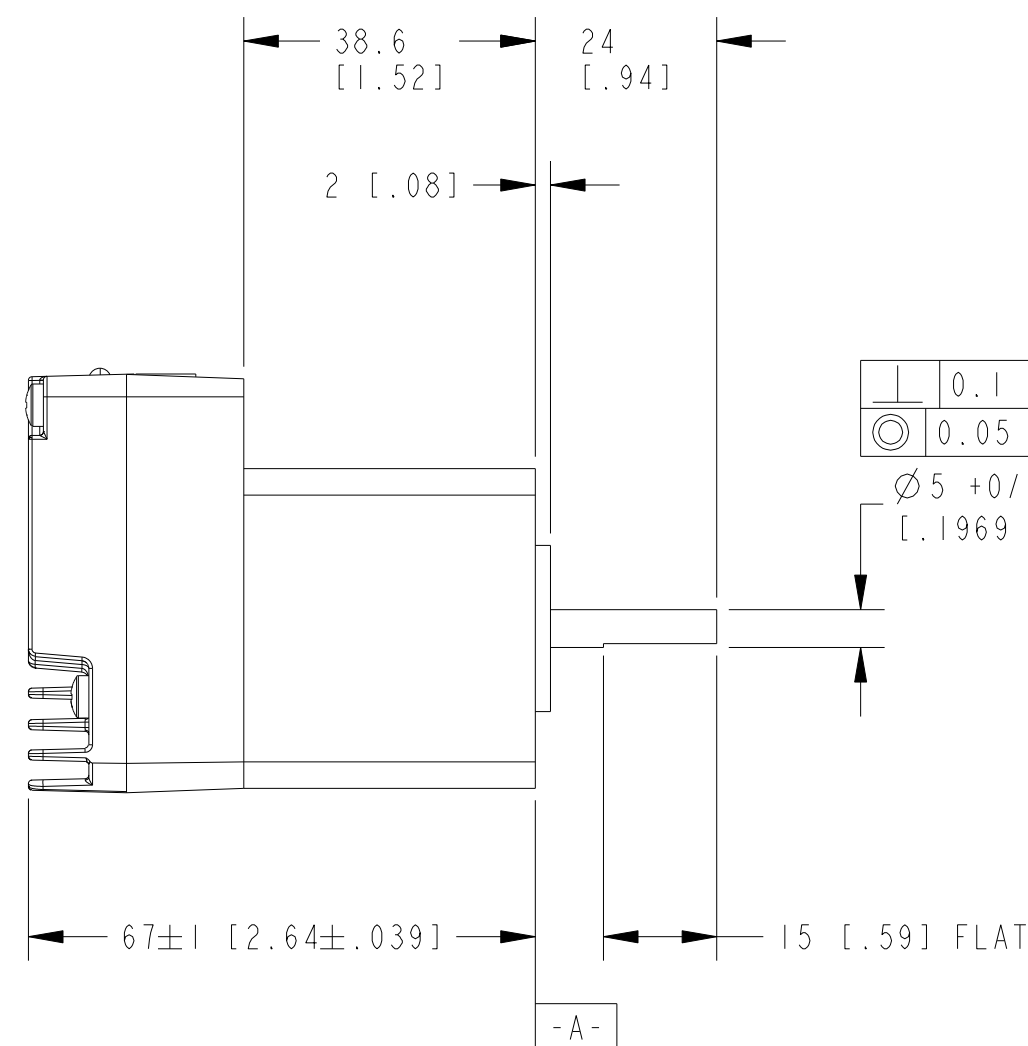
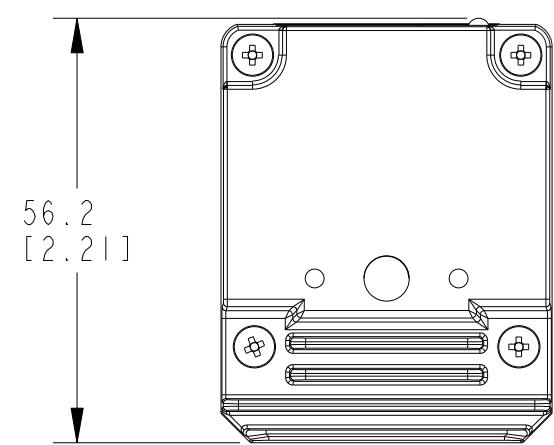
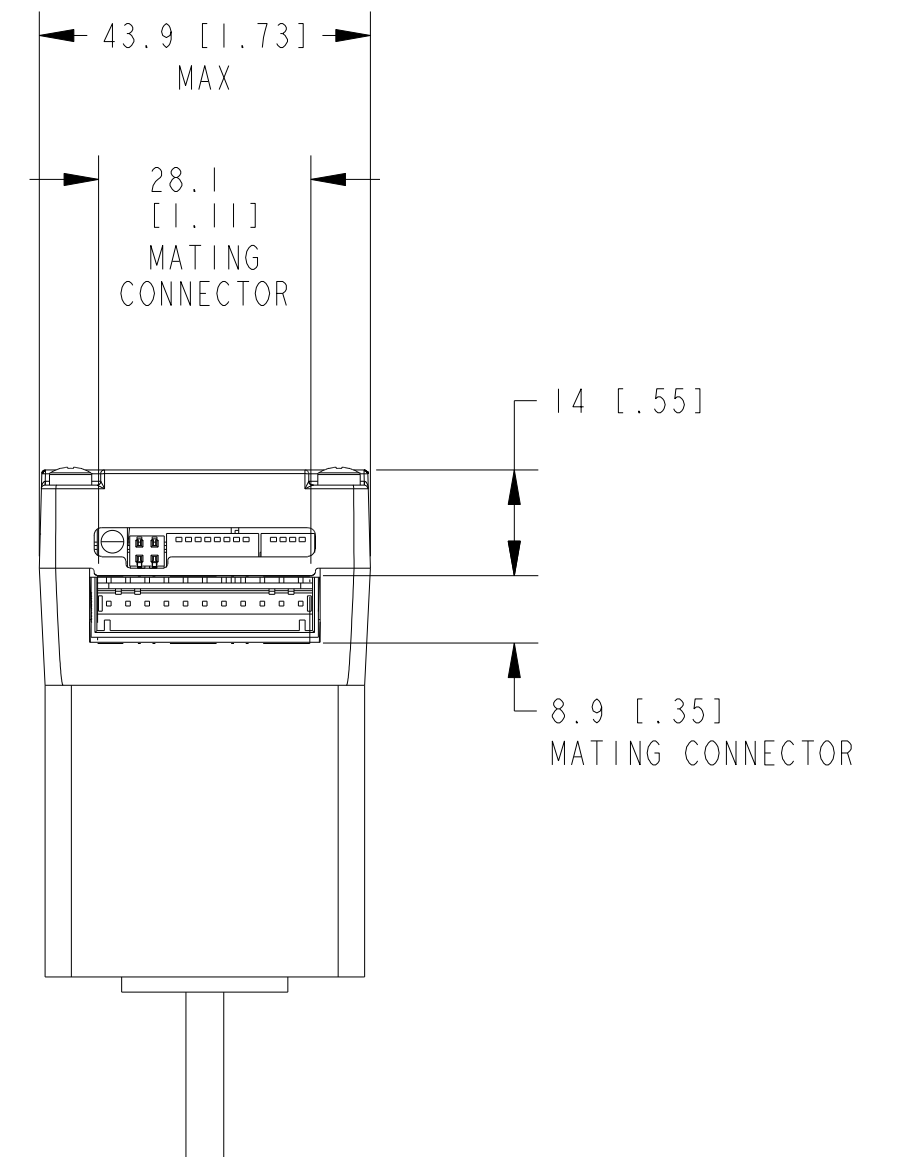
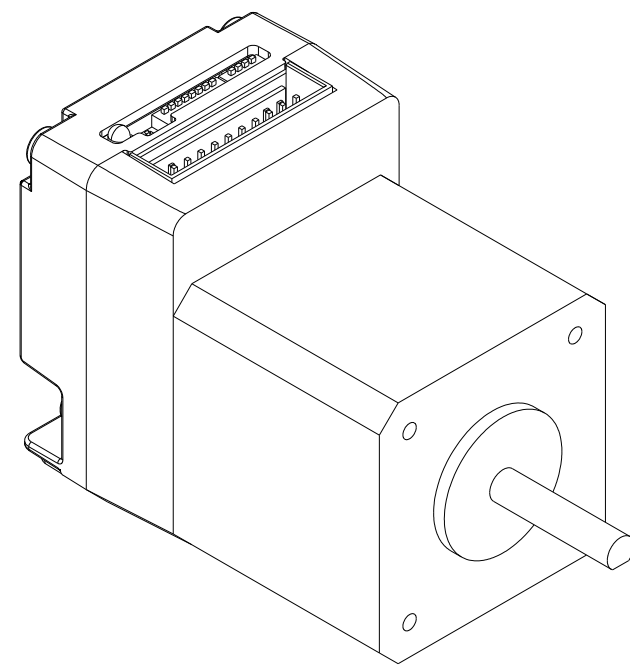
4

3

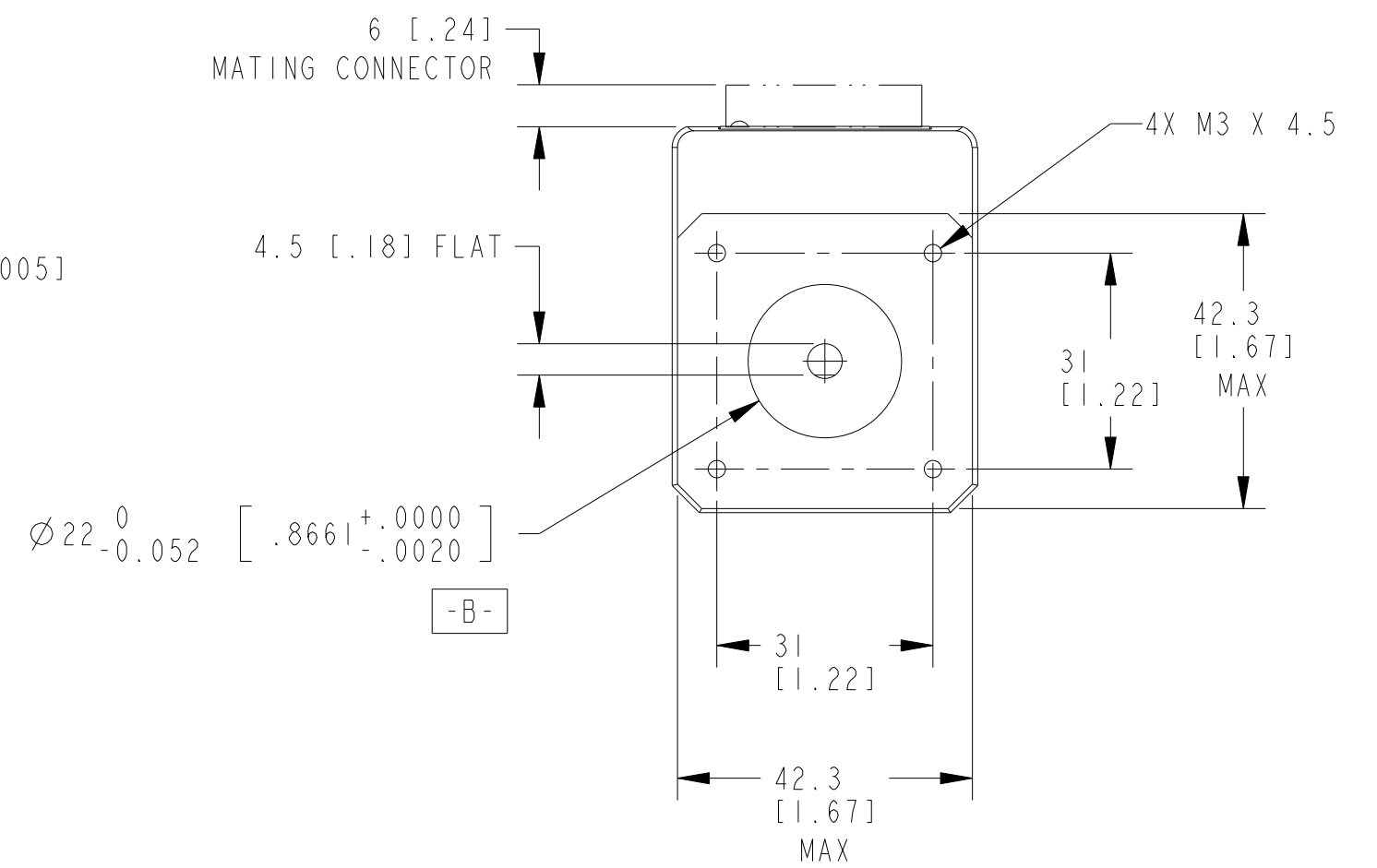
2

1

COPYRIGHT ©2013 NATIONAL INSTRUMENTS CORPORATION AND ITS LICENSORS. ALL RIGHTS RESERVED.



0.1 [.003] A  
0.05 [.001] B  
∅5 +0/- .012  
[.1969 +.0000/- .0005]

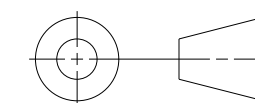


CUSTOMER DRAWING

UNLESS OTHERWISE SPECIFIED DIMENSIONS ARE IN INCHES AND [MILLIMETERS].

DO NOT SCALE DRAWING

THIRD ANGLE PROJECTION



AUSTIN, TEXAS

TITLE

ISM-7400

SIZE CODE IDENT NO. MM/DD/YYYY

C7U296

09/27/13

SCALE: 1/1

SHEET 1 OF 1

CU\_ISM-7400\_09-27-13

1. REFER TO PRODUCT MANUAL ON NI.COM FOR MORE DETAILS.  
NOTES: UNLESS OTHERWISE SPECIFIED.

METRIC

4

3

2

1