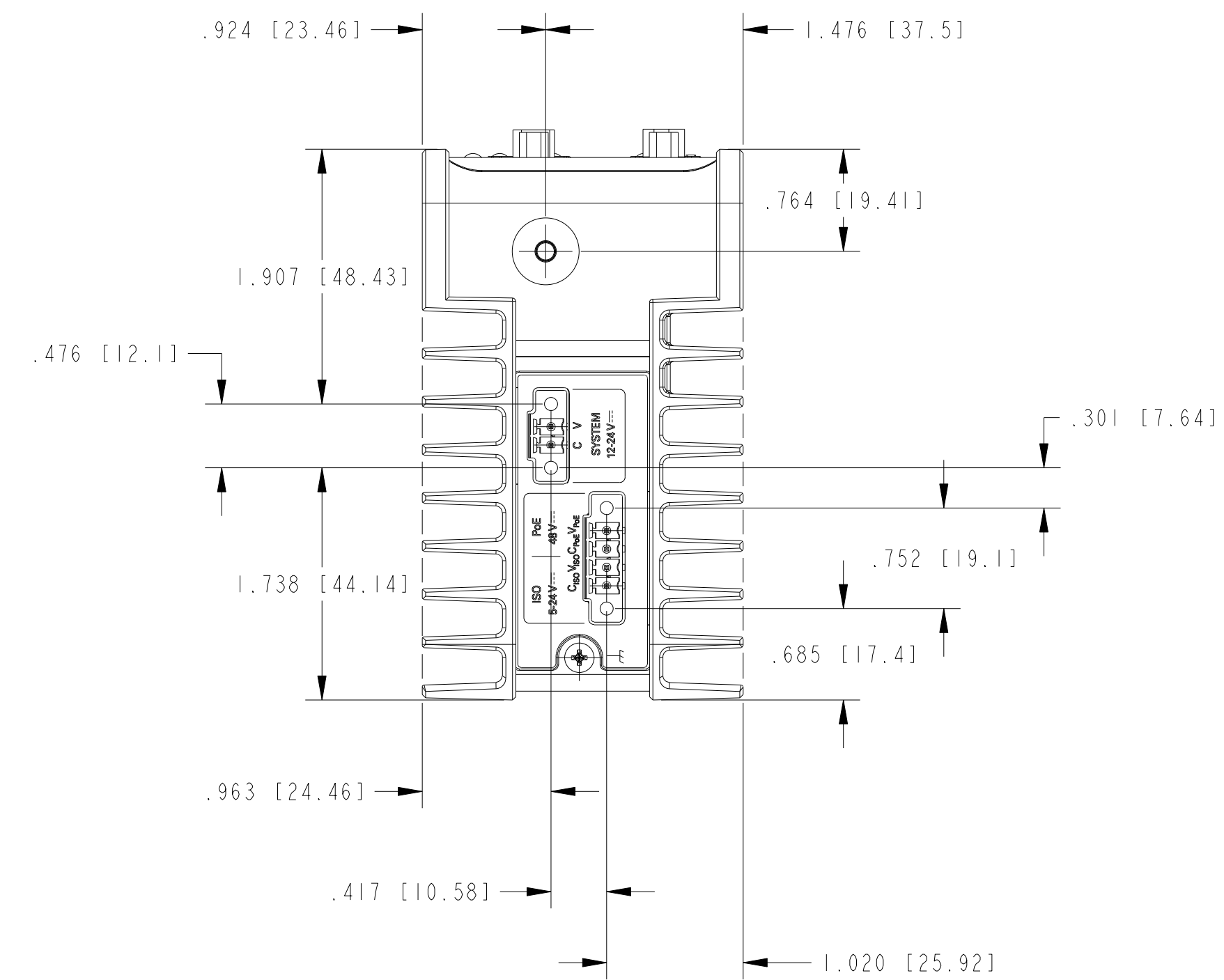
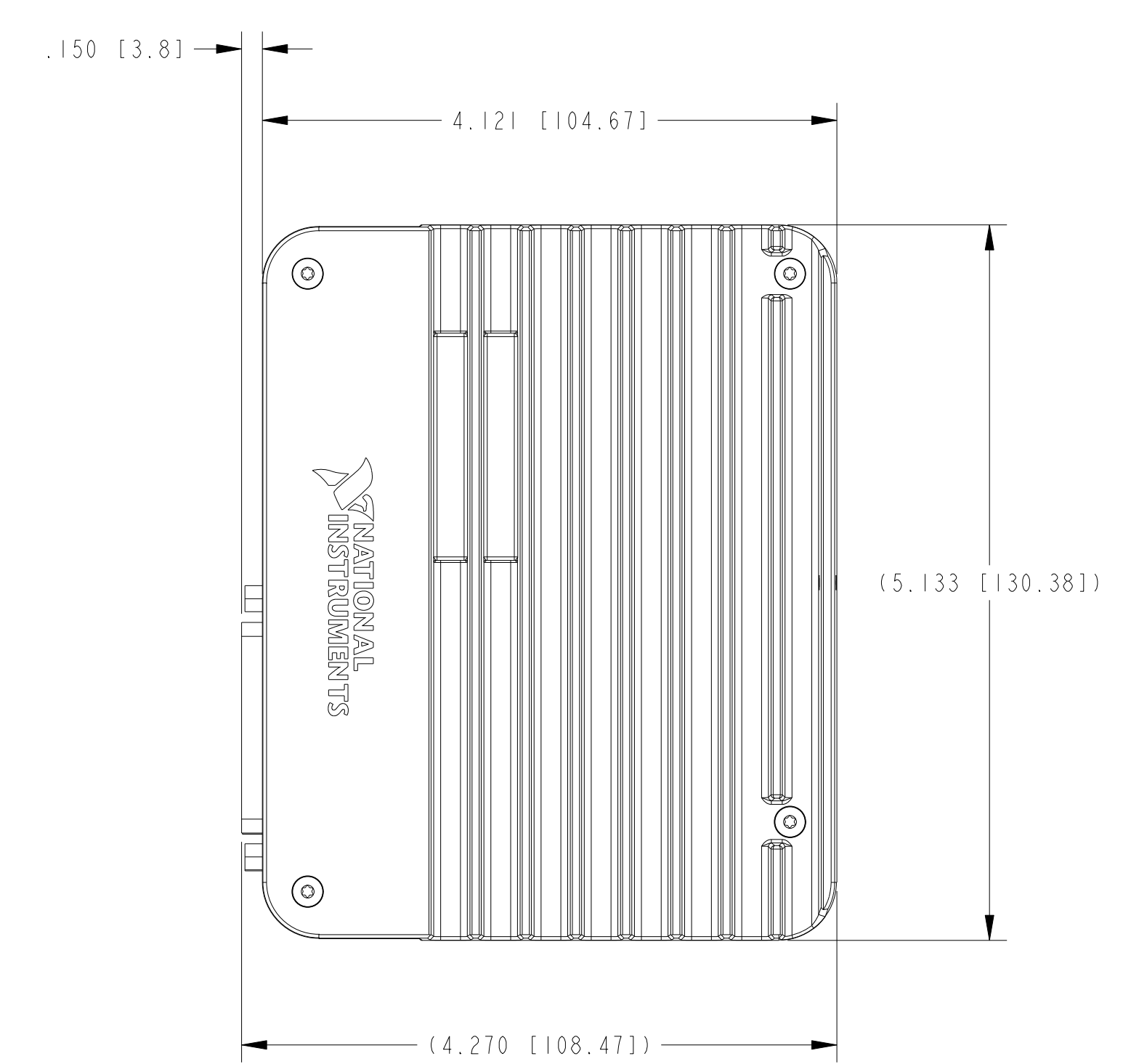
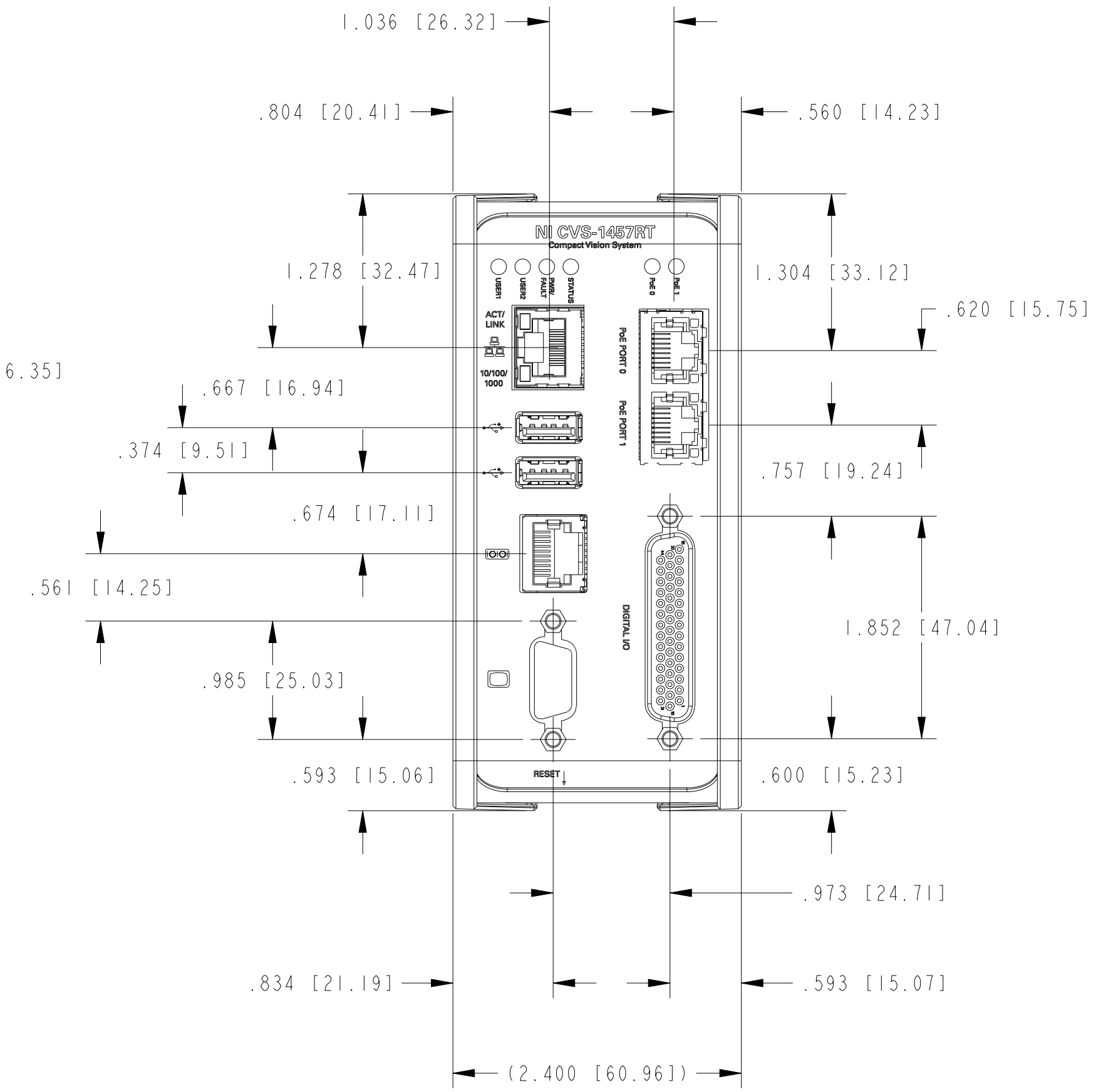


2X 6-32
 ⚓ .250 [6.35]



1. DIMENSIONS IN () ARE FOR REFERENCE ONLY.
 NOTES: UNLESS OTHERWISE SPECIFIED.

UNLESS OTHERWISE SPECIFIED DIMENSIONS ARE IN INCHES AND [MILLIMETERS].	NATIONAL INSTRUMENTS AUSTIN, TEXAS	
	TITLE NI CVS-1457RT	
DO NOT SCALE DRAWING THIRD ANGLE PROJECTION	SIZE CODE D 7U296	IDENT NO./MM/DD/YYYY 10/07/2013
	SCALE: 1/1	SHEET 1 OF 1

