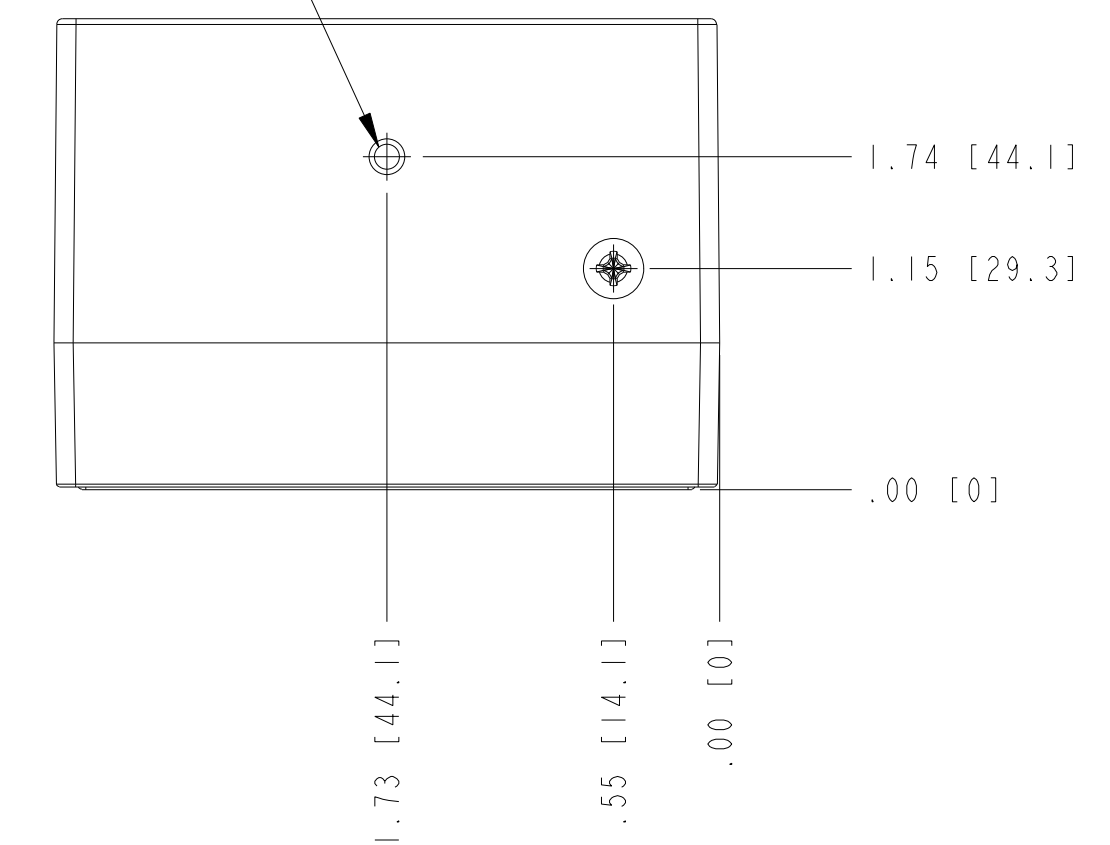


2X M4 X .07, .20 [5] MAX INSERTION DEPTH



1. REFER TO PRODUCT MANUAL ON NI.COM FOR MORE DETAILS.  
 NOTES: UNLESS OTHERWISE SPECIFIED.

UNLESS OTHERWISE SPECIFIED DIMENSIONS ARE IN INCHES AND [MILLIMETERS].	<b>NATIONAL INSTRUMENTS®</b> AUSTIN, TEXAS	
	TITLE cRIO-9068	
DO NOT SCALE DRAWING THIRD ANGLE PROJECTION	SIZE CODE IDENT NO MM/DD/YYYY D 7U296 07/30/2013	
	SCALE: 1/1	SHEET 1 OF 1

CU.CRIO-9068