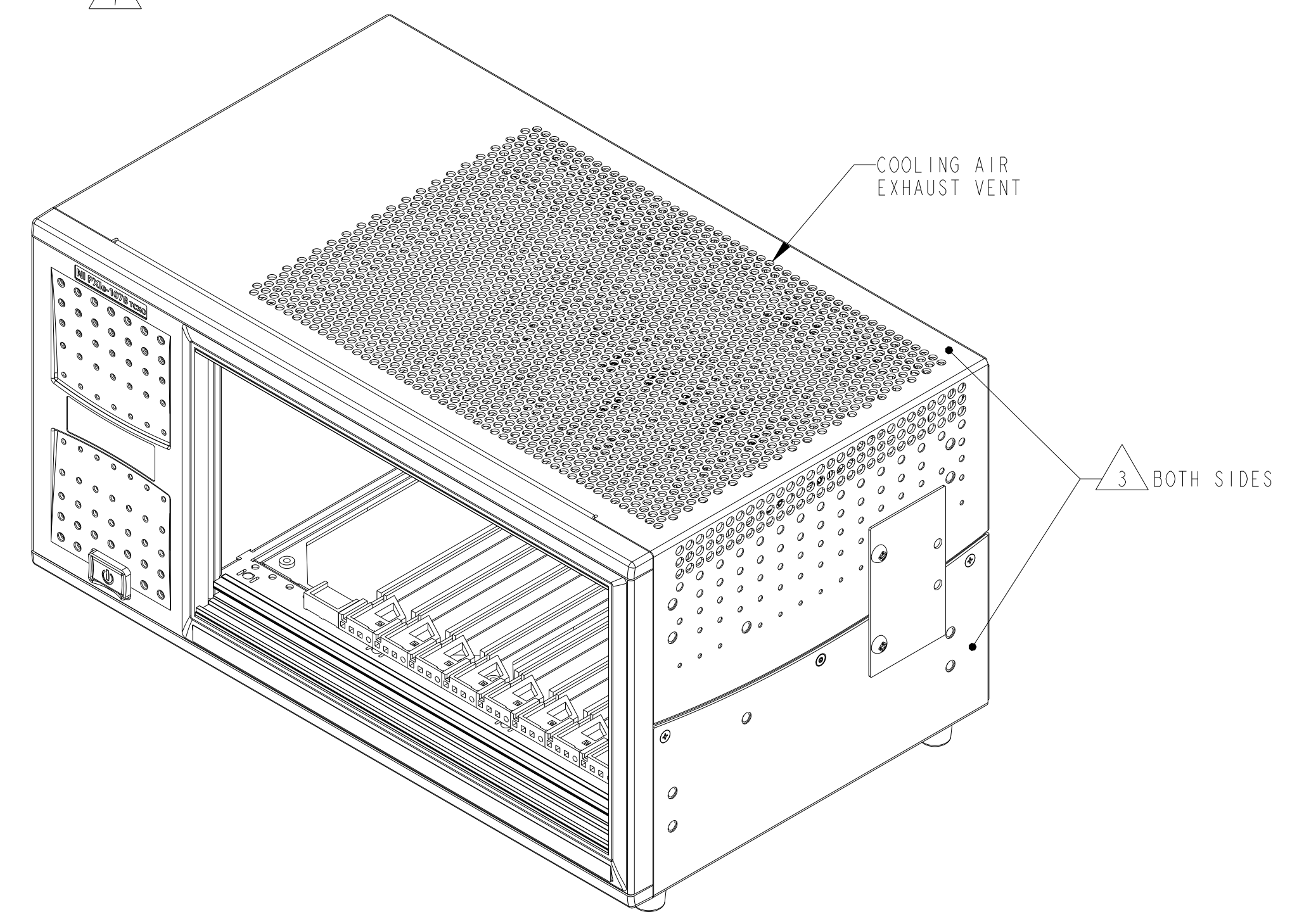
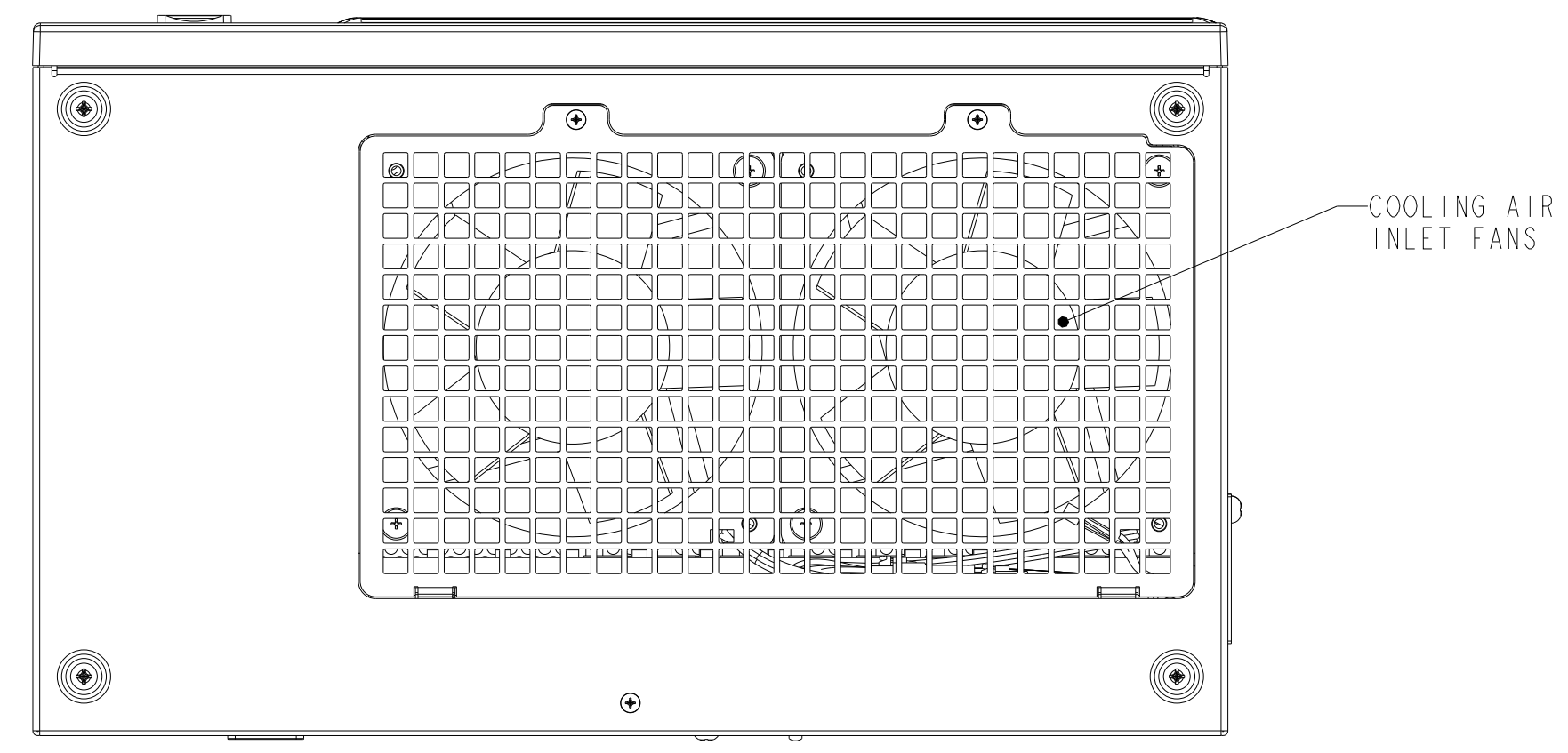
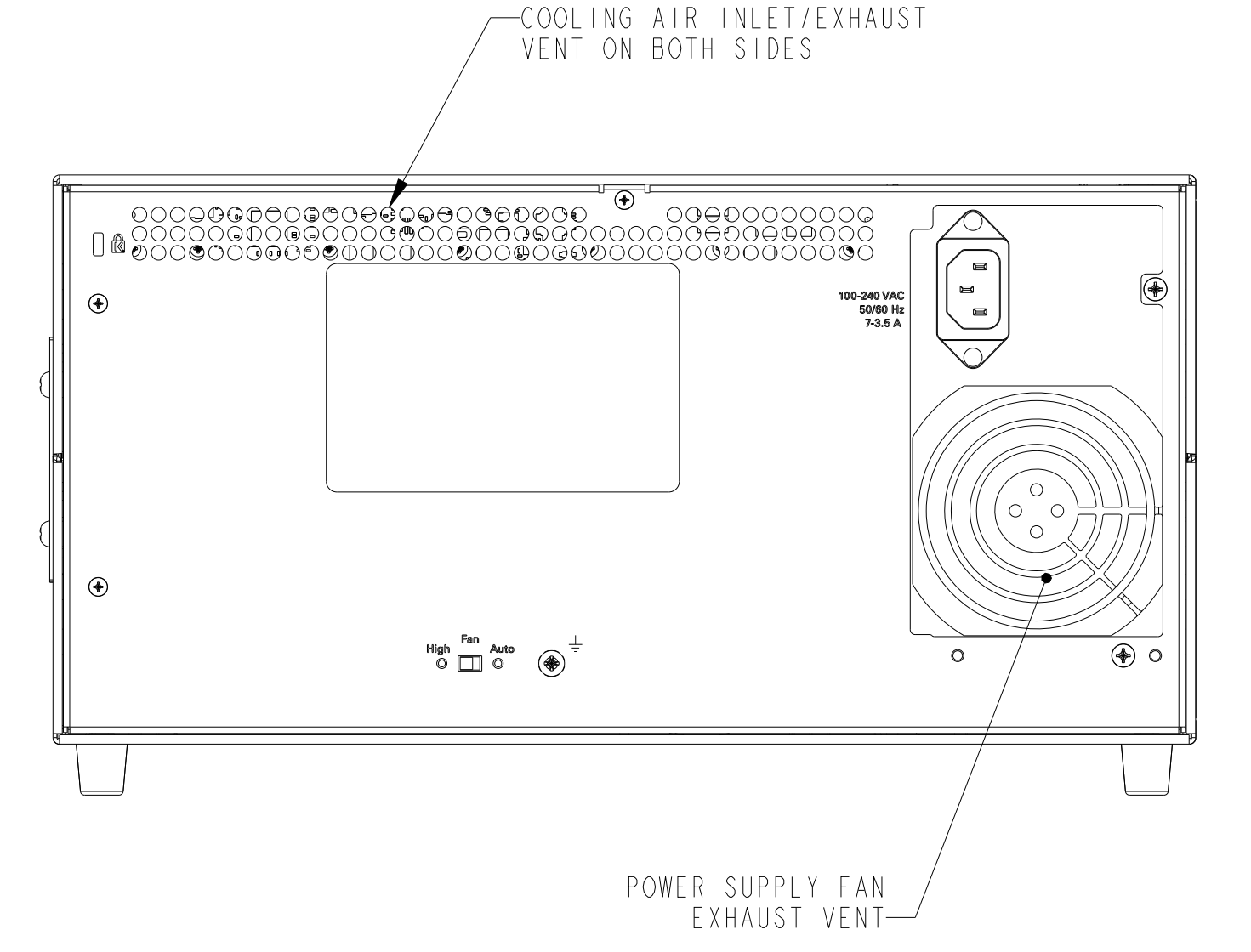
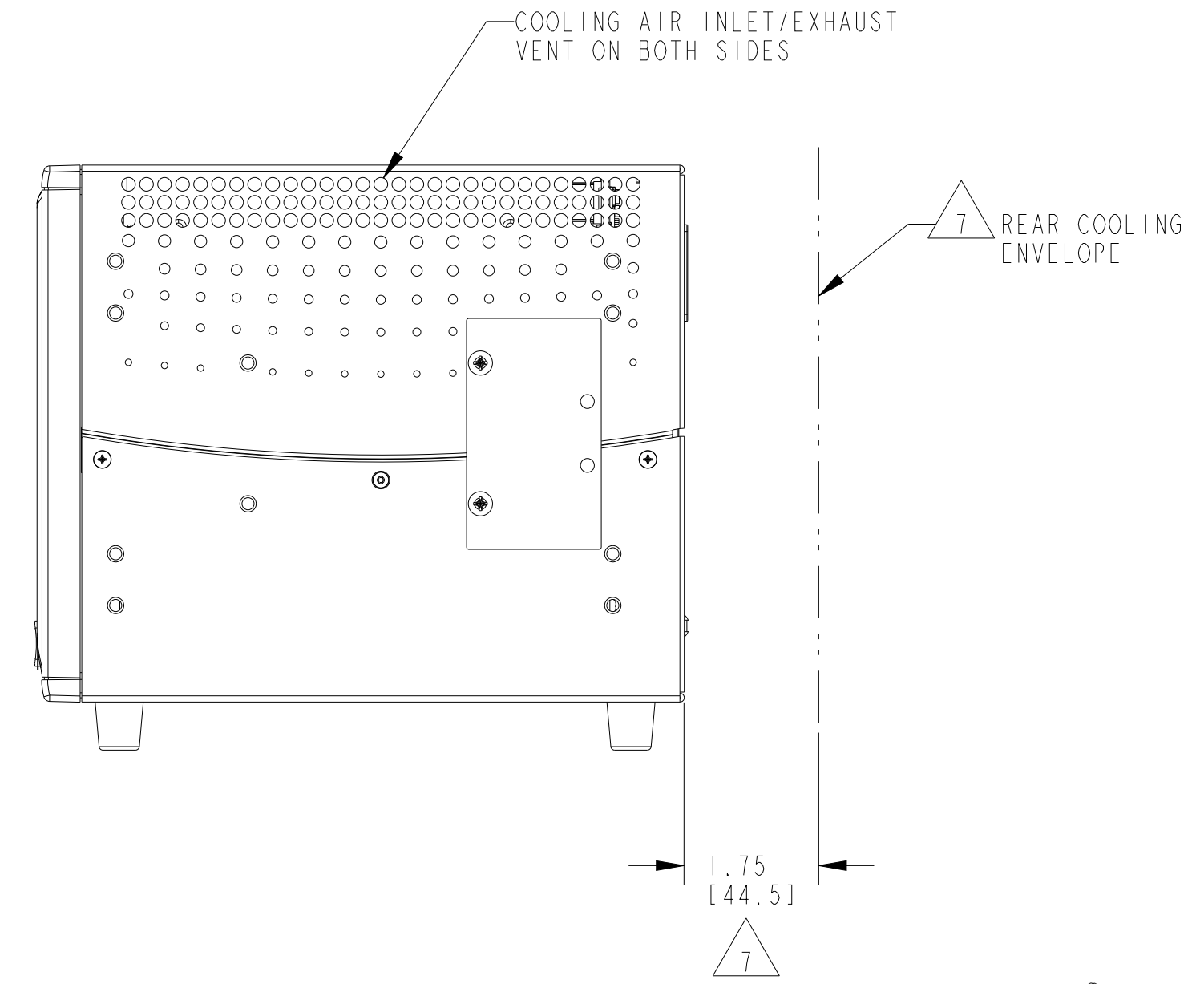
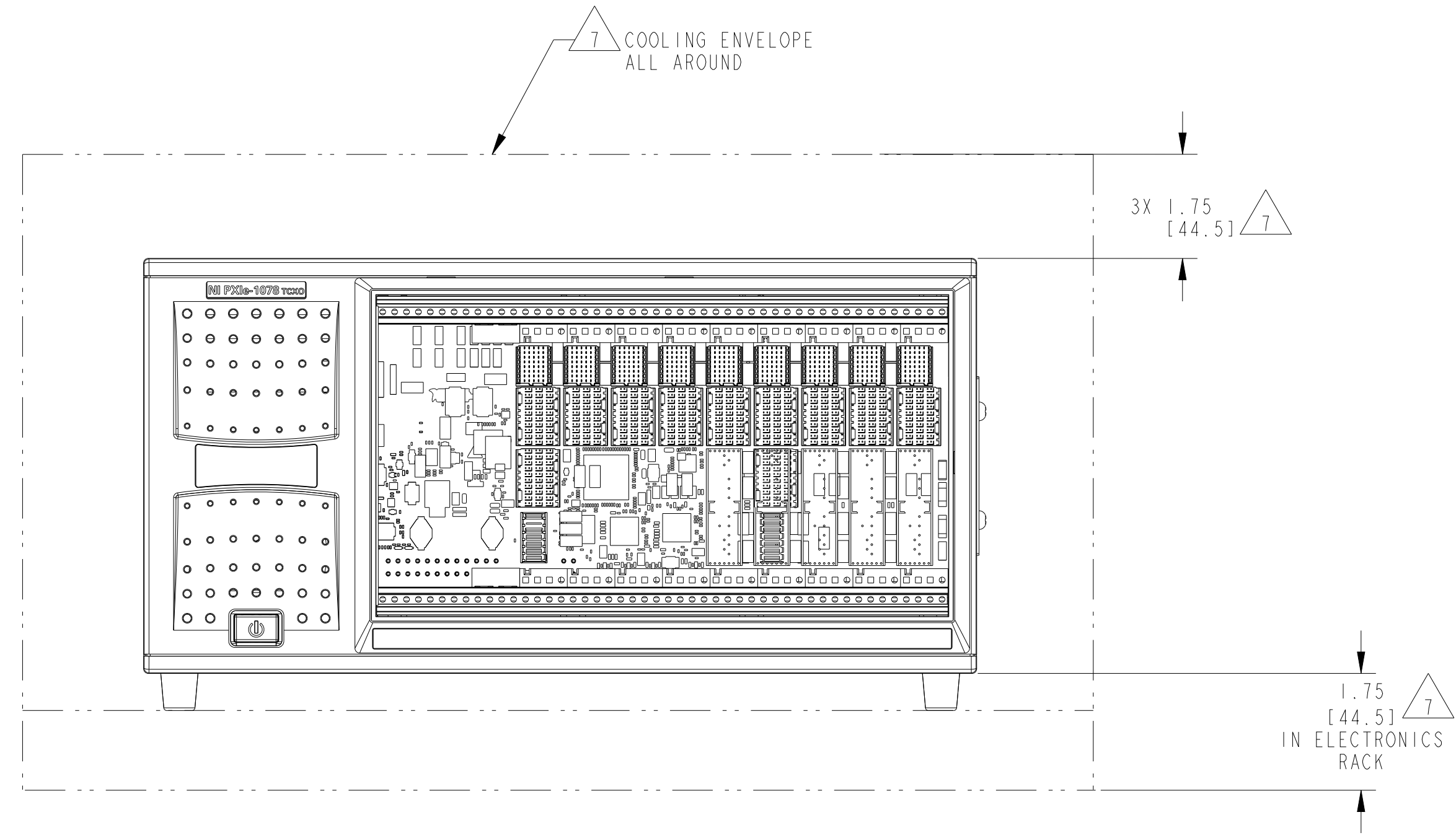


- 7 USER MUST PROVIDE MINIMUM COOLING/VENTING CLEARANCE AS SHOWN. FAILURE TO PROVIDE THIS CLEARANCE MAY RESULT IN CHASSIS OR MODULE THERMAL RELATED FAILURES.
 - 6 BRUSHED METAL FINISH
 - 5 WHITE PC-ABS COLOR
 - 4 NI COMPASS BLUE PC-ABS COLOR
 - 3 NI COMPASS WHITE COLOR
 - 2 THERE ARE 4 HOLES ON EACH SIDE OF CHASSIS FOR OPTIONAL RACK MOUNT KIT.
1. REFER TO PRODUCT MANUAL ON NI.COM FOR MORE DETAILS
- NOTES: UNLESS OTHERWISE SPECIFIED.

UNLESS OTHERWISE SPECIFIED DIMENSIONS ARE IN INCHES AND [MILLIMETERS].	NATIONAL INSTRUMENTS® AUSTIN, TEXAS	
	TITLE	
DO NOT SCALE DRAWING THIRD ANGLE PROJECTION		CUSTOMER DRAWING, PXIE-1078
	SIZE CODE IDENT NO./MM/DD/YYYY	D/7U296 03/15/2017
	SCALE: 1/2	SHEET 1 OF 2 CU.PXIE-1078



COOLING INFORMATION