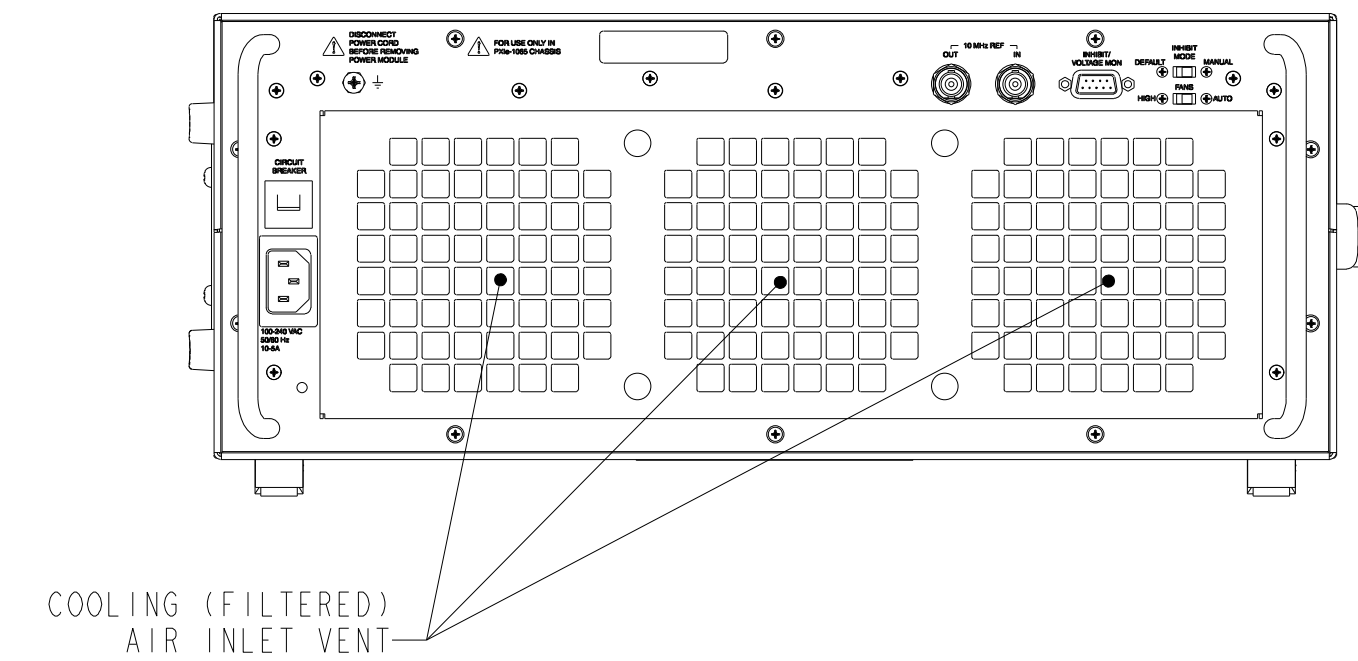
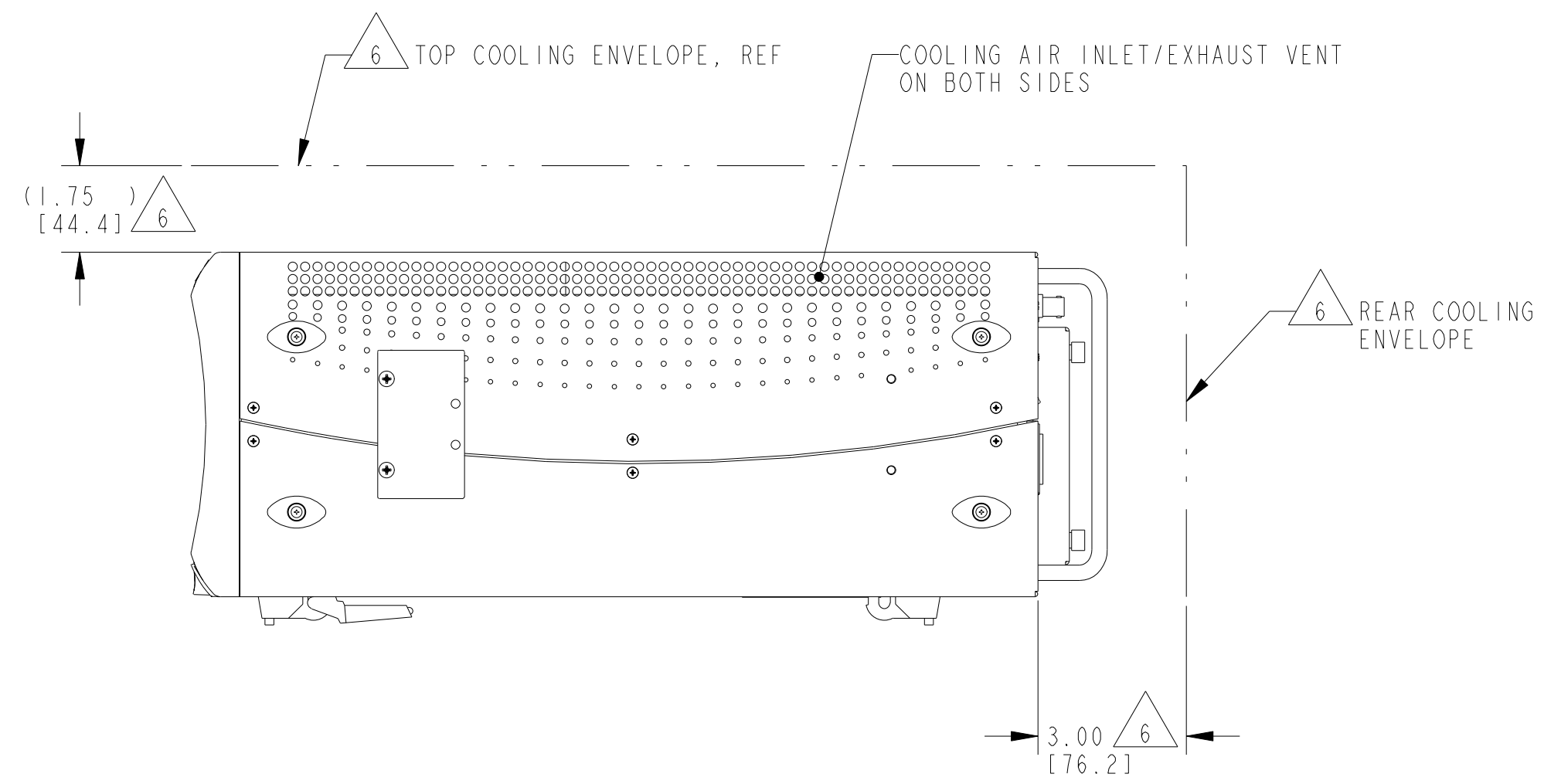
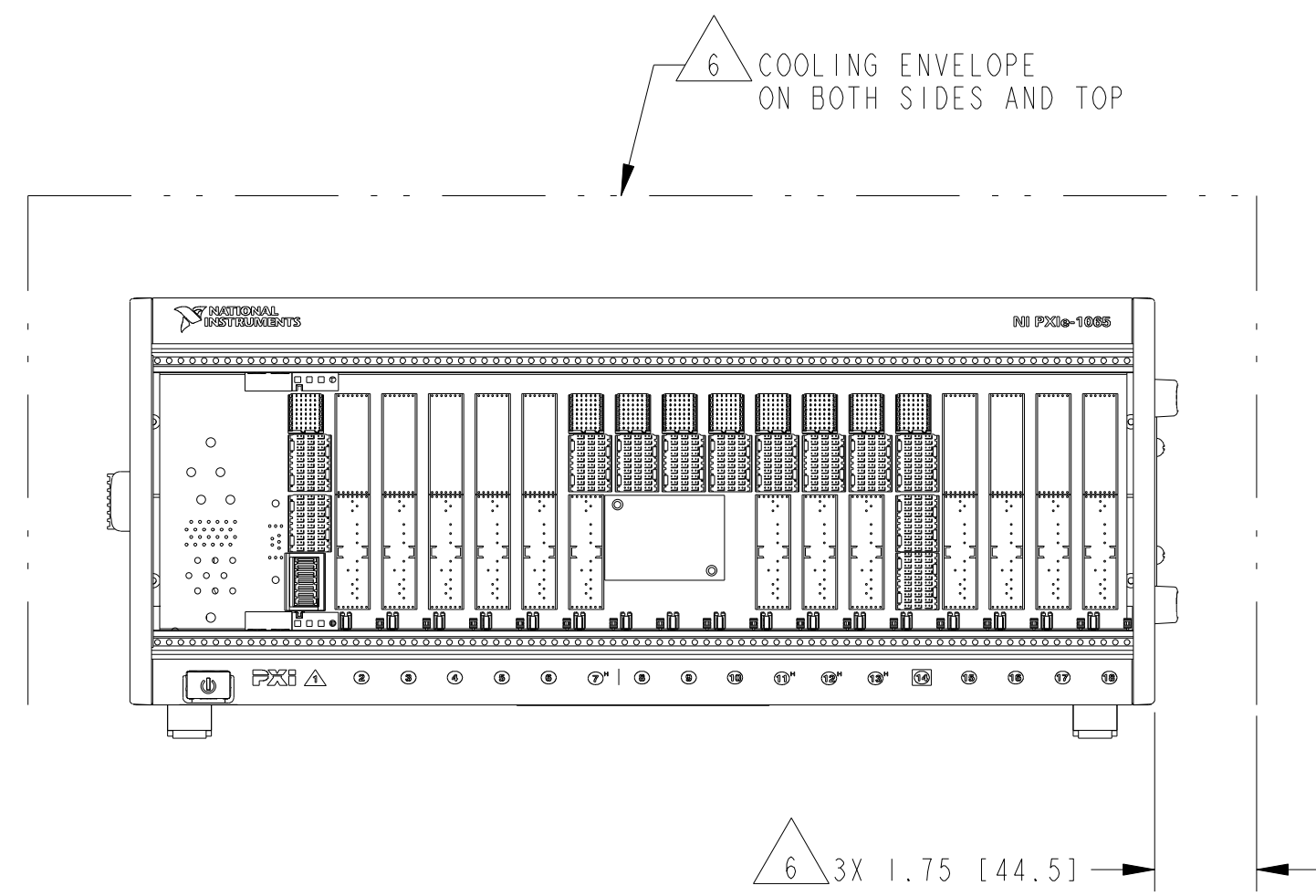
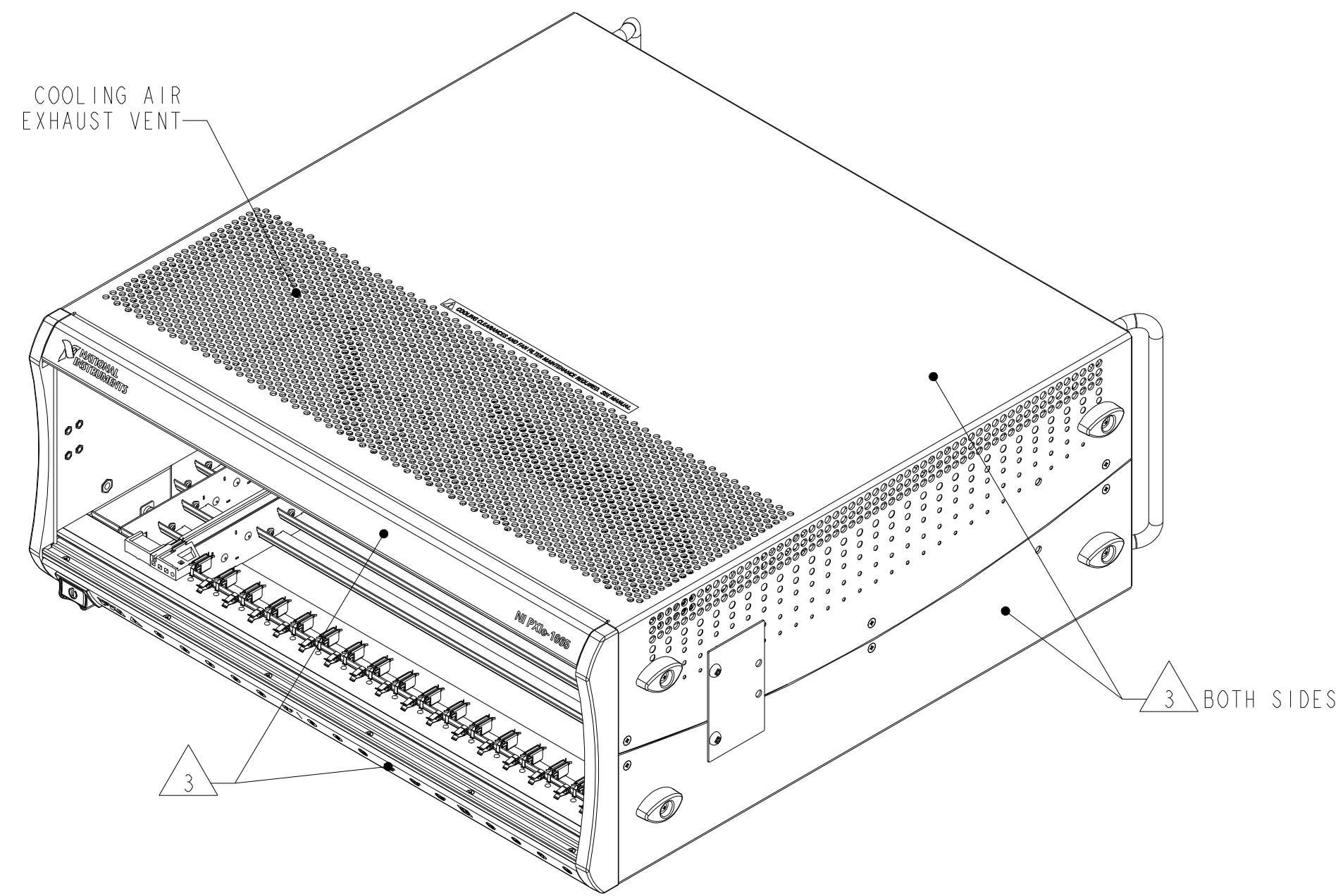


- 7. REFER TO PRODUCT MANUAL ON NI.COM FOR MORE DETAILS.
- 6. USER MUST PROVIDE MINIMUM COOLING/VENTING CLEARANCE AS SHOWN. FAILURE TO PROVIDE THIS CLEARANCE MAY RESULT IN CHASSIS OR MODULE THERMAL RELATED FAILURES.
- 5. WHITE PC-ABS COLOR.
- 4. NI COMPASS BLUE PC-ABS COLOR.
- 3. NI COMPASS WHITE COLOR.
- 2. THERE ARE FOUR HOLES ON EACH SIDE OF CHASSIS FOR OPTIONAL RACK MOUNT KIT.
- 2. FOUR M4 THREAD BOTTOM FEET MOUNTING HOLES MAY BE USED FOR MOUNTING CHASSIS IN CUSTOM APPLICATIONS.

NOTES: UNLESS OTHERWISE SPECIFIED.

UNLESS OTHERWISE SPECIFIED DIMENSIONS ARE IN INCHES AND [MILLIMETERS].	NATIONAL INSTRUMENTS® AUSTIN, TEXAS	
	TITLE CUSTOMER DRAWING, CHASSIS ASSEMBLY, PXIe-1065	
DO NOT SCALE DRAWING THIRD ANGLE PROJECTION	SIZE CODE IDENT NO MM/DD/YYYY D 7U296 02/06/2008	SCALE: 1/3 SHEET 1 OF 2 CU.PXIe-1065



COOLING INFORMATION